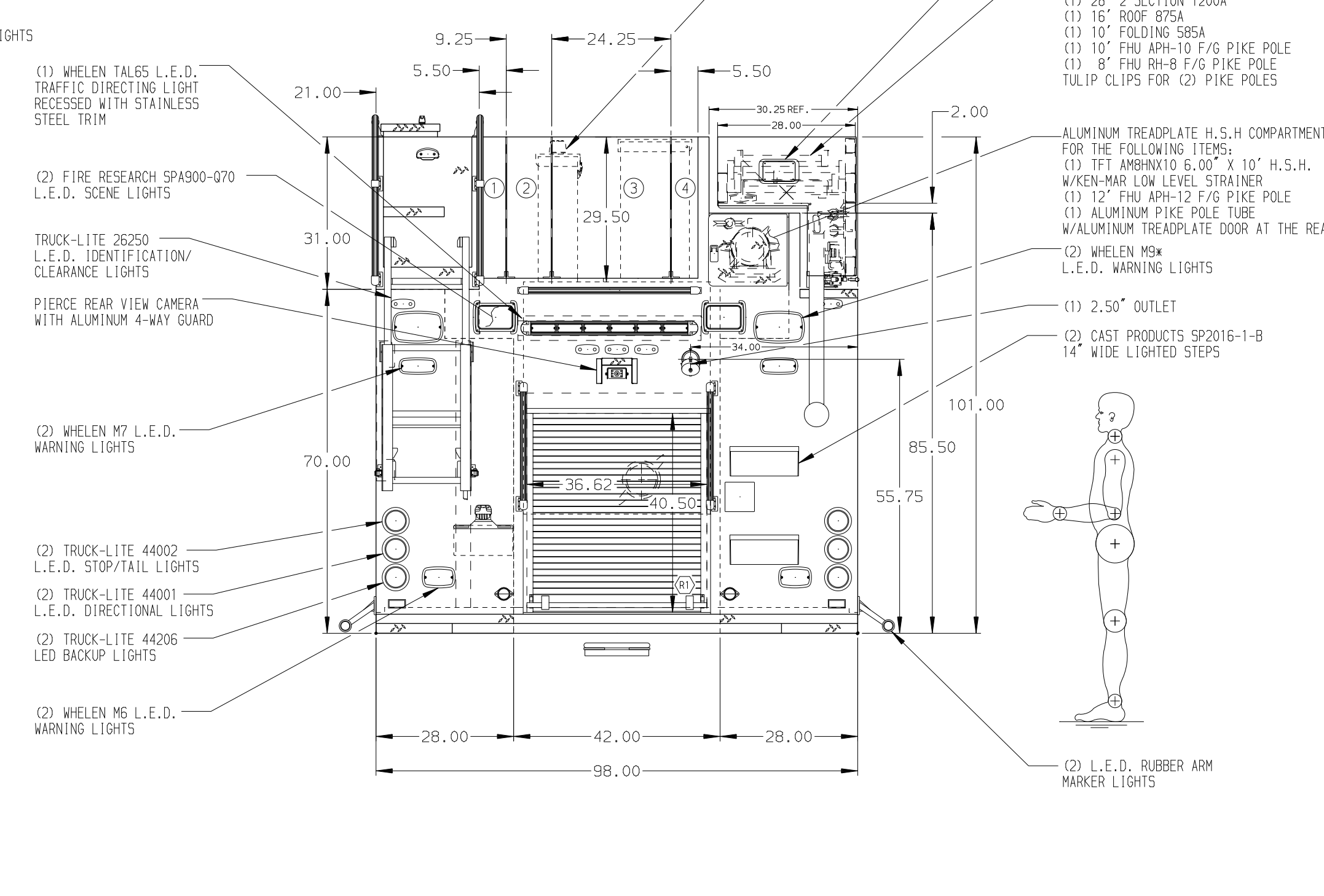
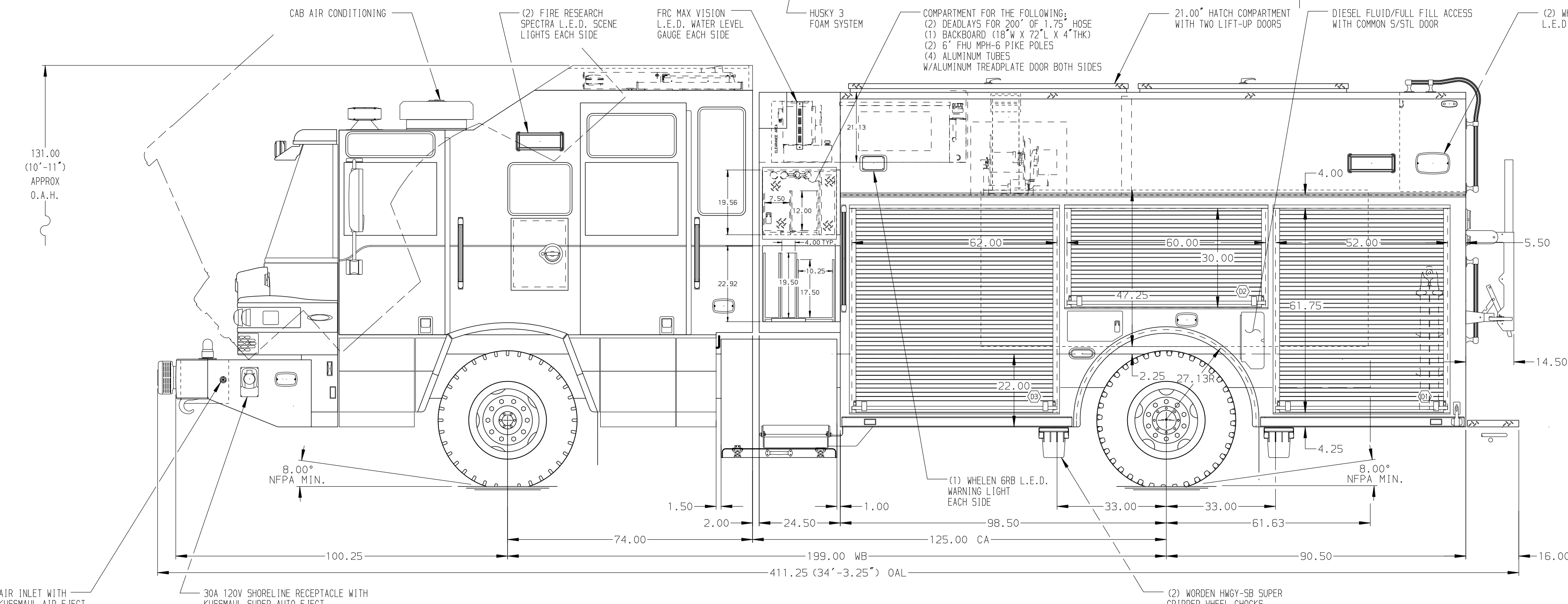


HOSEBED CAPACITIES

①	- 200' OF 2.50" HOSE
②	- 600' OF 2.50" HOSE
③	- 800' OF 5.00" HOSE
④	- 200' OF 2.50" HOSE



STAINLESS STEEL BODY MAXIMUM O.A.H. 134.00" SIDE ROLL AND FRONTAL IMPACT PROTECTION

NOTE
DIMENSIONS SHOWN ARE APPROXIMATE AND ARE SUBJECT TO MINOR DEVIATIONS AS MAY OCCUR OR BE NECESSARY IN CONSTRUCTION. MINOR DETAILS NOT SHOWN.

- ALUMINUM TREADPLATE EXTERIOR REAR WALL OF CAB
- S/STL SCUFFPLATE ON EACH CAB DOOR JAMB
- BATTERY CHARGER/AIR COMPRESSOR LOCATED IN THE CAB
- BATTERY CHARGE INDICATOR LOCATED ON D.S. SEAT RISER
- AMDR L.E.D. COMPARTMENT DUAL LIGHT STRIPS LOCATED PER SHOP ORDER
- ONE PAINTED ADJUSTABLE FULL WIDTH/FULL DEPTH SHELF IN COMPARTMENT D1, D2, D3, P2 & R1; TWO IN P1
- ONE PAINTED ADJUSTABLE TILT/SLIDE-OUT FULL WIDTH/DEPTH TRAY IN COMPARTMENT D3 & P3
- ONE FLOOR MOUNTED SLIDE-OUT TRAY IN COMPARTMENT D3, P1 & P3
- ONE PAINTED FLOOR MOUNTED SLIDE-OUT TRAY WITH SIDE SLIDES IN COMPARTMENT D1
- TWO PAINTED SLIDE-OUT ALUMINUM TOOL BOARDS IN COMPARTMENT D1
- ONE VERTICAL PARTITION IN COMPARTMENT D1 & HATCH COMPARTMENT; THREE IN P3
- CIRCUIT BREAKER PANEL IN COMPARTMENT D3
- SUB FEED BREAKER BOX IN COMPARTMENT D3
- HANAY ELECTRIC REWIND CORD REEL MODEL 1618-17-18 IN HATCH COMPARTMENT WITH 200' OF 10/4 CABLE, AKRON JUNCTION BOX, AND AN ALUMINUM JUNCTION BOX HOLDER
- FRONT MUDFLAPS; REAR MUDFLAPS WITH PIERCE LOGO
- PERIMETER SCENE LIGHTS LOCATED PER SHOP ORDER
- PAINTED FLOOR MOUNTED STORAGE RACK FOR EXTINGUISHERS IN COMPARTMENT P3
- MOUNTING BASES FOR ANTENNAS LOCATED PER SHOP ORDER
- MOUNTING BASE FOR RADIO ANTENNA LOCATED PER SHOP ORDER
- AMDR L.E.D. HATCH COMPARTMENT LIGHT STRIP LOCATED PER SHOP ORDER
- SLIDE-TRAY MOUNTED OIL DRY HOPPER LOCATED IN COMPARTMENT D1
- TWO REMOVABLE ACCESS PANELS LOCATED IN COMPARTMENT D1 & P1
- ONE 6.00" REAR INLET WITH 5.00" PLUMBING AND LONG HANDLE CAP LOCATED IN COMPARTMENT R1
- ONE FOUR-PLACE RECEPTACLE LOCATED IN COMPARTMENT D3 & P3
- ONE FIVE-PLACE RECEPTACLE STRIP LOCATED IN EACH EMS COMPARTMENT
- BRUSHED S/STL SCUFFPLATE ON FRONT OF LIGHT TOWER ENCLOSURE
- SLIDE-TRAY MOUNTED PAINTED ALUMINUM TOOL BOARD IN COMPARTMENT P3
- NYLON STRAP WITH VELCRO IN COMPARTMENT P3
- STORAGE FOR LITTLE GIANT CLASSIC MODEL 13 LADDER LOCATED IN COMPARTMENT D1

REV	DATE	BY	CH	QUANTUM
23APR15	DDO	JBO	MAKE	
24MAR15	DDO	JBO	PIERCE	
23JAN15	DDO	SHA	MODEL	

		JOB NO.	28579
		SCALE	DATE
TITLE 1250-D-750 W/25 GAL FOAM CELL, 189" PUC RESCUE BODY (3) XLAYS, GENERATOR, DELUGE, HYD LADDER RACK		DRAWN BY	DDO
FOR JANESVILLE FIRE DEPARTMENT JANESVILLE, WISCONSIN		CHECKED BY	SHA
DWG NO. 28579AD		SHEET SIZE	SHEET NO.
		D	1 OF 1