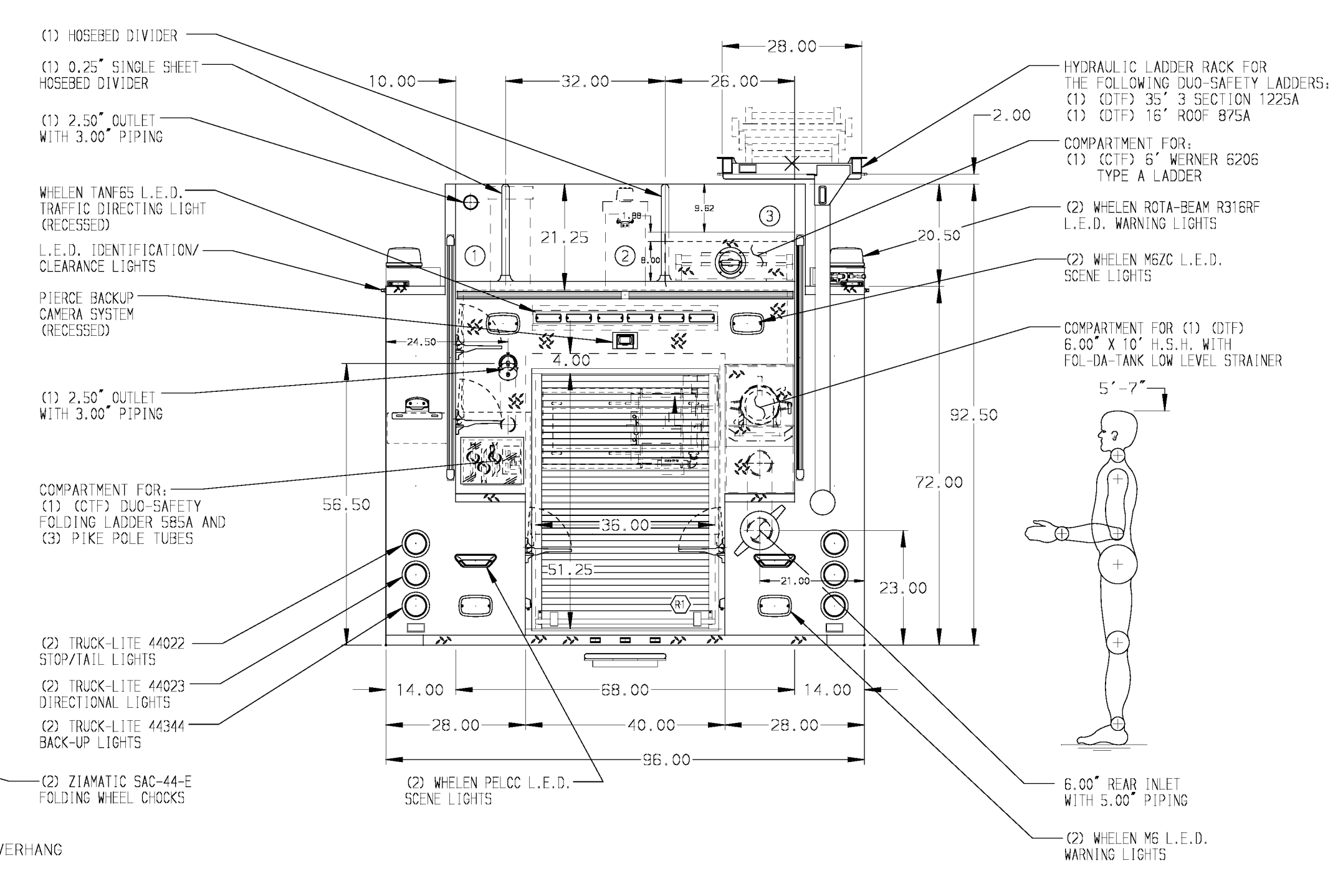
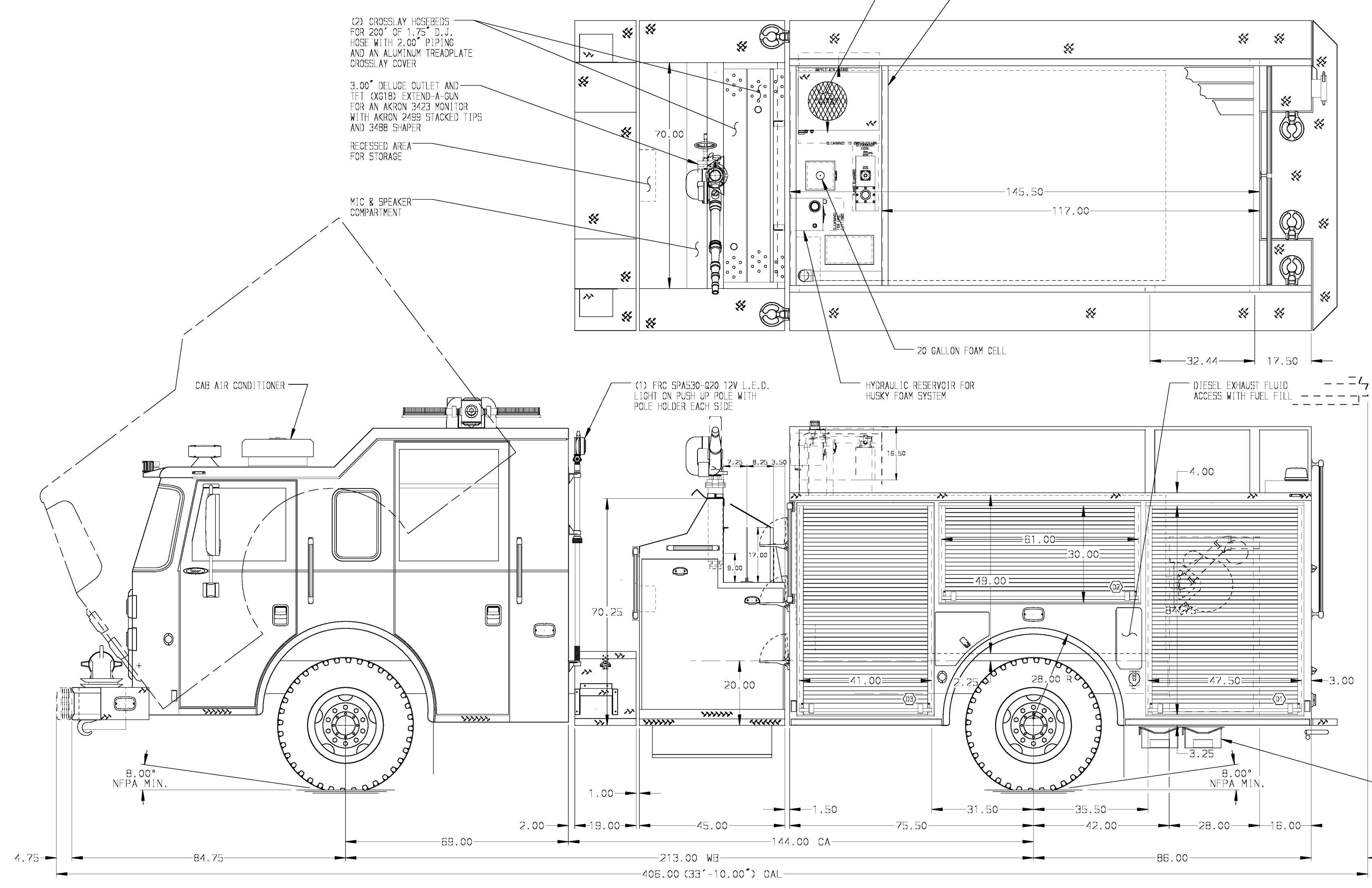


**HOSEBED CAPACITIES**

①	- 400' OF 2.50" D.J. POLY HOSE
②	- 700' OF 5.00" D.J. POLY HOSE
③	- 400' OF 2.50" D.J. POLY HOSE



**ALUMINUM BODY**

**NOTE**  
DIMENSIONS SHOWN ARE APPROXIMATE AND ARE SUBJECT TO MINOR DEVIATIONS AS MAY OCCUR OR BE NECESSARY IN CONSTRUCTION. MINOR DETAILS NOT SHOWN.

1. INSTA-CHAIN AUTOMATIC TIRE CHAINS TO BE PROVIDED AT REAR
2. ALUMINUM TREADPLATE EXTERIOR REAR WALL OF CAB
3. RADIO ANTENNA WITH MOUNTING BASE LOCATED PER SHOP ORDER
4. MOUNTING BASES FOR ANTENNAS LOCATED PER SHOP ORDER
5. BATTERY CHARGER/AIR COMPRESSOR LOCATED BEHIND DRIVER'S SEAT
6. BATTERY CHARGE INDICATOR LOCATED ON D.S. SEAT RISER
7. PERIMETER SCENE LIGHTS LOCATED PER SHOP ORDER
8. AMOR L.E.D. COMPARTMENT DUAL LIGHT STRIPS LOCATED PER SHOP ORDER
9. PAINTED SHELF TRACKS LOCATED PER SHOP ORDER
10. ONE FULL WIDTH/DEPTH PAINTED ADJUSTABLE SHELF IN COMPARTMENT D1, P1 & R1; TWO IN D3 & P3
11. SWING-OUT TOOL BOARD WITH PEGBOARD PATTERN IN COMPARTMENT P2
12. POLY MOUNTING BOARD ON THE REAR WALL IN COMPARTMENT D1, D2, D3, P1, P2 & P3
13. PARTITION BETWEEN COMPARTMENTS DIVA1 AND P1/R1
14. HOT WATER HEATER IN PUMP COMPARTMENT
15. CIRCUIT BREAKER PANEL IN COMPARTMENT D3 PER SHOP ORDER
16. ONE HANRAY ELECTRIC REWIND CORE REEL MODEL 1616-17-18 LOCATED COMPARTMENT R1 FOR 150' OF 10/2 CABLE WITH AKRON JUNCTION BOX
17. PIERCE LOGO MUDFLAPS FRONT AND REAR
18. AIR INLET WITH DISCONNECT COUPLING IN D.S. STEP WELL
19. STAINLESS STEEL FENDER CROWNS FRONT AND REAR
20. SHORELINE RECEPTACLE LOCATED IN D.S. STEP WELL
21. ONE FLOOR MOUNTED SLIDE-OUT TRAY WITH 2" SIDES IN COMPARTMENT D1 & R1
22. ONE 120V 6-PRG RECEPTACLE LOCATED IN EACH CREW CAB EMS COMPARTMENT
23. ONE 120V DUPLX RECEPTACLE LOCATED IN THE CAB

REV	DATE	BY	CH	SABER
03AUG15	DDO	SHE		CHASSIS DATA
13JUL15	DDO	SHE		MAKE
01JUL15	DDO	SHE		PIERCE
29APR15	DDO	CDU		MODEL

		JOB NO.	28834
		SCALE	DATE
<b>TITLE</b> 1500-D-1020 1000 GAL WATER W/20 GAL FOAM; 161" BODY FULL HGT FRNT & REAR FOLDER; HYDRAULIC LADDER RACK FOR KILBOURN VOLUNTEER FIRE DEPARTMENT KILBOURN, WISCONSIN	DRAWN BY	DDO	13APR15
	CHECKED BY	CDU	17APR15
DWG NO.	28834AD	SHEET SIZE	SHEET NO.
		D	1 OF 1