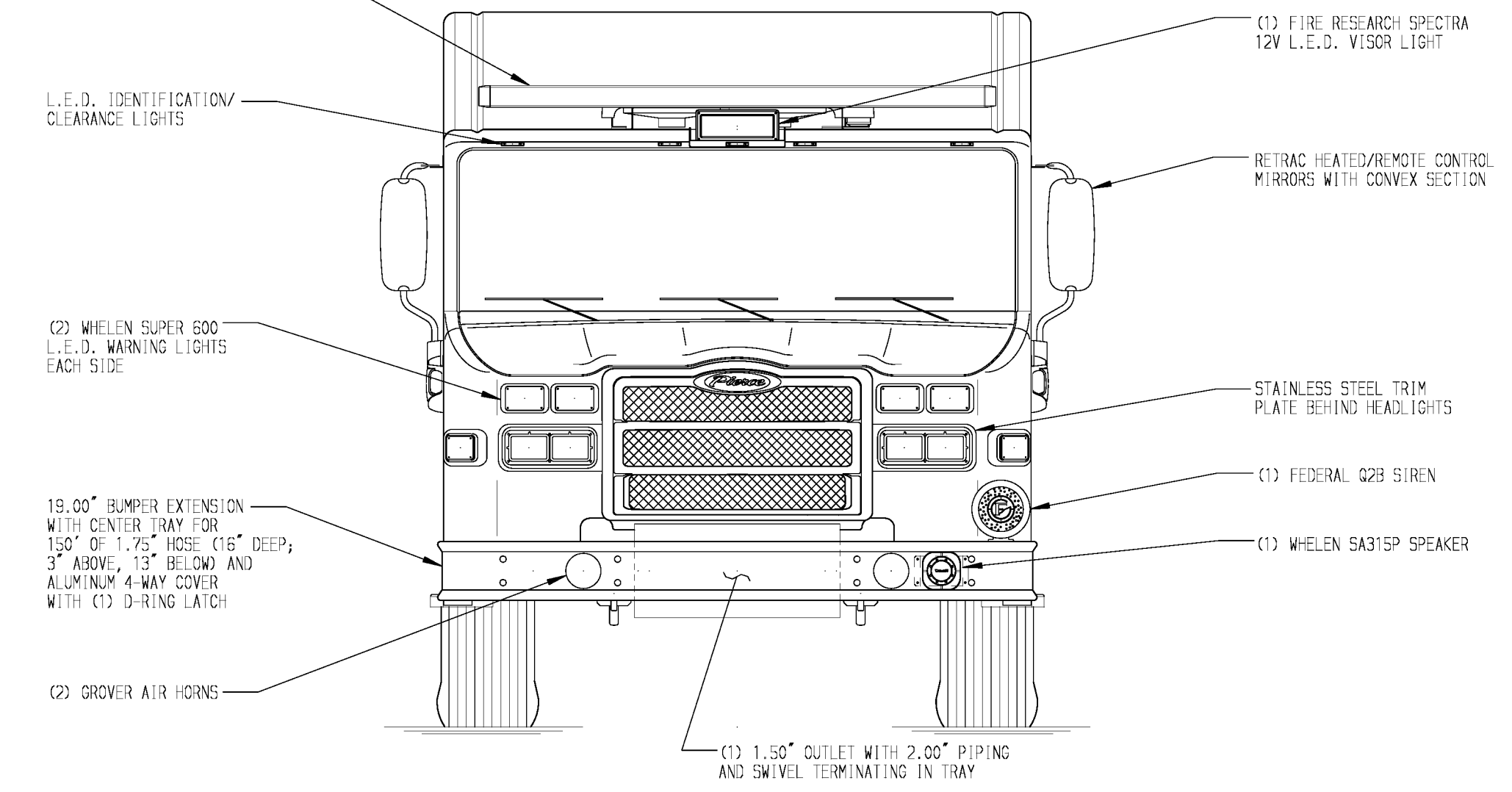
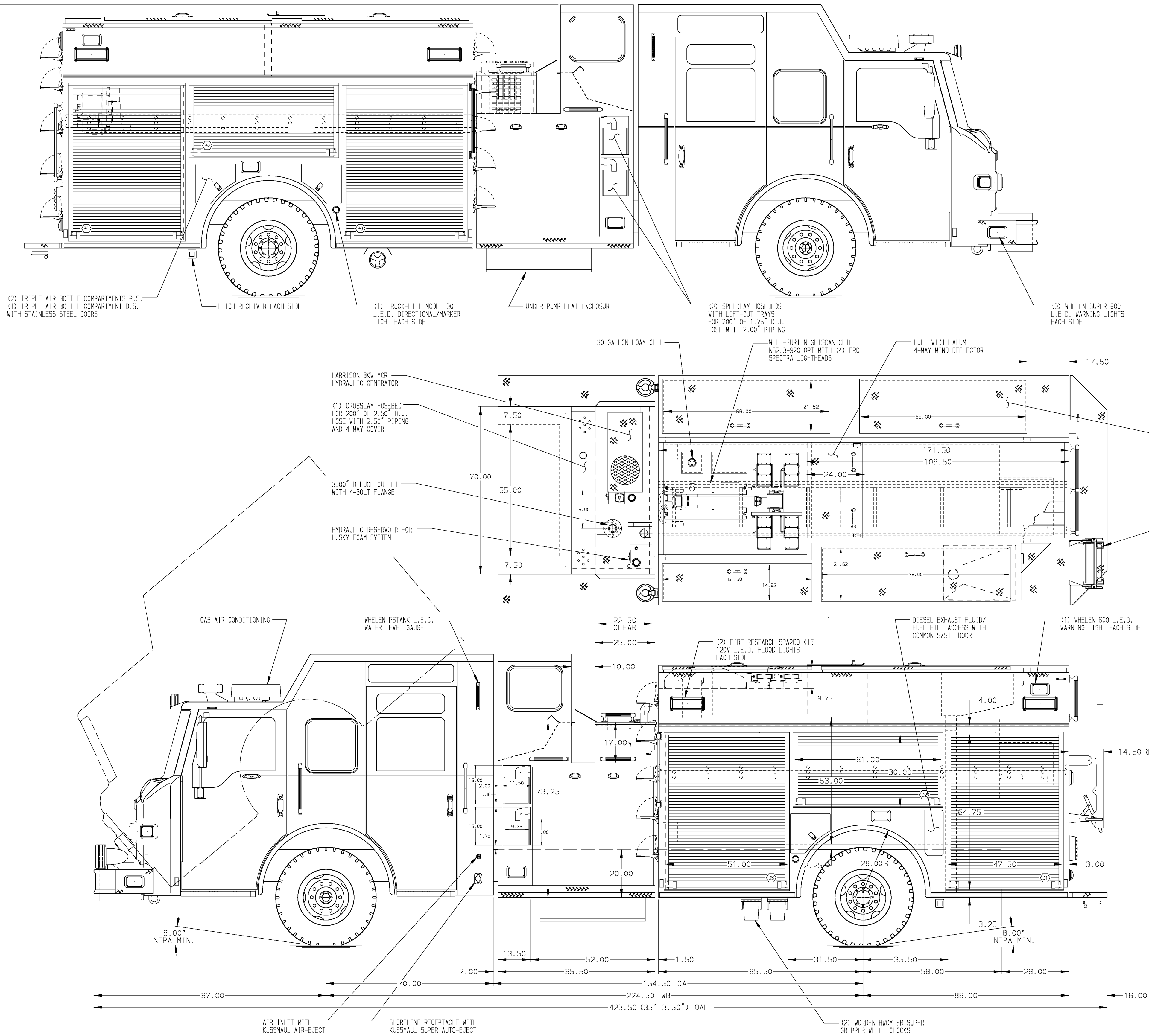
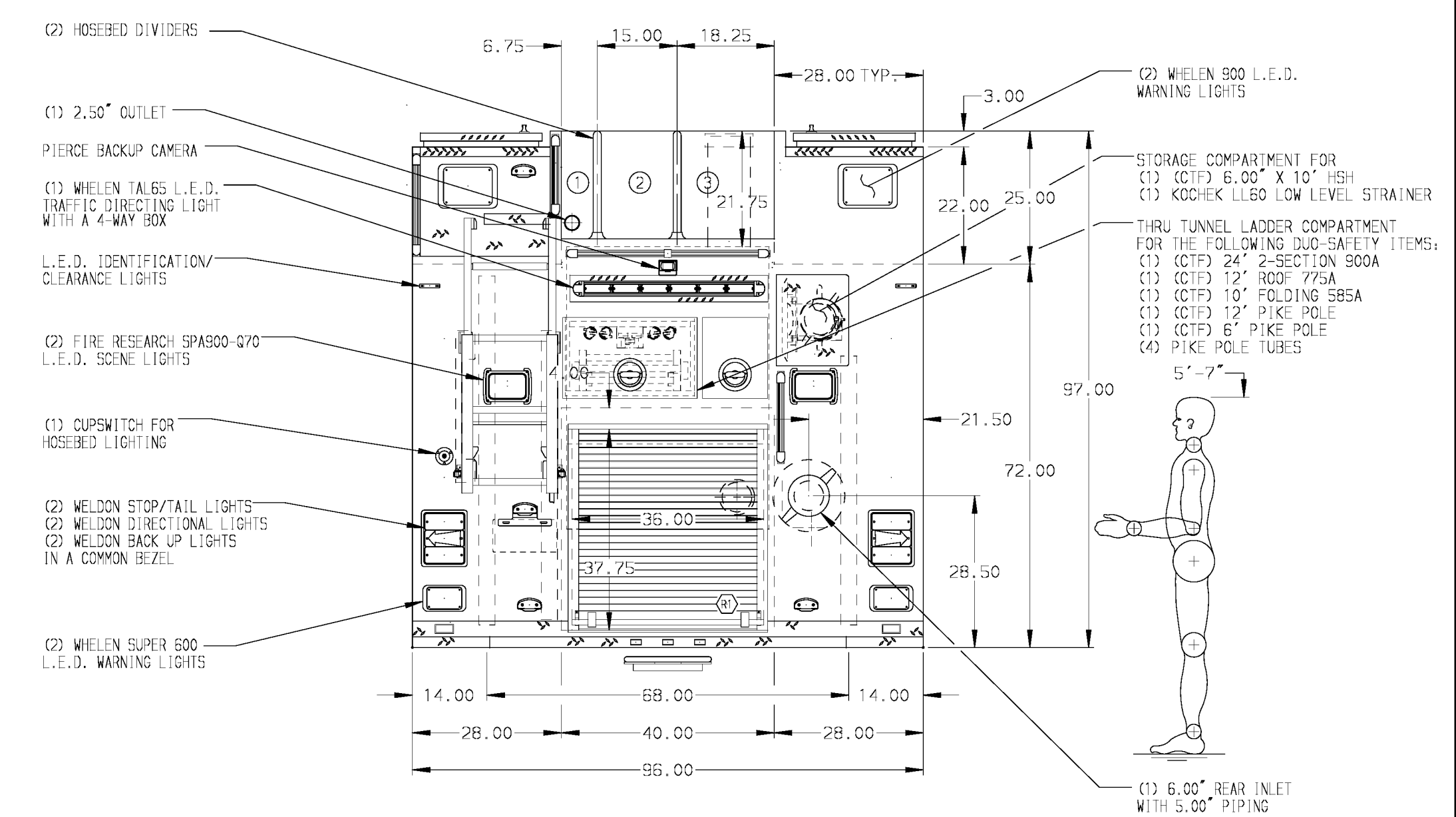


124.00
(10'-4")
APPROX
O.A.H.



HOSEBED CAPACITIES
 ① - 200' OF 2.50" HOSE
 ② - 400' OF 2.50" HOSE
 ③ - 400' OF 5.00" HOSE



ALUMINUM BODY MAXIMUM O.A.H. 124.00"

NOTE
 DIMENSIONS SHOWN ARE APPROXIMATE AND ARE SUBJECT TO MINOR DEVIATIONS AS MAY OCCUR OR BE NECESSARY IN CONSTRUCTION. MINOR DETAILS NOT SHOWN.

- PUMP PANEL DRAWING REQUIRED
- ALUMINUM TREADPLATE EXTERIOR REAR WALL OF CAB
- MOUNTING BASE FOR ANTENNA LOCATED PER SHOP ORDER
- BATTERY CHARGER LOCATED BEHIND DRIVER'S SEAT
- BATTERY CHARGE INDICATOR LOCATED NEAR D.S. SEAT RISER WITH BRACKET
- PERIMETER SCENE LIGHTS LOCATED PER SHOP ORDER
- STAINLESS STEEL FENDER GRABS FRONT AND REAR
- ONE 12V L.E.D. LIGHT STRIP LOCATED ON EACH SIDE IN THE HOSEBED
- PIERCE L.E.D. DUAL COMPARTMENT LIGHT STRIPS LOCATED PER SHOP ORDER
- L.E.D. LIGHT STRIPS IN HATCH COMPARTMENTS
- PAINTED SHELF TRACKS LOCATED IN COMPARTMENT D1, D3, P1, P3 & R1
- ONE ADJUSTABLE FULL WIDTH/FULL DEPTH SHELF IN COMPARTMENT P1, P2 & R1; TWO IN D1, D3 & P3
- ONE FLOOR MOUNTED SLIDE-OUT TRAY IN COMPARTMENT D1, D3 & P1
- ALUMINUM SLIDE-OUT TOOLBOARD WITH PEGBOARD PATTERN IN COMPARTMENT D3
- SLIDE-OUT TOOL BOARD WITH PEGBOARD PATTERN IN COMPARTMENT D2
- ONE VERTICAL PARTITION IN COMPARTMENT D3
- ONE VERTICAL PEGBOARD PARTITION IN COMPARTMENT P3
- ALUMINUM PEGBOARD WITH TRACKS ON THE REAR WALL OF COMPARTMENT D1 & P1
- CIRCUIT BREAKER PANEL IN COMPARTMENT D3
- SUB FEED BREAKER BOX IN COMPARTMENT D3
- ONE HANNAY ELECTRIC REWIND CORD REEL MODEL 1616-17-1B LOCATED IN COMPARTMENT P1 FOR 200' OF 12/3 CABLE, AKRON JUNCTION BOX, AND AN ALUMINUM JUNCTION BOX HOLDER
- MOUNTING BASE FOR RADIO ANTENNA LOCATED PER SHOP ORDER
- 250 LB. OIL DRY HOPPER IN HATCH COMPARTMENT ABOVE D1
- 4-SLOT HORIZONTAL AIR BAG RACK IN COMPARTMENT P2
- ONE 120V DUPLEX RECEPTACLE WITH INTERIOR COVER PLATE LOCATED IN COMPARTMENT D1 & P1
- FOUR 120V DUPLEX RECEPTABLES LOCATED IN THE CAB INTERIOR

REV	DATE	BY	CH	IMPEL FR
11MAY15	DDO	JBO		
31MAR15	DDO	JBO		

		JOB NO.	28648
		SCALE	1:24
Pierce MANUFACTURING INC.		TITLE	1500-D-780 750 GAL WATER W/30 GAL FOAM, 171" FULL HIGHT & DPTH COMPTS, (2) HATCH COMPTS, (2) SPDLYS, (1) XLAY
		FOR	RIVER FALLS FIRE DEPARTMENT RIVER FALLS, WI
DWG NO. 28648AD		DRAWN BY	DDO
		CHECKED BY	SHA
SHEET SIZE D		SHEET NO.	1 OF 1
		DATE	02FEB15
DATE		DATE	03FEB15
		DATE	