

PASSENGER'S SIDE COMPARTMENTS CONTAIN THE FOLLOWING:

COMPARTMENT RBE1 CONTAINS:

- (1) ELECTRIC CORD REEL WITH 200' OF 10/4 BLACK CORD
- (2) STD DEPTH ADJ SHELVES
- (1) IHT SYSTEM HYDRAULIC RESERVOIR
- PAC TRAC ON COMPARTMENT WALLS

COMPARTMENT RBE2 CONTAINS:

- (2) STD DEPTH ADJ SHELVES
- PAC TRAC ON COMPARTMENT WALLS

COMPARTMENT RBE3 CONTAINS:

- (1) RACK FOR 10 AIR BAGS
- (1) STD DEPTH ADJ SHELF
- PAC TRAC ON COMPARTMENT WALLS

COMPARTMENT RBE4 CONTAINS:

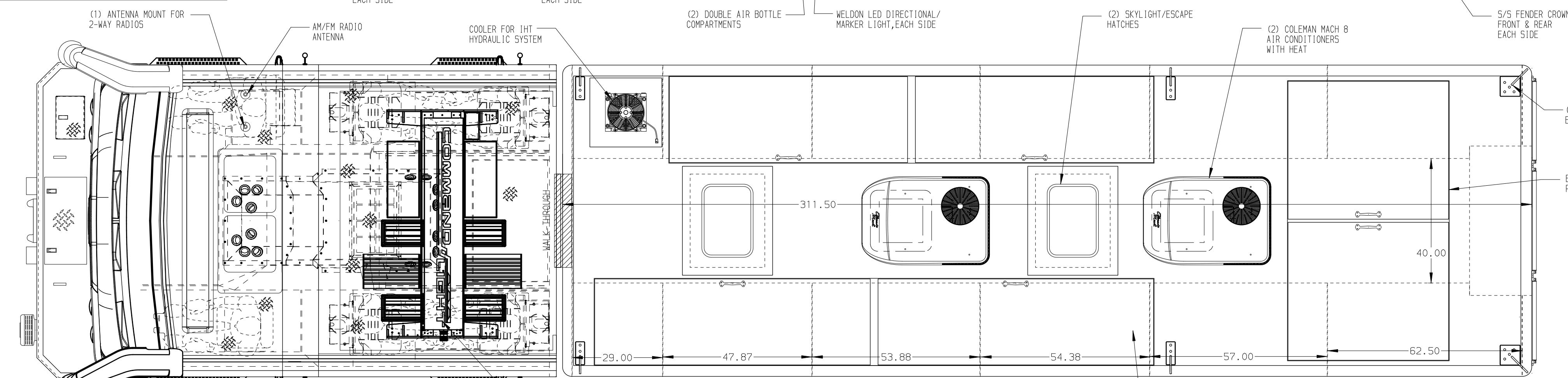
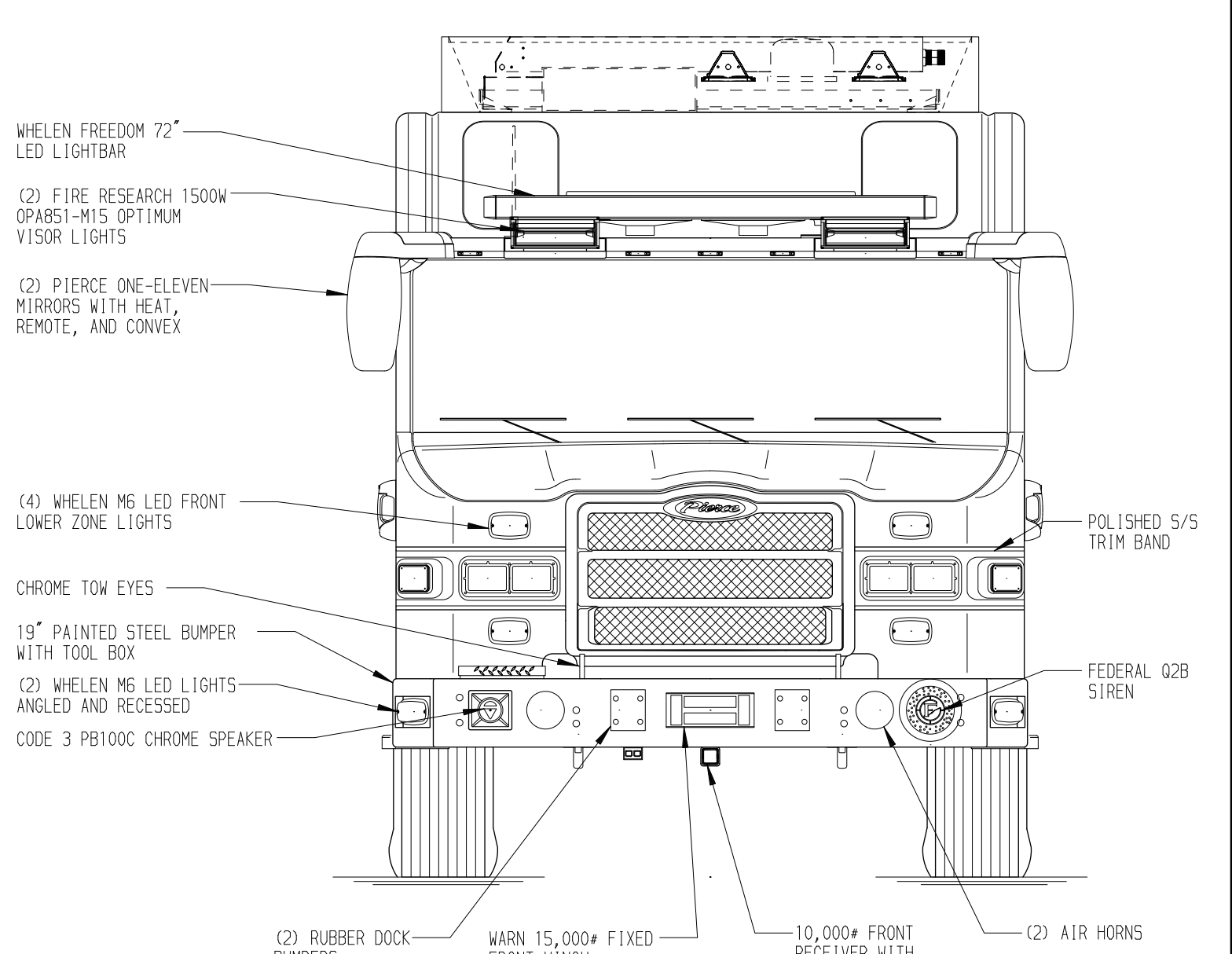
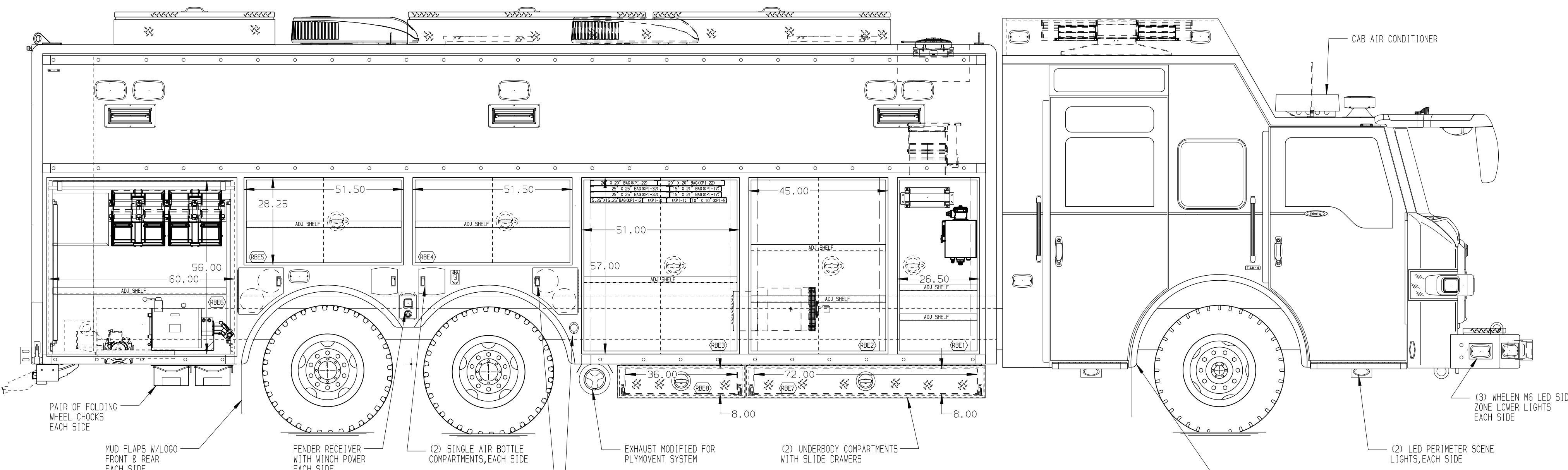
- (1) STD DEPTH ADJ SHELF
- PAC TRAC ON COMPARTMENT WALLS

COMPARTMENT RBE5 CONTAINS:

- (1) STD DEPTH ADJ SHELF
- PAC TRAC ON COMPARTMENT WALLS

COMPARTMENT RBE6 CONTAINS:

- (2) VERTICAL ROLLERS
- (1) TNT QUAD HYDRAULIC POWER SUPPLY
- (2) CMK DUAL HYDRAULIC REEL SETS
- (1) STD DEPTH ADJ SHELF
- (1) "L"-SHAPE DIVIDER



DRIVER'S SIDE COMPARTMENTS CONTAIN THE FOLLOWING:

COMPARTMENT LBE1 CONTAINS:

- (1) KUSSMAUL PUMP PLUS 1200 CHARGER
- (1) CIRCUIT BREAKER PANEL
- (1) GENERATOR METER PANEL
- (1) 30A, 120/240V T.L. RECEPTACLE
- (2) SUB FEED BOXES
- (1) STD DEPTH ADJ SHELF
- PAC TRAC ON COMPARTMENT WALLS
- (1) ELECTRIC CORD REEL WITH 200' OF 10/4 BLACK CORD

COMPARTMENT LBE2 CONTAINS:

- (2) STD DEPTH ADJ SHELVES
- PAC TRAC ON COMPARTMENT WALLS

COMPARTMENT LBE3 CONTAINS:

- (1) VERTICAL COMPARTMENT DIVIDER
- (3) STD DEPTH ADJ SHELVES
- PAC TRAC ON COMPARTMENT WALLS

COMPARTMENT LBE4 CONTAINS:

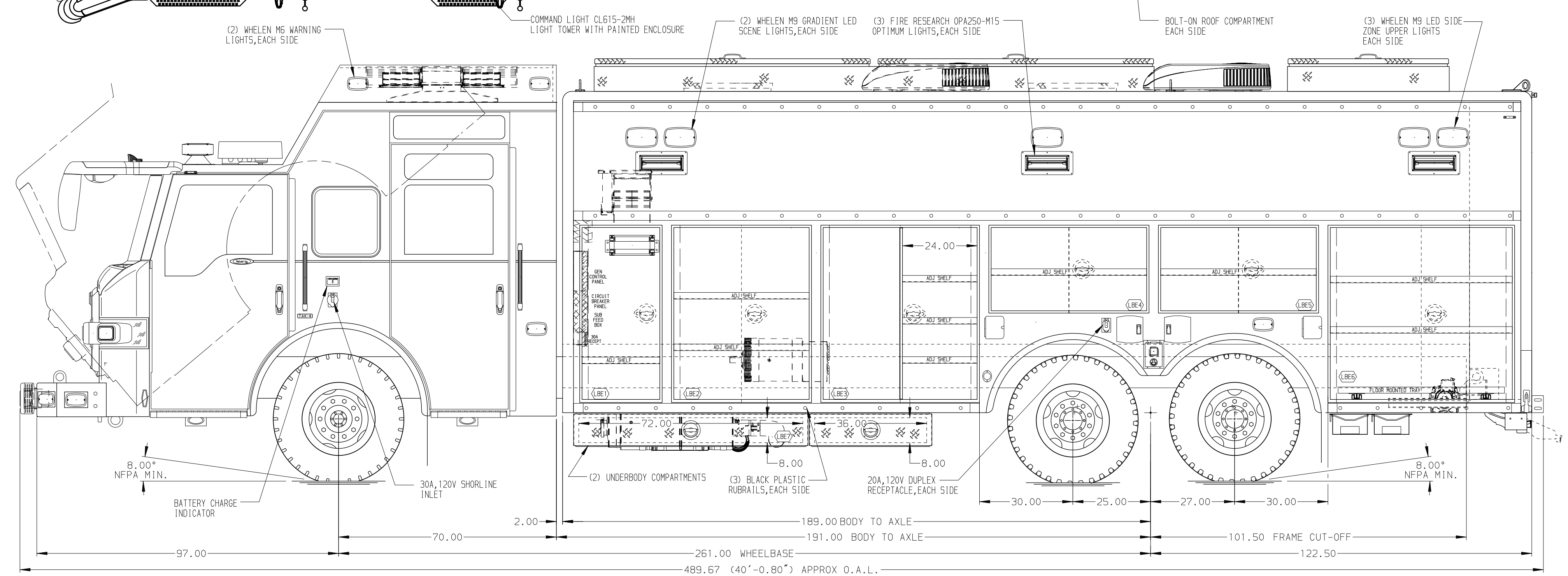
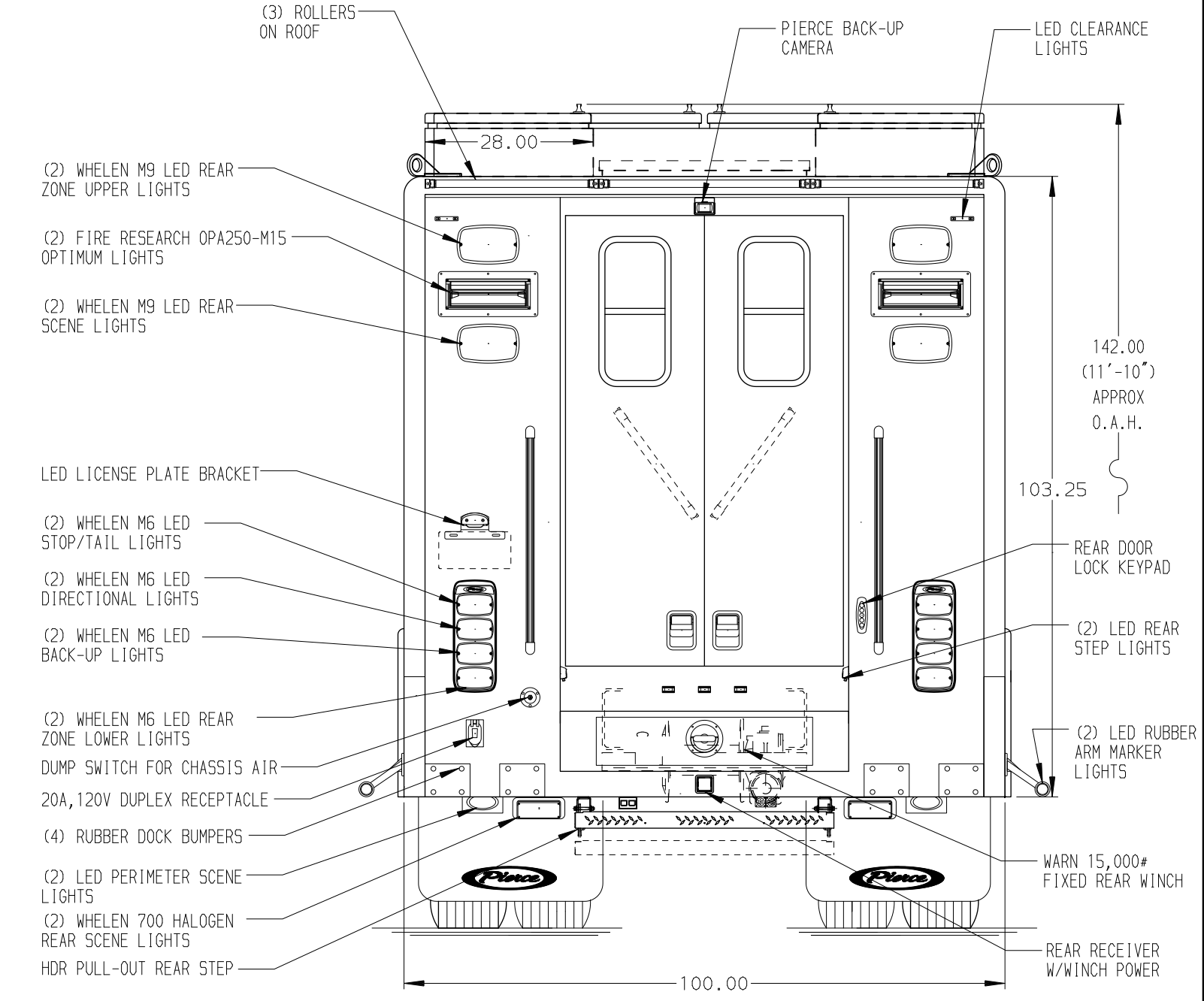
- (1) STD DEPTH ADJ SHELF
- PAC TRAC ON COMPARTMENT WALLS

COMPARTMENT LBE5 CONTAINS:

- (1) STD DEPTH ADJ SHELF
- PAC TRAC ON COMPARTMENT WALLS

COMPARTMENT LBE6 CONTAINS:

- (1) FLOOR MOUNTED TRAY



NOTE
DIMENSIONS SHOWN ARE APPROXIMATE AND ARE SUBJECT TO MINOR DEVIATIONS AS MAY OCCUR OR BE NECESSARY IN CONSTRUCTION. MINOR DETAILS NOT SHOWN.

NOTES:

- RUD AUTOMATIC TIRE CHAINS
- AIR INLET WITH DISCONNECT COUPLING LOCATED IN DRIVER'S LOWER CAB STEP WELL
- ALUMINUM 4-WAY ON CAB ROOF
- FLOOR IN CAB AND CREW CAB TO BE ALUMINUM TREADPLATE
- 20" HIGH S/S BODY CORNERS AT THE REAR OF THE BODY
- (4) "J" HOOKS WITH TRACK SHIPPED LOOSE
- PAC TRAC ON EACH COMPARTMENT WALL AND BACK WALL EXCEPT COMPARTMENTS LBE6 AND RBE6
- AMOR DUAL LED LIGHTS IN EACH BODY COMPARTMENT
- POLISHED S/S SOUFFRATES ON CAB DOOR JAMBS
- ONAN 35kW SINGLE PHASE PTO DRIVEN GENERATOR LOCATED BETWEEN THE FRAME RAILS

MAXIMUM O.A.H. 12'-0"
MAXIMUM O.A.L. 41'-0"
SIDE ROLL & FRONTAL IMPACT PROTECTION

NOTE:
LAP DOORS HAVE BEEN SHOWN IN HIDDEN LINES TO CLEARLY IDENTIFY THE EQUIPMENT IN EACH COMPARTMENT. DASHED LINES ON SIDES ARE DOORS IN OPEN POSITION

REV	DATE	BY	CH	CHASSIS DATA
				MAKE
				PIERCE
				MODEL
				VXFR7020

Pierce MANUFACTURING INC.

JOB NO. 27616
SCALE 1:24
DATE
DRAWN BY DHE 18FEB14
CHECKED BY MPE 19FEB14
SHEET SIZE D SHEET NO. 1 OF 1

TITLE HEAVY DUTY RESCUE WALKIN
FOR COLORADO SPRINGS FIRE DEPARTMENT COLORADO SPRINGS, CO
DWG NO. 27616AD-SH1