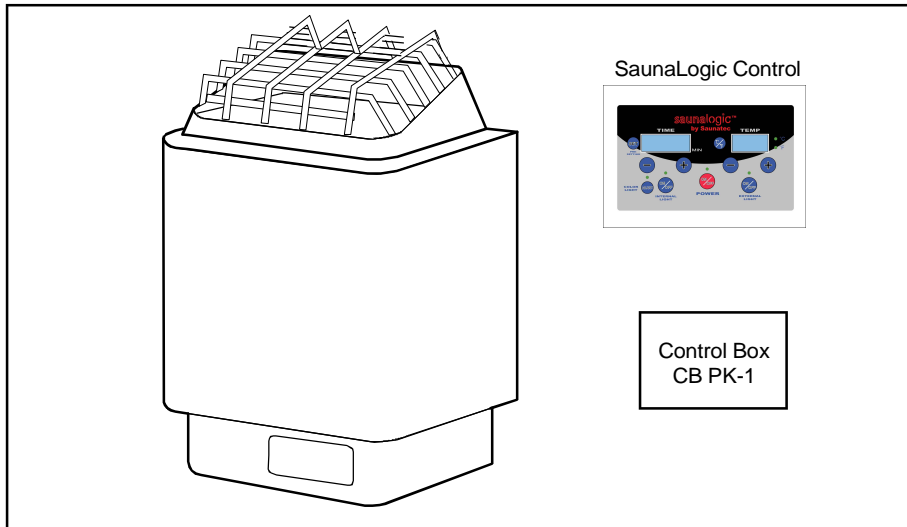


INSTALLATION AND OPERATING INSTRUCTIONS



"Viki" Heater Sauna Series Models 4.5, 6.0, 8.0 (1720-45-02, 1720-60-02, 1720-80-02) with "SaunaLogic" Control

Read all instructions carefully before installation.
Please leave all instructions and warranty with the owner.

WARNING

Prolonged exposure to elevated temperatures is capable of inducing hyperthermia. Hyperthermia occurs when the internal temperature of the body reaches several degrees above the normal body temperature of 98.6°F. The symptoms of hyperthermia include an increase in the normal temperature of the body, dizziness, lethargy, drowsiness, and fainting. The effects of the hyperthermia include failure to perceive heat, failure to recognize the need to exit the room, unawareness of impending hazard, fetal damage in pregnant women, physical inability to exit the room and unconsciousness.

WARNING

The use of alcohol, drugs, or medication is capable of greatly increasing the risk of fatal hyperthermia.

SECTION 1: GENERAL INFORMATION

These heaters are ETL approved for permanent installations and electrical connections. Built with splash proof construction, the conducting parts are protected against water. All wiring must be performed in accordance with national and local codes. See Diagram 2 for wire and room size requirements. These heaters are wall mounted.

WARNING

Do not take a sauna if using alcohol, drugs or medications.

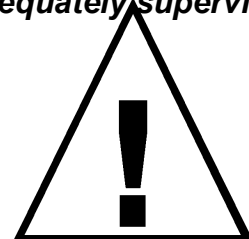
Pregnant women or persons with poor health should consult their physician before using any sauna.

Caution fire hazard: Do not use the sauna room for drying clothes, bathing suits, etc. Do not hang towels above heater or place any object other than the rocks supplied on the heater. If any darkening of the wall around the heater is noticed discontinue sauna use immediately.

Inspect sauna regularly for required maintenance to heater, control and benches. Replace wood surfaces which show any signs of deterioration.

The heater gets extremely hot during operation and should not be touched or burns may result.

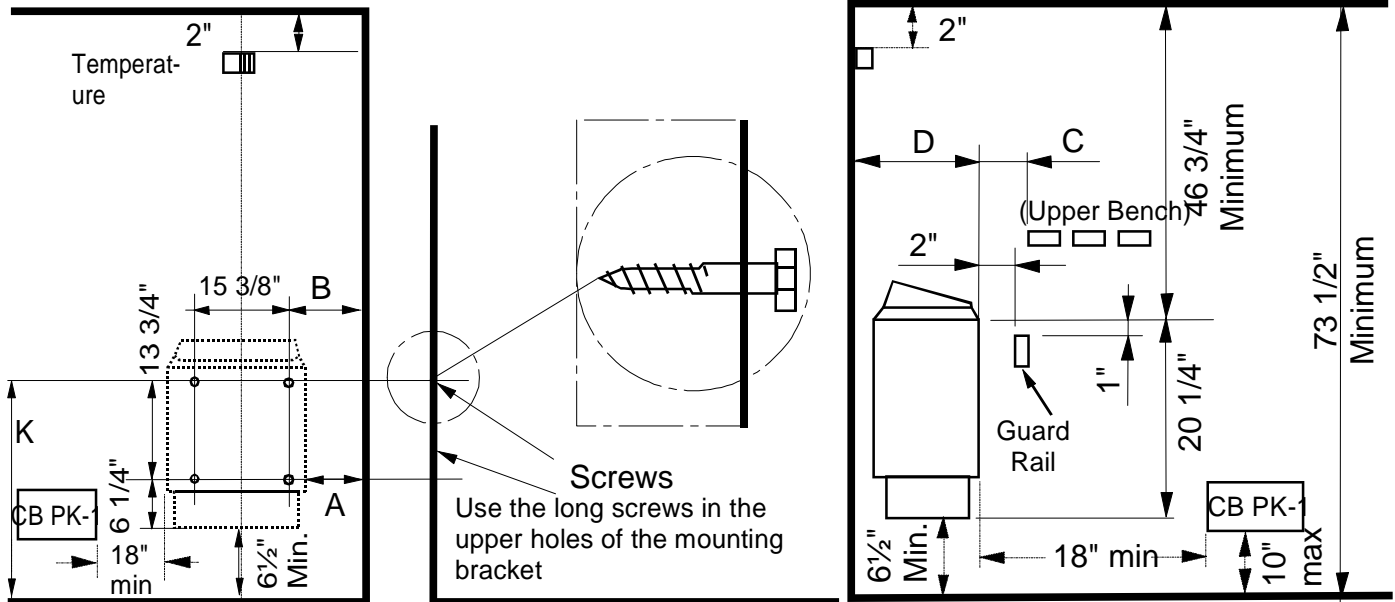
Minors should be adequately supervised



INSTALLATION AND OPERATING INSTRUCTIONS

DIAGRAM 1

MOUNTING BRACKET LOCATION AND MINIMUM DISTANCE TO COMBUSTIBLE MATERIAL



Recheck your distances from the heater to combustible materials to be sure you have the proper minimum distances.

! OBSERVING MINIMUM DISTANCES IS REQUIRED TO REDUCE FIRE HAZARD

HEATER	MINIMUM				
	'A' DISTANCE	'B' DISTANCE	'C' DISTANCE	'D' DISTANCE	'K' DISTANCE
Viki 4.5	3"	4"	4"	12 1/4"	26 1/2"
Viki 6.0	4"	5"	5"	12 1/4"	26 1/2"
Viki 8.0	5"	6"	6"	12 1/4"	26 1/2"

DIAGRAM 2

HEATER MODEL/ Product Number	KW	MINIMUM ROOM			MAXIMUM ROOM		PHASE	VAC	AMPS	WIRE SIZE	
		Floor Area	Ceiling Height	Volume Cu.Ft.	Ceiling Height	Volume Cu.Ft.				Power Supply to CB PK-1	CB PK-1 to Heater
Viki 4.5 1720-45-02	4.5	12 sq. ft.	73 1/2"	100	96"	210	1	208	21.6	2 # 10AWG+ GR	2 # 10AWG+ GR
							1	240	18.8	2 # 10AWG+ GR	2 # 10AWG+ GR
							3	208	12.5	3 # 12AWG+ GR	3 # 12AWG+ GR
							3	240	10.8	3 # 12AWG+ GR	3 # 12AWG+ GR
Viki 6.0 1720-60-02	6	21 sq. ft.	73 1/2"	175	96"	310	1	208	28.8	2 # 8AWG+ GR	2 # 8AWG+ GR
							1	240	25	2 # 10AWG+ GR	2 # 10AWG+ GR
							3	208	16.7	3 # 12AWG+ GR	3 # 12AWG+ GR
							3	240	14.4	3 # 12AWG+ GR	3 # 12AWG+ GR
Viki 8.0 1720-80-02	8	31 sq. ft.	73 1/2"	250	96"	425	1	208	38.5	2 # 8AWG+ GR	2 # 8AWG+ GR
							1	240	33.3	2 # 8AWG+ GR	2 # 8AWG+ GR
							3	208	22.2	3 # 10AWG+ GR	3 # 10AWG+ GR
							3	240	19.2	3 # 10AWG+ GR	3 # 10AWG+ GR

SECTION 2: MOUNTING OF SAUNA HEATER AND PK-1

HANGING THE HEATER Using the template provided, drill four 9/64" holes to fasten the heater to the wall. Install two of the four 1/4" x 1 1/8" hex head lag screws (supplied with the heater) into the upper two holes. Tighten these screws until their heads are about 1/8" from the wall surface. The screws must be threaded through the wall into a framing member or backing board to support the heater weight. Hang the heater on the two upper screws. Locate the other two 1/4" x 1 1/8" hex head lag screws (supplied with the heater); install them into the two lower mounting holes. Tighten to lock the heater in place. See Diagram 1 for the heater location details and the necessary clearances to combustible materials.

Remove the cover of the PK CB-1 Control Box to gain access to the 4 mounting holes in the back of the box. The control box can be mounting inside the sauna room on a wall according to Diagram 3. Or it can be mounted outside the sauna room. Locate the 4 screws 3/16 x 3/4" supplied into the 4 mounting holes. (See Diagram 3)

SECTION 3: PLACING OF ROCKS (SEE DIAGRAM #10)

The rocks supplied with the heater have been chosen to provide the best heater performance. Use of any other type of rock may void the heaters warranty. Never operate the heater without rocks in place! Rinse the rocks with water before placing in the heater. Carefully place the rocks loosely so that the air can circulate through the heater. Packing the rocks too tightly may cause the heater high limit switch to trip. The rocks must fully cover the heating elements. Attach the guard with the screws provided.

SECTION 4: ELECTRICAL HOOK-UP

Electrical installation must be made by a licensed electrician in accordance with the National Electrical Code and local regulations.

Remove the screws from the CB PK-1 control box to access the electrical connections. Route the wires through the holes provided on the bottom of the control box and connect the wires to the terminal block. To determine the correct wire size, refer to Diagram 2. Use copper supply wire only, suitable for minimum 90 degrees C. The heater must be grounded! See Diagram 6 for proper connections.

SECTION 5: TEMPERATURE SENSOR

Feed the 17 ft "low voltage" sensor wire from the sensor location to the control box (CB PK-1) location. Sensor wire must be routed completely separate (as per low voltage electrical wiring codes) from any wiring carrying over 50 volts. It may be necessary to drill holes to string the wire through the studs or ceiling joists.

Using a flat tip screwdriver, unsnap sensor cover from sensor. Mount sensor to a finished wall directly above heater and two (2) inches down from ceiling using two (2) screws (provided) as shown in Diagrams 1, 3 & 5. Connect wires into CB PK-1 on the 3 pin plug labeled "JT2" of the circuit board.

WARNING

Fire sprinkler systems used inside any sauna room should be properly rated for sauna room temperatures.

Do not pour chlorinated pool or spa water on heater.

Excessive water use on heater may cause damage and void warranty.

Do not install a shower in the sauna room.

Electric Shock Hazard - High voltage exists within this equipment.

There are no user serviceable parts in this equipment. All installation and service to this equipment should be performed by qualified licensed personnel in accordance with local and national codes.

Do not construct sauna room so as to restrict air flow through the bottom of the heater.

Packing the rocks too tightly may cause the heater high limit switch to trip.

DIAGRAM 3

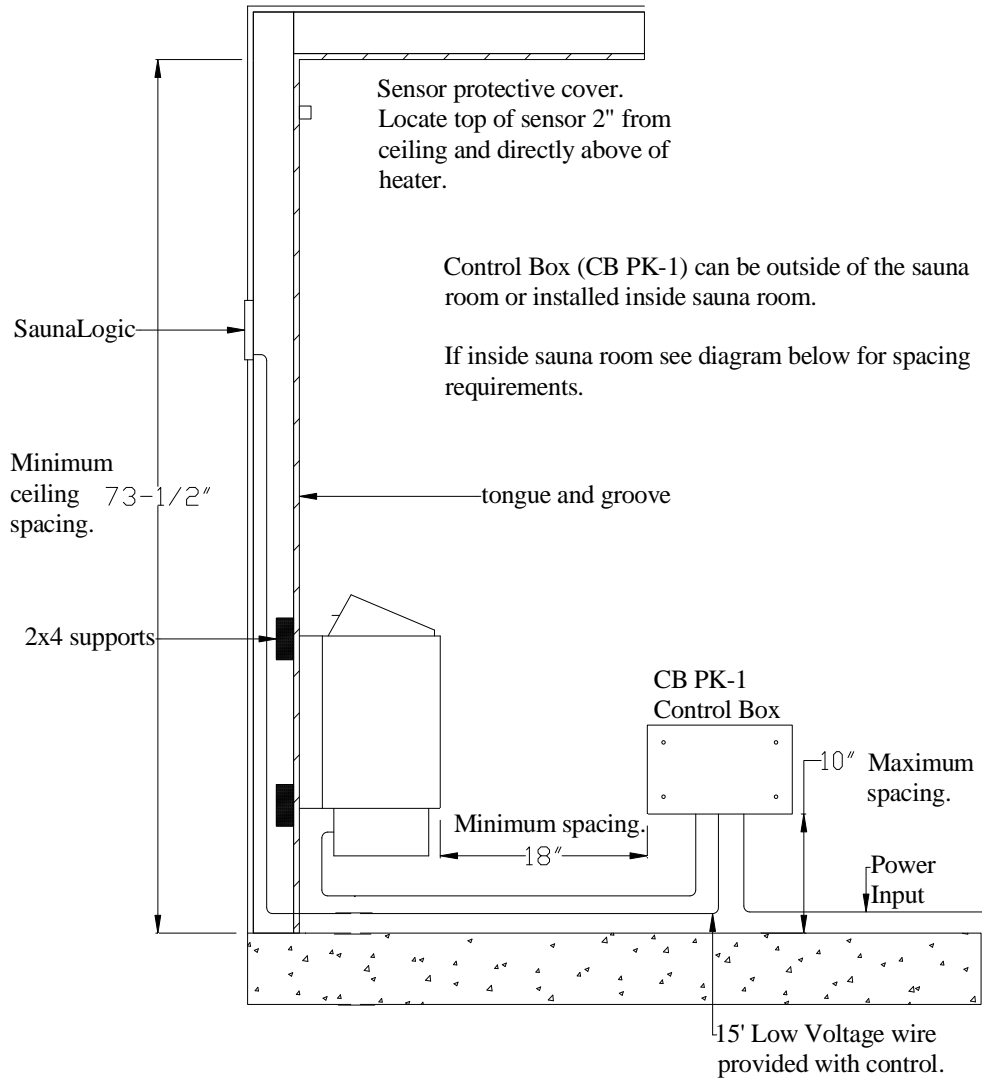
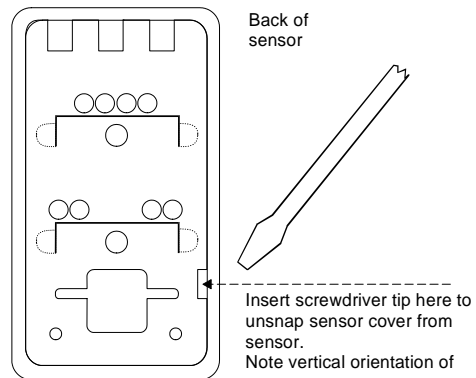


DIAGRAM 4

SaunaLogic Control



DIAGRAM 5



SECTION 6: HEATER SCREEN (GUARD RAIL)

Install a wooden heater guard to prevent the sauna bather from accidentally touching the sauna heater. Install the heater guard rail with the dimensions shown in Diagram 8.

SECTION 7: SAUNALOGIC CONTROL INSTALLATION & OPERATION

INSTALLATION ROUGH IN The SaunaLogic control must be mounted outside the sauna room in a dry environment.

To mount the control cut an 1" hole in the wall behind control location. Route the control wire from CB PK-1 to the control. *Note: Use the factory supplied cable only! Do not staple through or otherwise damage the cable!* Connect the control cable to the SaunaLogic and secure the control to the wall by 2 mounting screws provided.

Connect the other end of the control cable through the electrical access hole on the bottom of the control box and connect it to "JT1".

OPERATION When power is connected to the heater, the room temperature setting is automatically preset to 176°F and the bath time is set to 60 minutes. These settings are adjustable (as described below) from 125° to 194° and from 0 to 60 minutes and any changes are remembered by the heater for your next bath. Should the heaters power be lost then restored, the settings will return to their default values.

With the power to the heater turned on, press the control ON/OFF button once. The room temperature will be displayed on the control. The heater will turn on and begin heating the room. Once the selected bath temperature is reached, the heater will turn heater on and off again as needed to maintain the desired temperature. At the end of the selected time, the control will turn itself off and the control display will turn off.

SETTING THE TIME AND TEMPERATURE

To set the time, press the control ON/OFF button to turn on the heater. Press the TIME "+" or "-" buttons on the control to increase or decrease time for desired setting. The maximum of time is 60 minutes.

To set the temperature, press the control ON/OFF button to turn on the heater. Press the TEMP "+" or "-" buttons on the control to increase or decrease temperature for desired setting. The maximum temperature is 194°F (90°C).

WARNING

Do not locate benches over heater. Refer to Diagram 1 for minimum clearance of ceiling above heater.

Minimum clearance from heater to wooden surfaces (benches, side walls, heater fence etc. refer to Diagram 1). Mounting brackets supplied. Provides proper clearance from wall behind heater.

Use only copper wire of the size and type indicated in the Heater Specification Chart and the temperature rating indicated on the heater junction box.

All heaters and controls must be grounded per NEC to prevent electrical shock in case of unit failure.

Electrical outlets or receptacle must not be installed in a sauna room.

A guardrail or fence is required around the heater to prevent burns from accidental contact.

TO PROGRAM A DELAY START

Turn your control on by pressing the power button, in the center of the control pad. Press the "set" button, directly to the left of the time display window until your display shows a flashing semi-colon in between the 4 digits. Example: 00:45.

Use your +/- keys to adjust the time to the desired amount of delay before the sauna starts. Example: to program an 8 hour and 30 minute delay you would have display like this: 08:30. At this point you may simply walk away, (do not turn the control off). The control will time down for the programmed amount of delay and then start on it's own.

Note: Always remember that if you have the flashing semi-colon in your time display, you are in the delay start mode. Use the "set" button to toggle between delay and instant start.

SECTION 8: LIGHT INSTALLATION

The Saunalogic control is **ONLY** capable of operating the Spectr-Light kit. Spectra-Light kits are available as an accessory and come with 3 internal color therapy, 2 interior white and 3 exterior white lights. These lights are connected directly to the CB PK 1 contactor box using wiring harnesses supplied with the Spectra-Light kit. Once installed the Saunalogic control has three buttons built in to control the three various light circuits. Special wiring harness extensions are available to make minor changes to bulb placement.

Note: Any other lighting options or packages that are used will require a separate switching device and additional light distribution and power circuits to be run.

SECTION 9: HIGH LIMIT CONTROL (RESET BUTTON)

The sauna heater has a built-in high limit control, which automatically turns off the heater if the temperature inside the sauna room rises to an abnormally high level.

The Saunalogic control will display "HL" if the high limit control has shut the heater off. To restart the heater, let the heater cool, then push the "On/Off" button on the control panel. If the high limit continually shuts off the heater, contact a service representative at 1-800-780-4427 for additional support.



Shower



Sauna (10 - 15 min.)



Shower or swim



Rest (10 - 15 min.)



Relax with juice or water

You liked it?
Do it once again and
you will feel great.

SECTION 10: HOW TO TAKE A SAUNA

- ~ When taking a sauna, allow time to relax completely.
- ~ Remove clothing and jewelry...if required, wear a towel loosely.
- ~ After 10 minutes or when perspiration begins, leave sauna and relax in dressing area...follow with a cool shower.
- ~ Cooling time should equal time spent in sauna. Enter sauna room again and stay 5 or 10 minutes.
- ~ Repeat the cycle 2 or 3 times; end with a brisk shower...rinse in cool water.
- ~ Dress when completely dry and perspiration has stopped.
- ~ Some sauna bathers enjoy the soothing effect of steam by splashing water on the heated sauna rocks. Use only one dipper full (approximate ½ cup) at a time and keep clear of the steam as it rises off the rocks.
- ~ Do not smoke, exercise or drink alcoholic beverages in the sauna room.
- ~ Do not pour chlorinated pool or spa water on the heater or corrosion damage may result.

SECTION 11: WARNING PLACARDS

Two metal placards are included in the Installation Instruction Envelope packaged with every Sauna Heater. The CAUTION placard must be attached to the interior wall of the sauna room directly above the heater where it is visible to the bather. The WARNING placard must be attached to the door of the sauna room.

SECTION 12: ROOM CONSTRUCTION

For safety and reliability, the following rules must be addressed.

- ~ No permanent locking or latch system is to be used on the sauna door.
- ~ Acceptable door fittings are: magnetic catches, friction catches, spring or gravity loaded closures. The door must always open outwards.
- ~ No shower may be installed in a sauna room.
- ~ No electrical receptacle shall be installed in a sauna room.
- ~ The enclosed WARNING: Reduce the risk of overheating...warning plate must be mounted on the interior wall above the heater.
- ~ The enclosed CAUTION: Reduce the risk of fire...caution plate must be mounted on the interior wall above the heater.
- ~ The heater should not be operated without its container properly filled with rocks and the rock guard in place.
- ~ If an intercom speaker is installed, it should be away from the heater and as close to the floor as possible.
- ~ Fire sprinkler systems installed inside any sauna room should be properly rated for sauna room temperatures.
- ~ Always mount the heater according to these installation instructions.

WARNING

The "CAUTION" and "WARNING" placards must be mounted in accordance with Section 10.



WARNING

REDUCE THE RISK OF OVERHEATING

- * Exit immediately if uncomfortable, dizzy, or sleepy. Staying too long in a sauna is capable of causing overheating.
- * Supervise children at all times.
- * Check with a doctor before use if pregnant, in poor health, or under medical care.
- * Breathing heated air in conjunction with consumption of alcohol, drugs, or medication is capable of causing unconsciousness.



CAUTION

REDUCE THE RISK OF FIRE

Do Not Place Combustible Material On The Heater At Any Time.

***For safety purpose
sauna door must open
out and not lock.***

***Never use a wood stain,
seal or preservative on
the inside of your sauna
room.***

***Light fixtures get very
hot during operation.
Locate light fixture
where it will not be a
burn hazard.***

DIAGRAM 6

WIRING DIAGRAM: CONTROL AND HEATER MODELS Viki 4.5, 6.0 & 8.0 (1720-45-02,1720-60-02,1720-80-02) SaunaLogic and CB PK-1

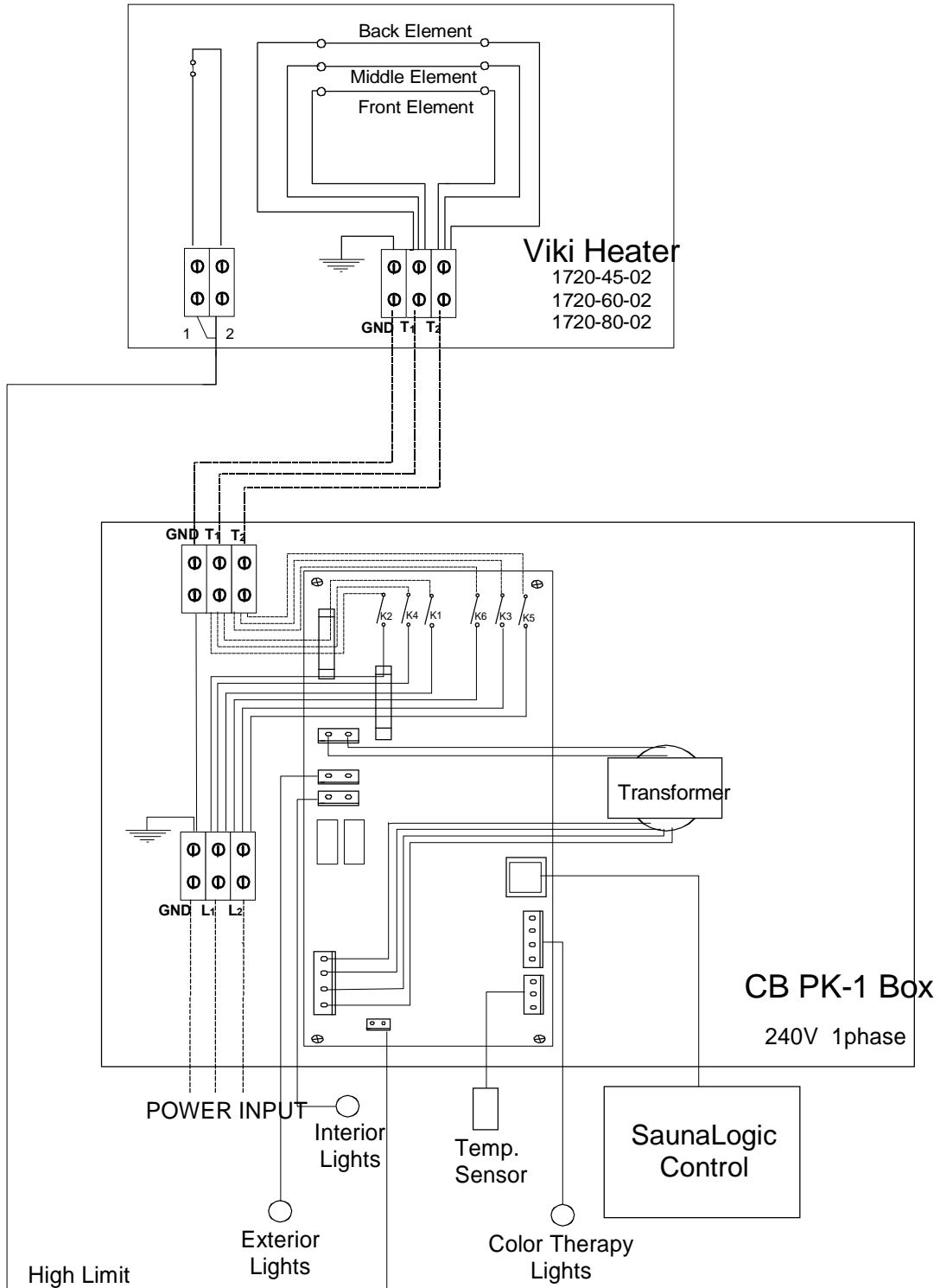


DIAGRAM 7

TYPICAL PRE-CUT WALL CONSTRUCTION

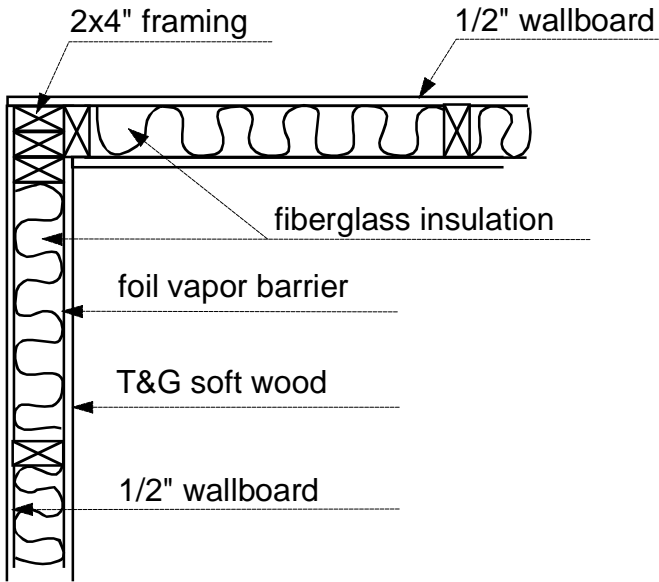


DIAGRAM 8

HEATER SCREEN (GUARD RAIL)

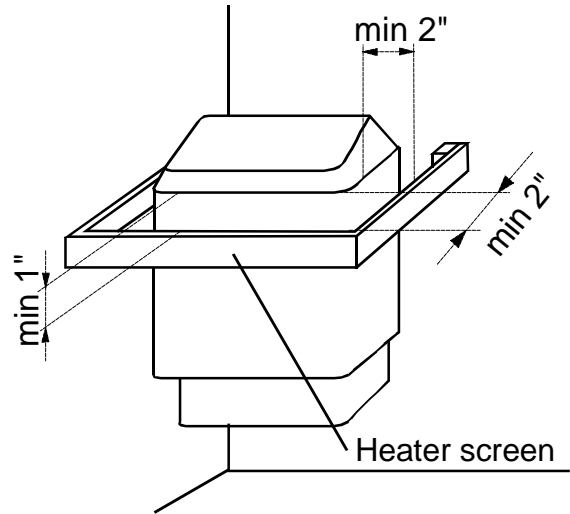


DIAGRAM 9

VENTILATION

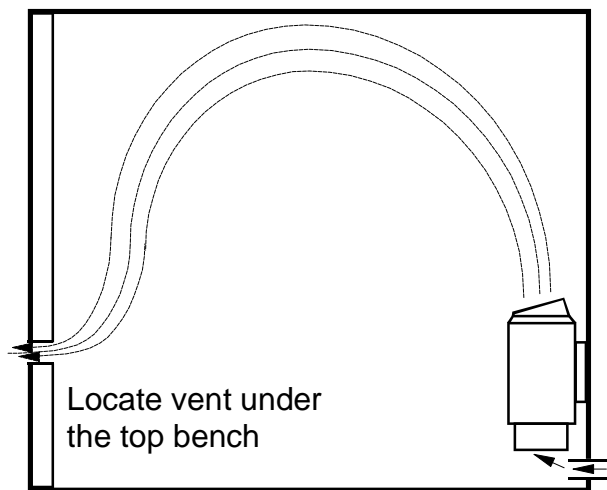
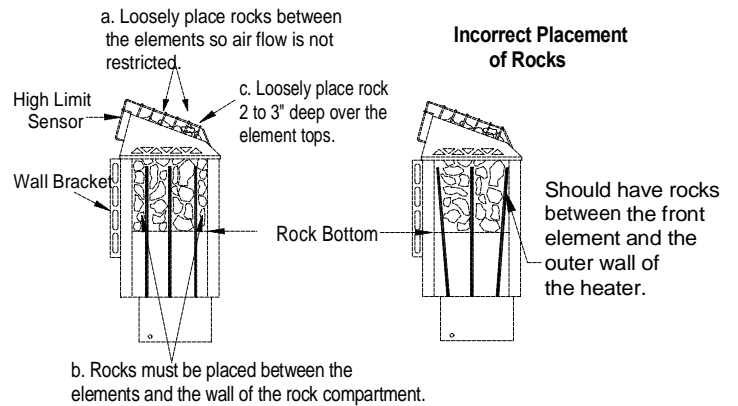


DIAGRAM 10



1. Put smaller rocks in first around the outer perimeter of the rock compartment.
2. Completely fill all four sections (front, 2 center sections between elements, and back).
3. In the outer sections, use smaller rocks placed more tightly (see note b).
4. Place rocks loosely in the center 2 sections (see note a).
5. Be sure rocks completely cover the elements (see note c).
6. Loosely cover the tops of all elements with rocks a minimum of 2+to 3+

SECTION 13: VENTILATION

In a private sauna, the air should be changed about 6 times an hour. This can be achieved by making a vent opening (fresh air inlet) in the sauna wall below the heater. The air outlet must be lower than the upper benches, as far as possible from the heater and about two feet higher than the fresh air inlet vent, See Diagram 9. It is recommended that ventilation openings meet the requirements of UL Specification 875. The minimum opening should be determined using one of the following formulas: For $R < 31$, $V > 9.3$, For $R > 31$, $V > 0.3R$
where R = the floor area of the room in square feet and
 V = the minimum vent size in square inches.

SECTION 14: MAINTENANCE

The sauna, like a bathroom, should be kept clean and odor free.

Towels or mats should always be used on benches and floor as perspiration otherwise penetrates the soft wood.

Air out the sauna often by keeping the door and vents open when the sauna is not in use. Saunas that are in daily use should be washed down at least once a week to keep them clean and the air fresh. Duckboard should be removed from the sauna, the sauna floor mopped and dried in a conventional manner, and the duckboard thoroughly scrubbed and dried before returning to the sauna room. The sauna heater should be wiped down occasionally with a damp cloth to remove lint and dust. The rocks should be removed once a year for cleaning and small or crumbled rocks replaced.

To clean and remove perspiration stains, use soap or detergent in warm water, best applied with a scrub brush. Badly soiled surfaces may require sanding. Sand paper wrapped around a wooden block works well.

Benches and supporting structure must be inspected annually for potential deterioration due to age, dry rot or abuse. Any boards with signs of deterioration should be replaced immediately to avoid possible injury.

SECTION 15: TROUBLESHOOTING

If control displays "SN" it means no sensor is connected. Refer to Section 5 for sensor installation information.

If control displays "HL" it means the high limit is open and the heater is too warm. Refer to Section 9 for high limit information.

For troubleshooting or service questions call 1-888-780-4427 and ask to speak with service. Prior to calling, please have the Model and Type number available. You may also email us at techsupport@saunatec.com