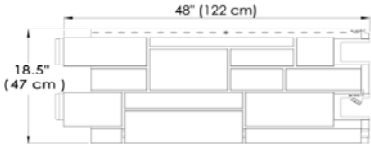
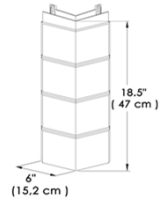
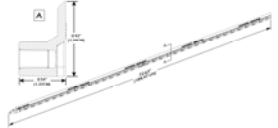



Estimating sheet

Contact: _____
 Address: _____

 Tel.: _____
 Fax: _____
 Project name: _____
 Required date: _____

	Description		Profile	Total Qty
(A)	Premium Hand-Cut Stone Panel 18,5"x48" (122 cm x 47 cm) 1 pc = 5.11 ft ² (0,47 m ²)	Box = 9 pcs		Color: _____ Box
(B)	Premium Hand-Cut Stone Corner 6"x18,5" (15,24 cm x 47 cm) 1 pc = 1.48 linear feet (0,14 lin. m)	Box = 5 pcs		Color: _____ Box
(C)	Polymer Starter Strip 6' (1,83 m)	Box = 24 pcs		Box
(D)	NovikTrim1 1.75'x6' (4,45 cm x 1,83 m)	Box = 40 pcs Overlap = 1" (2,54 cm)		Color: _____ Box