

Estimating sheet

Contact: _____

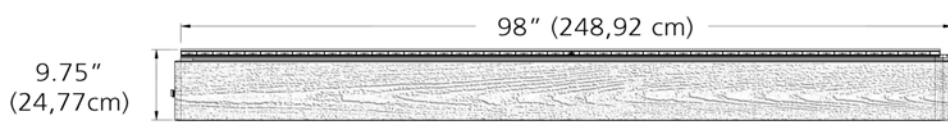
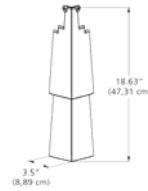
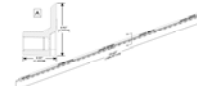
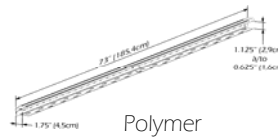
Address: _____

Tel. : _____

Fax: _____

Project name: _____

Required date: _____

	Description	Profile	Total Qty
(A)	Single S8* Plank 98" x 9,75" (248,92 cm x 24,77 cm) 1 pc = 5.17 ft² (0,48 m²) Box = 18 pcs 		Color: _____ Box
(B)	Single S8* Plank Corner 3.5"x18.63" (9,1 cm x 47,2 cm) 1 pc = 1.3 linear feet (0,4 lin.m)	Box = 5 pcs 	Color: _____ Box
(C)	Polymer Starter Strip 6' (1,83 m)	Box= 24 pcs 	Color: _____ Box
(D)	NovikTrim 1 1.75"x6' (4,45 cm x 1,83 m)	Box = 40 pcs Overlap = 1" (2,54 cm) 	Color: _____ Box