

Imagine... a look that lasts forever!

---



**Siding Systems**

---

**NOVIKPLANK™ S8  
SINGLE 8" PLANK**

**INSTALLATION GUIDE**



# NOVIKPLANK™ S8 - SINGLE 8" PLANK INSTALLATION GUIDE

## GENERAL INFORMATION

**CAUTION: REMEMBER THAT POLYMER UNDERGOES EXPANSION/CONTRACTION DUE TO VARIATIONS IN TEMPERATURE. THE FOLLOWING INSTRUCTIONS WILL ALLOW FOR THE EXPANSION / CONTRACTION OF THE MATERIAL.**

1-Always begin the installation at the lowest part of the structure, from left to right.

2-Always nail through the installation holes. These holes include a polymer film, which permits for precise centering of the nail, allowing the expansion and contraction of the material. Each complete panel must be nailed through the center hole, at both extremities and have a minimum of 7 nails in the nailing channel at maximal intervals of 16"(40,64cm) or less (Figure 1). If panels are installed on a furring wall, furring strips must be installed obliquely and spaced at 8"(20,32cm) center to center and a furring strip is required behind each nail. Always use non-corrosive nails or screws with a head of 0.4"(1cm) in diameter and a body of 0.150"(0,38cm) in diameter and penetrate a minimum of 1 1/4"(3,18cm) into a solid surface.

3-Never hammer the nails in completely; leave a gap of 1/16"(0,16cm). The stoppers located around the holes stop the hammer from driving the nails in too far, and provides the required gap (Figure 2).

4-Make sure that all pieces are properly joined together (Figure 3).

5-When using finition trim (i.e. NovikTrim1, J-trim, etc.) leave a gap of 1/4"(0,64cm) between the trim and the siding (Figure 4). The required opening for finition trim is 7/8"(2,23cm).

**Note:**

- To cut the material, it is recommended to use a circular saw with a finishing blade.
- Keep the R-E-L number of your products (ex: REL-123456) for future references.

Figure 1

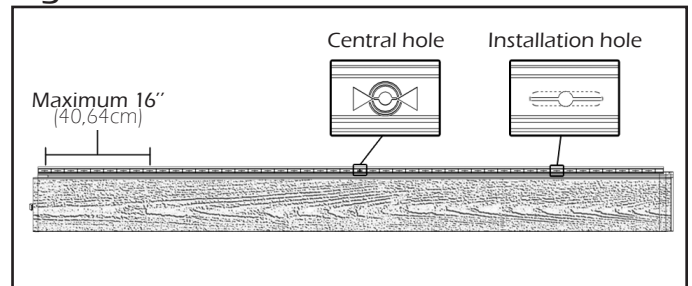


Figure 2

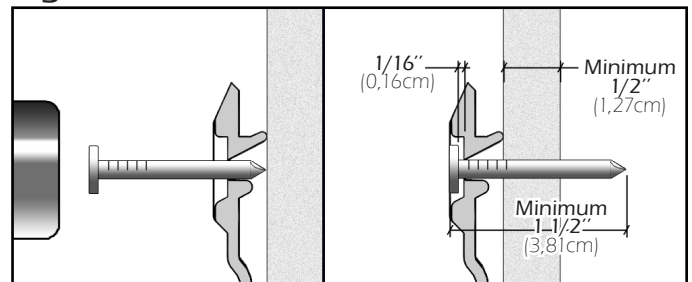


Figure 3

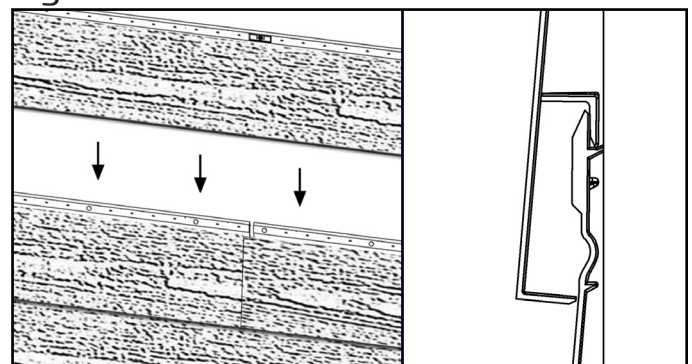
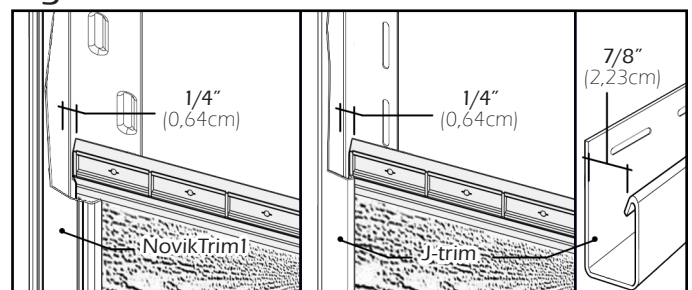


Figure 4



Some elements of the image above were partly removed to facilitate understanding.



# NOVIKPLANK™ S8 - SINGLE 8" PLANK INSTALLATION GUIDE

## INSTALLATION STEPS

1-First install the starter strips at the lowest point of the structure. Make sure that the horizontal starting line is perfectly leveled and square with the wall. Leave a 1" (2,54cm) gap at each end of the wall when using decorative corners (1). If a floor is against the wall you must leave a gap of 1 5/8" (4,13cm) between the starter and the floor (2). If there is no floor, starter strips should be flush with the base of the wall. Nail the starter strips through the nailing holes at maximal intervals of 8" (20,32cm) or less. Do not forget to nail in the center hole (3). Install the next starter strip by sliding it leftward to the stopper in the previous one and nail it as mentioned above (4)(Figure A).

2-When using decorative corners, cut the left side of a panel in a straight line, insert panel into starter strip and nail the panel at 1 3/4" (4,45cm) from the wall edge. When using J-trim corner, cut the left side of a panel in a straight line, insert panel into starter strip and slide it in the J-trim corner. Leave a space of 1/4" (0,64cm) between inside wall of J-trim and the siding (Figure B). Measure the wall length to determine where to cut your first panel in order to avoid having a very small piece at the right end of the wall. Be sure to align adjacent walls.

3-On each panel, hammer a nail into the center hole of the panel, this will ensure even movement of panel in both directions during expansion/contraction. Also hammer a nail into the last hole on both ends and 4 other nails into nailing channel (Figure C). Each full length panel should be secured with a minimum of 7 nails. If the panel is installed on a furring wall, a furring strip is required behind these holes.

- N.B.: If a panel piece does not have the initial center hole in the middle, drill a new center hole of 1/8" (0,32cm) diameter at the same height as the other installation holes.

Figure A

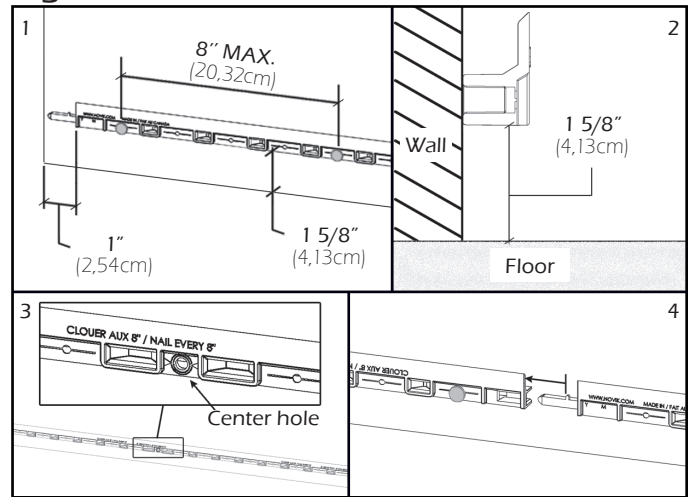


Figure B

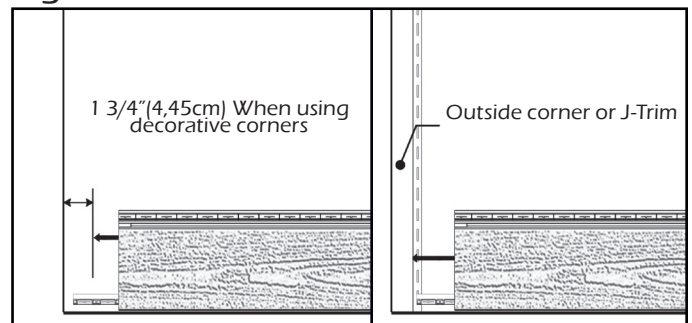
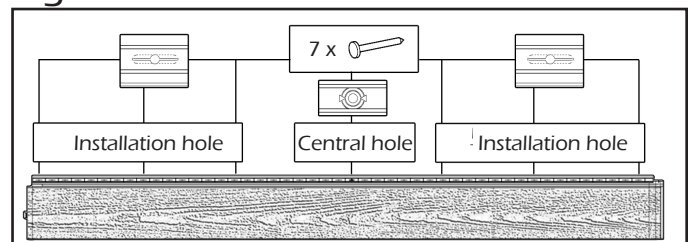


Figure C



# NOVIKPLANK™ S8 - SINGLE 8" PLANK INSTALLATION GUIDE

## INSTALLATION STEPS (CONTINUATION)

4-Insert the next panel onto the starter strip. Slide the panel toward the left overlapping the previous panel. If installed at outdoor temperature above 32°F(0°C), slide the panel up to the stopper\* (Figure D). If installed at outdoor temperature below 32°F(0°C) position the panel slightly right of the stopper\* (about 1/8"(0,32cm) (Figure E). Once the panel is correctly positioned, nail it as previously indicated.

5-Begin the next row by cutting the first panel with 16"(40,6cm) increment from the cutting line of the first row. Slide the hooks located at the bottom of the panel into the top of the previously installed row (Figure F). Proceed with this row and subsequent ones following steps 3, 4 and 5 taking care with each new row to alternate the position of the cut on the first panel.

6-For the last row or places where you may need to attach siding other than in installation holes at a concealed spot on the panel use a knife to create new 1"(2,54cm) slots (Figure G); the slot must be wider than the nail but not as wide as the nail head. Although not set in installation holes, this type of cutting will allow the expansion/contraction movement of siding.  
-N.B.: For proper installation & optimal appearance, shim is required to adjust the angle of the last row.

\*The stoppers are only designed to guide the positioning of the panels during installation. They will break once panels undergo any expansion movement.

Note: Do not attach accessories directly onto siding. The fasteners must be attached to a solid surface.

Figure D

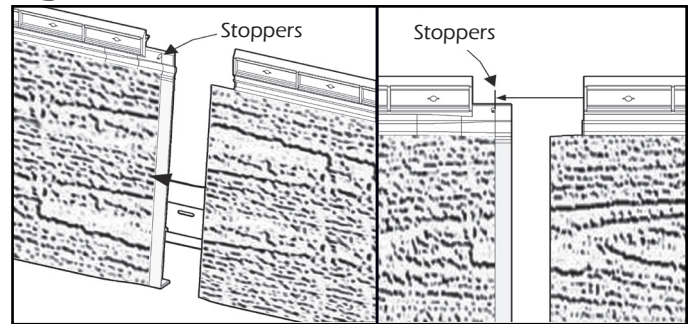


Figure E

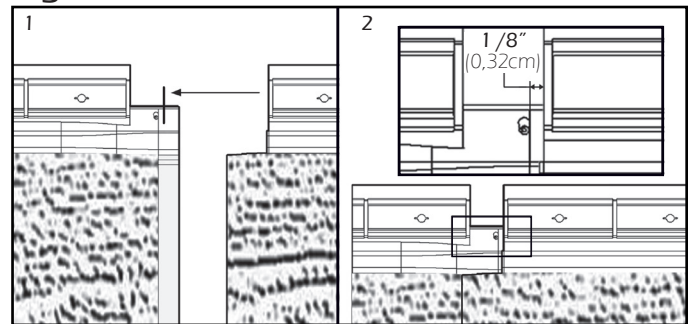


Figure F

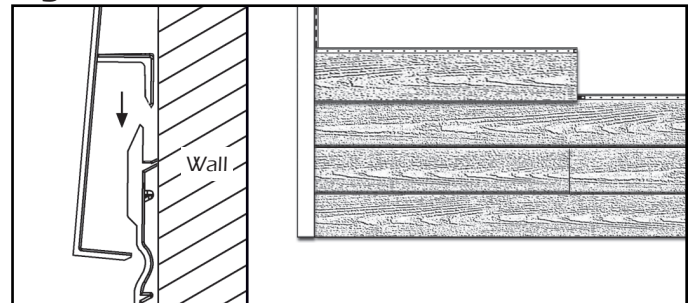
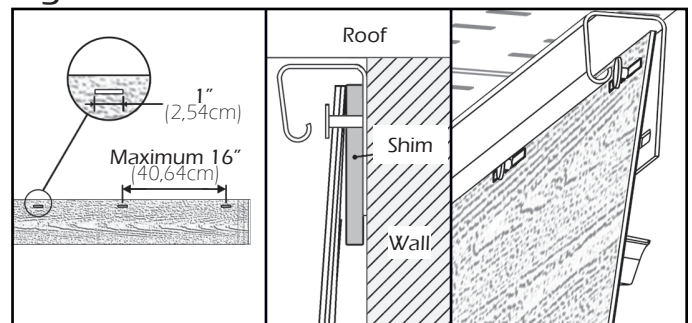


Figure G



# NOVIKPLANK™ S8 - SINGLE 8" PLANK INSTALLATION GUIDE

## DECORATIVE CORNERS INSTALLATION

7-When using these corners, installation may begin when you have finished two rows on two adjacent walls.

- N.B.: The rows on adjacent walls should be installed at 1 3/4" (4,45cm) from the corner of the wall and be at the same height to ensure the best possible installation and appearance.

8-During the installation, slide the hooks located at the bottom and the center of the part under the planks (Figure H-1). While maintaining pressure into the corner of the wall, bring the part upwards to engage the hooks (Figure H-2). Nail into the oblong holes in the top of the part. Every two rows a new corner can be installed. Repeat up to the top of the corner of the wall.

9-For the last corner only, cut excess from part. On each side of the corner, make a hole wider than the shaft of the nail, but smaller than the head. Affix a nailing strip behind these locations to fasten corners firmly. Fold back the top of the corner and nail it down. (Figure I)

Figure H

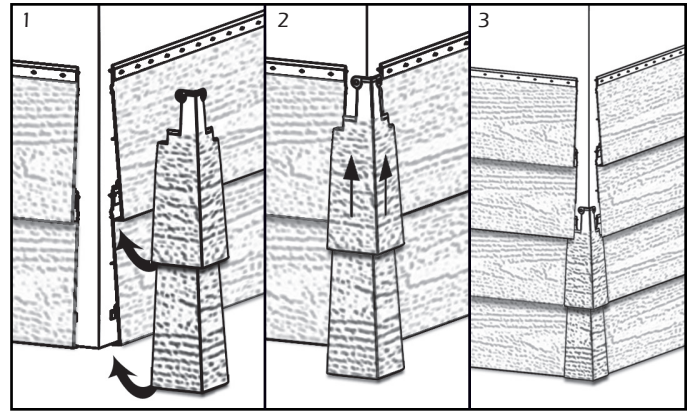
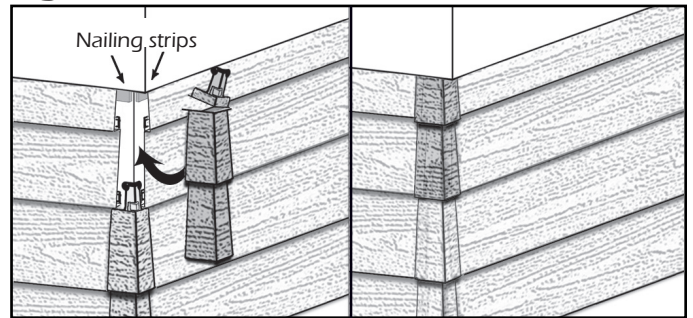


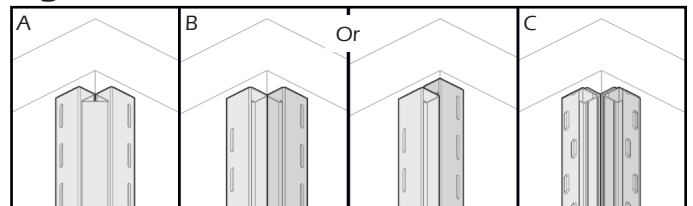
Figure I



## INSTALLATION TIP (INSIDE CORNERS)

1-Many solutions are possible to finish an inside corner: inside corner post (A), two J-trims (B) or two NovikTrim1 (C) (Figure J). It is important to seal the inside corner of the wall prior to installation the trims.

Figure J



For details, see the respective installation guide of each product.

Tip: To make sure panels are hanging straight on the wall: Measure up 7 13/16" (19,84cm) from the top of the panel on either side of the wall at every 3-4 rows (Figure K). Stretch a chalk line, it will be your guide for the next row (Figure L).

