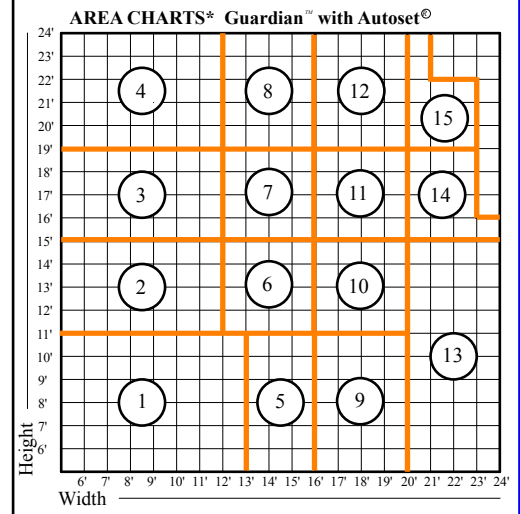


**Zone Chart for Dimensional References**



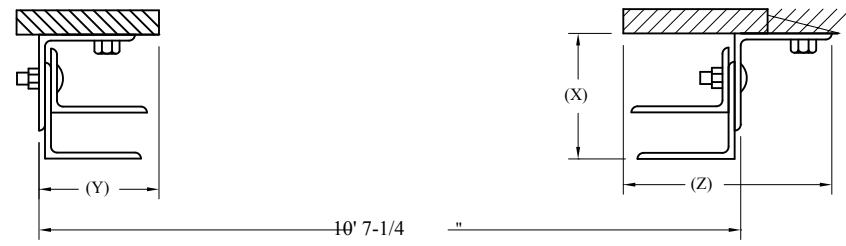
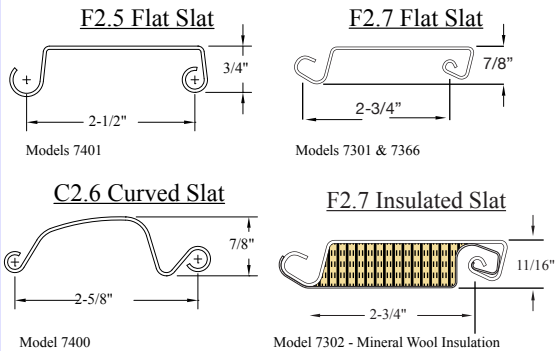
**3 and 4 HOUR FIRE DOORS**

Zone	H	B	T	D	X	Y	Z
1	15"	30"	6-1/2"	7-1/2"	3-7/8"	3-5/8"	6-1/2"
2	17"	32"	6-1/2"	7-1/2"	3-7/8"	3-5/8"	6-1/2"
3	19"	34"	6-1/2"	7-1/2"	5"	3-5/8"	6-1/2"
4	21"	36"	6-1/2"	7-1/2"	5"	3-5/8"	6-1/2"
5	15"	30"	7"	8"	4-1/4"	4-1/4"	7"
6	17"	32"	7"	8"	4-1/4"	4-1/4"	7"
7	19"	34"	7"	8"	5"	4-1/4"	7"
8	21"	36"	7"	8"	5"	4-1/4"	7"
9	15"	30"	7-1/2"	8-1/2"	5"	5-1/4"	7-1/2"
10	17"	32"	7-1/2"	8-1/2"	5"	5-1/4"	7-1/2"
11	19"	34"	7-1/2"	8-1/2"	5"	5-1/4"	7-1/2"
12	21"	36"	7-1/2"	8-1/2"	5"	5-1/4"	7-1/2"
13	19"	34"	7-1/2"	8-1/2"	5"	5-1/4"	7-1/2"
14	21"	36"	7-1/2"	8-1/2"	5"	5-1/4"	7-1/2"
15	23"	38"	7-1/2"	8-1/2"	5"	5-1/4"	7-1/2"

Dimensions are approximate. Contact factory to request specific drawing.

**Note:** Motor requires 15" of backroom.

\*When using Area Charts, if size falls on a zone division line, go up to next zone.



**"X" Dimension References**  
 Zone 1, 2 & 3 = Opening Width + 7-1/4"  
 Zone 4, 5 & 6 = Opening Width + 8-3/8"  
 Zone 7, 8 & 9 = Opening Width + 9-1/2"

05/20016 Copyright 2016 C.H.I. Overhead Doors

Door Qty.	Door Width	Door Height	Jamb Type	Model	Exterior Color

Miscellaneous Notes

C.H.I. Fire Door - Motor Operation	
ARCHITECT:	
CONTRACTOR:	
PROJECT NAME:	
DOOR COMPANY:	
PREPARED BY:	
QUOTE NUMBER:	
DOOR NUMBER:	
DATE:	