

PB 423

**Diamond®
Feed Thru Bushings**

Belden durable Diamond® Feed Thru Bushings are designed to protect the drop cable at its entry point into customer's premises. These bushings provide a tight seal around the cable as well as add a professional finish to any rough drilled holes created during the installation process*.

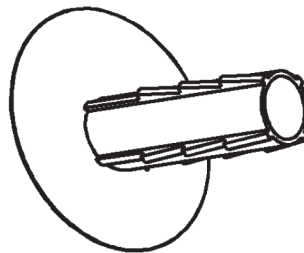
Available in either natural (translucent) or UV resistant black, Belden's range of feed thru bushings are designed for a spectrum of RG6 coaxial cables.

- Durable weather-resistant polypropylene
- Black bushings are resistant to ultra-violet degradation
- Can be used on a range of construction materials, including masonry and siding
- Incorporate anti-rotational ribs which help to ensure a tight secure installation
- Angled bushing is installed with its tubular body inclined upwards to help prevent water migrating along the cable and into the customer's premise

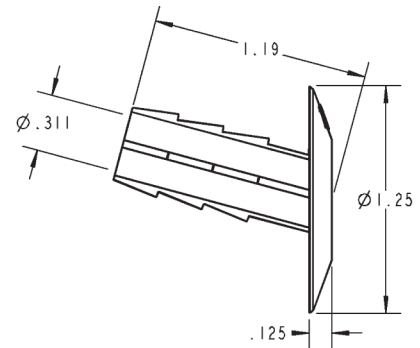


Recommended Diameter of Pre-Drilled Holes

- Bushings for Single RG6 — 3/8"
- Bushings for Dual RG6 — 3/4"



Angled Bushings - 34-08059 & 34-08060



Part Number	Description & Cable Size	Color	Cable Tube Diameter/Dim (in.)	Outer Diameter (in.)	Length (in.)	Inner Pack	Outer Pack
34-08052	Feed Thru Bushing for single RG6	Black	.312	1.2	1.1	100	1000
34-08053	Feed Thru Bushing for single RG6	Natural	.312	1.2	1.1	100	1000
34-08057	Feed Thru Bushing for dual RG6	Black	.354 x .697	1.2	1.1	100	1000
34-08058	Feed Thru Bushing for dual RG6	Natural	.354 x .697	1.2	1.1	100	1000
34-08059	Angled Feed Thru Bushing for RG6	Black	.312	1.25	1.19	100	1000
34-08060	Angled Feed Thru Bushing for RG6	Natural	.312	1.25	1.19	100	1000

*Best if used with a sealant such as silicone to prevent moisture migration.