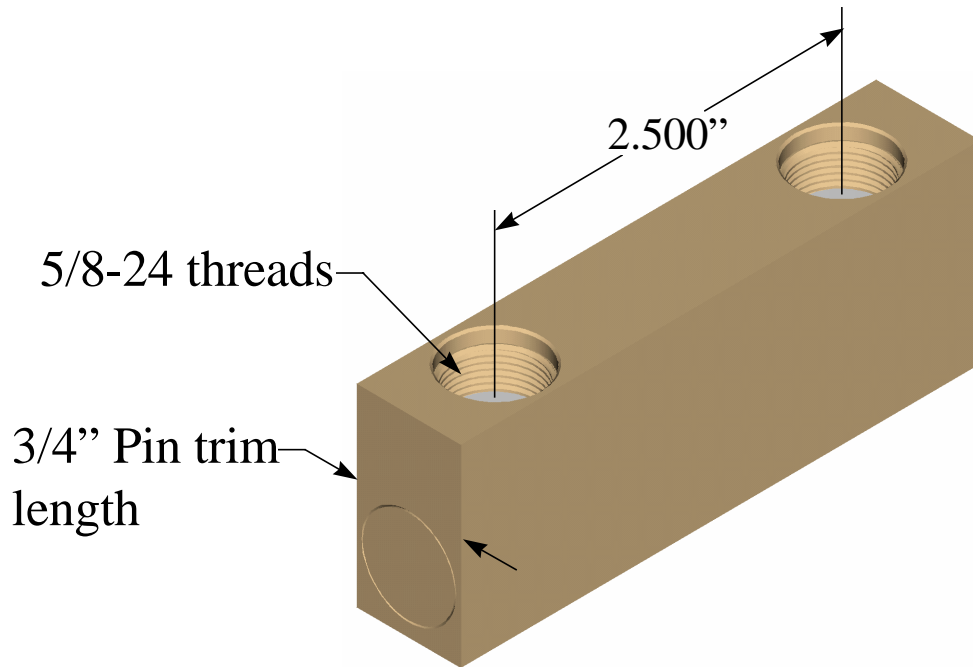

PRODUCT DATA SHEET

Part Number(s): **ISPB**

Pedestal Splice Block with self seizing contacts



Operation Specification:

Bandwidth	0 MHz to 1 GHz
Impedance	75 Ohms
Return Loss	Better than -30 dB to 1 GHz
Insertion Loss	Less than 0.10 dB to 1 GHz
Operating Voltage Rating	90 Volts (@ 60 Hz continuous AC)
Operating Current Rating	20 Amps (@ 60 Hz continuous AC)
Operating Temperature Range	-40° to +140° F

Tooling Requirements:

- Suitable wrenches for installing pin connector
- Cutters for pin of connector
- 1 3/4" Wrench