

STAG ARMS

2016



**NEW
CERAKOTE FINISH**

INTRODUCTION

STAG ARMS



"We would like to thank our loyal customers for their support. Without their feedback we couldn't continue to make great quality rifles fitting your needs."

- Mark T. Malkowski, President



Great rifles are made in America; the best rifles are made here.

TABLE OF CONTENTS

RIFLES/UPPER HALVES

Model 1 Series.....	12
Model 2 Series.....	14
Model 2T Series.....	16
Model 3 Series.....	18
Model 4 Series.....	20
Model 5 Series.....	22
Model 6 Series.....	24
Stag 7 Series.....	26
Model 8 Series.....	28
Model 8T Series.....	30
Model 3G Series.....	32
Model 3T Series.....	34
Model 3T-M Series.....	35
Model 9 Series.....	36
Model 9T Series.....	37

OTHER

Cerakote Coating Upgrade.....	4
Caliber Upgrade/Plus Packages.....	5
Product Information Sheet.....	6
Accessory Compatibility Chart.....	9
Post Ban Information.....	10
Barrel Assemblies.....	38
Bolt Carrier Assemblies.....	40
Upper Receiver Assemblies.....	41
Lower Half Assemblies.....	42
Buttstock Kits.....	44
Sights.....	45
Accessories.....	46
Laser Sights & Lights.....	51
Ordering Information.....	52
Lifetime Transferable Warranty.....	54
Notes.....	55

CERAKOTE COATINGS

COLOR CHOICES

Cerakote is one of the toughest and longest lasting firearm finishes with resistance to abrasion, corrosion, and rust. They are available in the four colors below for the model series 1, 2, 2T, 3, 3T, 3TM, 5, 9, and 9T. The coating includes the handguard, delta ring, upper receiver, lower receiver, buffer tube, A2 grip, and mil-spec buttstock. Other grips and buttstocks will only be available in their original colors.

(ADD) **\$75**



BURNISHED BRONZE



FOLIAGE GREEN



GUN METAL GREY



DESERT SAND

Custom Engraving

(ADD) **\$15**

Have your lower, lower half or rifle upgraded with our custom series laser engraving. Minimum 5 per order. New purchases only.



CALIBER UPGRADES

300 BLACKOUT

(ADD) **\$50**

Upgrade the following Model Series to the 300 blackout caliber for an additional \$50.00. They are only available in 16" length and 1/7 twist. The barrels are 16" long and manufactured from 4140 steel with chrome lining on the inside to increase durability. The 1/7 twist rate is designed to work with all bullet weights in the caliber and the barrel thread for the muzzle device is 5/8 x 24. This caliber upgrade is available on the following models:

- Model 1
 - Model 2
 - Model 2T
 - Model 3
 - Model 1L
 - Model 2L
 - Model 2TL
 - Model 3L
 - Model 3T
 - Model 3TL
 - Model 3TLM
- AND THEIR UPPER HALVES

PLUS PACKAGE

Stag Arms standard carbines bring the rifle or upper half as close as possible to the Mil-Spec as possible. (Model 1, 2, 2T, 3, 3T, 3T-M, 8, 8T and their left-handed equivalents) feature:

- Carpenter 158 shot peened Bolt with black extractor spring
- Shrouded full circle AR15 bolt carrier with side staked carrier key
- 5.56 NATO chambered barrel with chrome lining, 1/9 twist, double lead lapped, and parkerized under the front sight base
- F marked front sight base with taper pins
- Double heat shield handguards

(ADD) **\$100**

In addition to our standard features listed above the Plus Package includes these upgrades:

- M4 feed ramps
- 4150 barrel steel chrome lined
- 1/7 Twist rifling
- Individually MP & HP tested and marked Bolt & Barrel
- M-16 Bolt Carrier
- Heavy (H) buffer assembly
- One extra 30rd USGI Magazine (two total)*

ORDER BY PHONE: 860.229.9994

PRODUCT INFORMATION

	MODEL 1	MODEL 2	MODEL 2T	MODEL 3	MODEL 4
Chamber/ Caliber	5.56 NATO	5.56 NATO	5.56 NATO	5.56 NATO	5.56 NATO
Upper	Forged and Mil-spec. - Type 3 hard coat anodizing	Forged and Mil-spec. - Type 3 hard coat anodizing	Forged and Mil-spec. - Type 3 hard coat anodizing	Forged and Mil-spec. - Type 3 hard coat anodizing	Forged and Mil-spec. - Type 3 hard coat anodizing
Sights**	Front Post/ Detachable Carry Handle	Front Post/Midwest ERS Rear Flip Sight	Front Post/ Diamondhead Classic	Front railed Gas block/No rear sight	Front Post/ Detachable Carry Handle
Handguards	Carbine length plastic	Carbine length plastic	Free float picatinny quad rail	DiamondHead Versa-Base	Rifle length plastic
Barrel**	16" chrome lined 1/9 twist 4140 steel government profile with flash hider	16" chrome lined 1/9 twist 4140 steel government profile with flash hider	16" chrome lined 1/9 twist 4140 steel government profile with flash hider	16" chrome lined 1/9 twist 4140 steel government profile with flash hider	20" chrome-molly 4140 Heavy profile with flash hider
Lower	Semi-auto safety, standard magazine release, standard pistol grip, small pin	Semi-auto safety, standard magazine release, standard pistol grip, small pin	Semi-auto safety, standard magazine release, standard pistol grip, small pin	Semi-auto safety, standard magazine release, standard pistol grip, small pin	Semi-auto safety, standard magazine release, standard pistol grip, small pin
Magazine**	30 rounds	30 rounds	30 rounds	30 rounds	20 rounds
Trigger	Mil-spec	Mil-spec	Mil-spec	Mil-spec	Mil-spec
Stock**	6 Position Collapsible	6 Position Collapsible	6 Position Collapsible	6 Position Collapsible	A2
Length**	32.25" / 35.75"	32.25" / 35.75"	32.25" / 35.75"	32.25" / 35.75"	39.75"
Weight	7.0 pounds	6.5 pounds	6.8 pounds	6.1 pounds	8.5 pounds
Accessories	Plastic rifle case, magazine, manual, warranty card, gun lock	Plastic rifle case, magazine, manual, warranty card, gun lock	Plastic rifle case, magazine, manual, warranty card, gun lock	Plastic rifle case, magazine, manual, warranty card, gun lock	Plastic rifle case, magazine, manual, warranty card, gun lock
Gas System	Direct Impingement	Direct Impingement	Direct Impingement	Direct Impingement	Direct Impingement
Notes:				Accepts DiamondHead rail attachments	
Warranty	Lifetime	Lifetime	Lifetime	Lifetime	Lifetime

PRODUCT INFORMATION

	MODEL 5	MODEL 6	STAG 7	MODEL 8 & 8T	MODEL 3G
Chamber/ Caliber	6.8SPC SPEC2	5.56 NATO	6.8SPC SPEC2	5.56 NATO	5.56 NATO
Upper	Forged and Mil-spec. - Type 3 hard coat anodizing	Forged and Mil-spec. - Type 3 hard coat anodizing	Forged and Mil-spec. - Type 3 hard coat anodizing	Forged and Mil-spec. - Type 3 hard coat anodizing	Forged and Mil-spec. - Type 3 hard coat anodizing
Sights**	Front Post/ No rear sight	Front low profile gas Block/No rear sight	Railed Gas Block front/No rear sight	DiamondHead premium flip up sight set	Same plane front railed Gas block/ No rear sight
Handguards	Carbine length plastic	Free float Hogue handguard	Free float Hogue handguard	Carbine length plastic. 8T has DiamondHead free float VRS-T	Samson 15" Evolution free- float handguard
Barrel**	16" 1/11 twist 4-groove 4140 steel government profile with flash hider	24" 1/8 twist Stainless Steel Heavy Bull profile with target crown	20.77" 1/11 twist 4-groove Stainless Steel, Custom S7 finish, Heavy profile with target	16" chrome lined 1/9 twist 4140 steel government profile with flash hider	18" Stainless Steel fluted heavy barrel. 1/8 twist with Stag 3G comp
Lower	Semi-auto safety, standard magazine release, standard pistol grip, small pin	Semi-auto safety, standard magazine release, standard pistol grip, small pin	Semi-auto safety, standard magazine release, standard pistol grip, small pin	Semi-auto safety, standard magazine release, standard pistol grip, small pin	Semi-auto safety, standard magazine release, standard pistol grip, small pin
Magazine**	25 rounds	10 rounds	5 rounds	30 rounds	30 rounds
Trigger	Mil-spec	2-stage match	2-stage match	Mil-spec	Geissele S3G
Stock**	6 Position Collapsible	A2	A2	6 Position Collapsible	6 Position Magpul ACS
Length**	32.25" / 35.75"	42.5"	39.25"	32.25" / 35.75"	36" / 39.5"
Weight	6.4 pounds	10.0 pounds	7.8 pounds	6.9 pounds/ 7.25 pounds	7.8 pounds
Included Accessories	Plastic rifle case, magazine, manual, warranty card, gun lock	Plastic rifle case, magazine, manual, warranty card, gun lock	Plastic rifle case, magazine, manual, warranty card, gun lock	Plastic rifle case, magazine, manual, warranty card, gun lock	Plastic rifle case, magazine, manual, warranty card, gun lock
Gas System	Direct Impingement	Direct Impingement	Direct Impingement	Gas piston with on/off	Direct Impingement
Notes:		1/2 MOA guarantee			3 rail attachments included
Warranty	Lifetime	Lifetime	Lifetime	Lifetime	Lifetime

ORDER BY PHONE: 860.229.9994

PRODUCT INFORMATION

	MODEL 3T	MODEL 3T-M	MODEL 9	MODEL 9T
Chamber/ Caliber	5.56 NATO	5.56 NATO	9MM	9MM
Upper	Forged and Mil-spec. - Type 3 hard coat anodizing	Forged and Mil-spec. - Type 3 hard coat anodizing	Forged and Mil-spec. - Type 3 hard coat anodizing	Forged and Mil-spec. - Type 3 hard coat anodizing
Sights**	DiamondHead polymer	DiamondHead aluminum	Picatinny railed gas block/none	DiamondHead premium sight set
Handguards	13.5" Freefloat DiamondHead VRS-T handguard	13.5" Freefloat DiamondHead VRS-T handguard	DiamondHead VRS-T drop in modular handguard	13.5" Freefloat DiamondHead VRS-T handguard
Barrel**	16" chrome lined 1/9 twist 4140 steel government profile with flash hider	16" chrome lined 1/9 twist 4140 steel government profile with flash hider	16" chrome lined 1/9 twist 4140 steel government profile with flash hider	16" chrome lined 1/9 twist 4140 steel government profile with flash hider
Lower	7075 T6 aluminum with a type 3 hard coat anodizing	7075 T6 aluminum with a type 3 hard coat anodizing	7075 T6 aluminum with a type 3 hard coat anodizing	7075 T6 aluminum with a type 3 hard coat anodizing
Magazine**	30 rounds	30 rounds	32 rounds	32 rounds
Trigger	Mil-spec	Mil-spec	9mm	9mm
Stock**	6 Position collapsible	6 Position Magpul ACS	Mil-spec 6 position	Mil-spec 6 position
Length**	32.25" / 35.75"	33.5" / 37"	32.25" / 35.75"	32.25" / 35.75"
Weight	7.4 pounds	7.5 pounds	6.8 pounds	7.9 pounds
Included Accessories	Plastic rifle case, magazine, manual, warranty card, gun lock	Plastic rifle case, magazine, manual, warranty card, gun lock	Plastic rifle case, magazine, manual, warranty card, gun lock	Plastic rifle case, magazine, manual, warranty card, gun lock
Gas System	Direct Gas	Direct Gas	Blowback	Blowback
Notes:	Accepts DiamondHead rail attachments	Accepts DiamondHead rail attachments	Accepts DiamondHead rail attachments	Accepts DiamondHead rail attachments
Warranty	Lifetime	Lifetime	Lifetime	Lifetime

POST BAN INFORMATION

CALIFORNIA

Rifle Information: California compliant Bullet button installed - \$15.00

Magazine Size: 10 rounds



CONNECTICUT

Rifle Information: 22LR conversion kit installed instead of a bolt carrier, modified receiver extension tube, no bayonet lug, non-adjustable buttstock, and pinned muzzle brake - \$50.00

Magazine Size: 10 rd 22LR



Model series 5 & 7 cannot be made legal for CT

Other states with maximum magazine capacity: CO: 10rd, HI: 10rd, OH: 30rd

POST BAN INFORMATION

MARYLAND

Rifle Information: Heavy barrel installed. 16" barrels are only available with a 5.56 chamber. * Model series 5 cannot be made legal for MD*

Magazine Size: 10 rounds



MASSACHUSETTS/NEW JERSEY

Rifle Information: Non-adjustable buttstock, pinned muzzle brake, no bayonet lug - No Extra Charge

Magazine Size: 10 rounds



NEW YORK

Rifle Information: Crowned barrel, FRS 15 buttstock with cheek riser, no bayonet lug - \$100.00

Magazine Size: 10 rounds



Model series 4, 5, 3G cannot be made legal for NY

Other states with maximum magazine capacity: CO: 10rd, HI: 10rd, OH: 30rd

ORDER BY PHONE: 860.229.9994

DIRECT GAS OPERATED RIFLES

MODEL 1 SERIES

- PICATINNY RAIL UNDER THE CARRY HANDLE
- STANDARD GI CARBINE DESIGN
- RIFLE INCLUDES MAGAZINE, INSTRUCTION MANUAL, AND PLASTIC RIFLE CASE

Weight: 7.0 lbs

Barrel: 16" 1/9 chrome lined

Handguard: Thermoplastic polymer

Buttstock: Mil-Spec collapsible 6 position

Chamber: 5.56 NATO (.223 REM)

Bolt Carrier: Enhanced semi-auto with a manganese phosphate coating

Front/Rear Sight: F-marked A2/removable carry handle

Grip: A2 style plastic grip

Muzzle Device: A2 flash hider

**TRANSFERABLE
LIFETIME
WARRANTY**

RIGHT HANDED

MODEL 1



\$949

LEFT HANDED

MODEL 1L



**PLUS PACKAGES AVAILABLE
ON PAGE 49**

\$989

**CA, CT, MA, MD, NJ, NY information available on Post-Ban Pages*

UPPER HALVES

MODEL 1H/1H-L

INCLUDES BOLT CARRIER, CHARGING HANDLE, AND INSTRUCTION MANUAL

MODEL 1H



\$545

MODEL 1H-L



\$595

RIGHT HANDED
LEFT HANDED

RECOMMENDED ACCESSORIES

MI TACTICAL LIGHT MOUNT



\$35

STREAMLIGHT TLR-1 TACTICAL LIGHT

* Requires MI Tactical Light Mount



\$135

*CA, CT, MA, MD, NJ, NY information available on Post-Ban Pages

ORDER BY PHONE: 860.229.9994

DIRECT GAS OPERATED RIFLES

MODEL 2 SERIES

- IDEAL FOR OPTICS

Weight: 6.5 lbs

Barrel: 16" 1/9 chrome lined

Handguard: Thermoplastic polymer

Chamber: 5.56 NATO (.223 REM)

Buttstock: Mil-Spec collapsible 6 position

Front/Rear Sight: F-marked A2/Midwest Industries ERS flip up sight

Bolt Carrier: Enhanced semi-auto with a manganese phosphate coating

Grip: A2 style plastic grip

Muzzle Device: A2 flash hider

**TRANSFERABLE
LIFETIME
WARRANTY**

RIGHT HANDED

MODEL 2



\$940

LEFT HANDED

MODEL 2L



**PLUS PACKAGES AVAILABLE
ON PAGE 49**

\$965

**CA, CT, MA, MD, NJ, NY information available on Post-Ban Pages*

UPPER HALVES

MODEL 2H/2H-L

INCLUDES BOLT CARRIER, CHARGING HANDLE, AND INSTRUCTION MANUAL

MODEL 2H



\$535

MODEL 2H-L



\$575

RIGHT HANDED
LEFT HANDED

RECOMMENDED ACCESSORIES

MI TACTICAL LIGHT MOUNT



\$35

STREAMLIGHT TLR-1 TACTICAL LIGHT

* Requires MI Tactical Light Mount



\$135

*CA, CT, MA, MD, NJ, NY information available on Post-Ban Pages

ORDER BY PHONE: 860.229.9994

DIRECT GAS OPERATED RIFLES

MODEL 2T SERIES

- WORLD FAMOUS TACTICAL CARBINE
- SAMSON STAR-C RAIL
- FREE FLOATING QUAD RAIL
- M-203 COMPATIBLE

Weight: 6.8 lbs

Barrel: 16" 1/9 chrome lined

Chamber: 5.56 NATO (.223 REM)

Handguard: Thermoplastic polymer

Buttstock: Mil-Spec collapsible 6 position

Front/Rear Sight: F-marked A2/A.R.M.S #40 L rear flip sight

Bolt Carrier: Enhanced semi-auto with a manganese phosphate coating

Grip: A2 style plastic grip

Muzzle Device: A2 flash hider

**TRANSFERABLE
LIFETIME
WARRANTY**

RIGHT HANDED

MODEL 2T



\$1130

LEFT HANDED

MODEL 2T-L



**PLUS PACKAGES AVAILABLE
ON PAGE 49**

\$1155

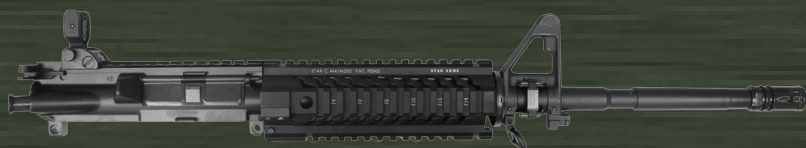
**CA, CT, MA, MD, NJ, NY information available on Post-Ban Pages*

UPPER HALVES

MODEL 2HT/2HT-L

INCLUDES BOLT CARRIER, CHARGING HANDLE, AND INSTRUCTION MANUAL

MODEL 2HT



\$699

MODEL 2HT-L



\$730

RIGHT HANDED
LEFT HANDED

RECOMMENDED ACCESSORIES

MI TACTICAL LIGHT MOUNT



\$35

STREAMLIGHT TLR-1 TACTICAL LIGHT

* Requires MI Tactical Light Mount



\$135

*CA, CT, MA, MD, NJ, NY information available on Post-Ban Pages

ORDER BY PHONE: 860.229.9994

DIRECT GAS OPERATED RIFLES

MODEL 3 SERIES

- PERFECT TO MODIFY; ADD BATTLE SIGHTS, OPTICS, AND SCOPES
- INCLUDES DIAMONDHEAD DROP IN VERSA-BASE HANDGUARD

Weight: 6.1 lbs

Barrel: 16" 1/9 chrome lined

Handguard: Drop-in DiamondHead VRS

Chamber: 5.56 NATO (.223 REM)

Buttstock: Mil-Spec collapsible 6 position

Front/Rear Sight: Picatinny railed gas block/none

Bolt Carrier: Enhanced semi-auto with a manganese phosphate coating

Grip: A2 style plastic grip

Muzzle Device: A2 flash hider

**TRANSFERABLE
LIFETIME
WARRANTY**

RIGHT HANDED

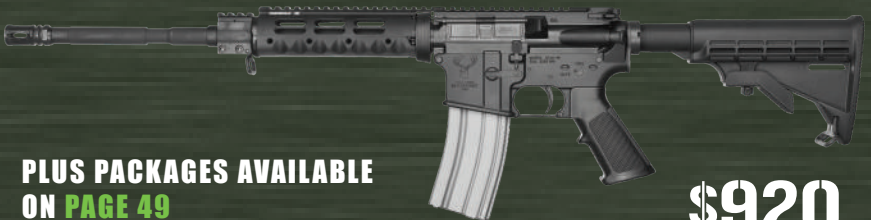
MODEL 3



\$895

LEFT HANDED

MODEL 3L



**PLUS PACKAGES AVAILABLE
ON PAGE 49**

\$920

**CA, CT, MA, MD, NJ, NY information available on Post-Ban Pages*

UPPER HALVES

MODEL 3H/3H-L

INCLUDES BOLT CARRIER, CHARGING HANDLE, AND INSTRUCTION MANUAL

MODEL 3H



\$465

MODEL 3H-L



\$495

RIGHT HANDED
LEFT HANDED

RECOMMENDED ACCESSORIES

**DIAMONDHEAD
VRS-T RAIL
SECTIONS:
3"/6"**



\$15/\$22

**DIAMONDHEAD FRONT
& REAR SIGHT SET**



\$238

**EOTECH XPS 2-0
HOLOGRAPHIC RED
DOT SIGHT**



\$499

*CA, CT, MA, MD, NJ, NY information available on Post-Ban Pages

ORDER BY PHONE: 860.229.9994

DIRECT GAS OPERATED RIFLES

MODEL 4 SERIES

- PICATINNY RAILS UNDER THE CARRY HANDLE
- TRADITIONAL A2 STYLE

Weight: 8.5 lbs

Barrel: 20", chrome-moly, heavy profile

Handguard: Thermoplastic polymer

Chamber: 5.56 NATO (.223 REM)

Buttstock: A2 buttstock with trap door for storage

Front/Rear Sight: F-marked A2 front sight/removable A3 carry handle

Bolt Carrier: Enhanced semi-auto with a manganese phosphate coating

Grip: A2 style plastic grip

Muzzle Device: A2 flash hider

**TRANSFERABLE
LIFETIME
WARRANTY**

RIGHT HANDED
LEFT HANDED

MODEL 4



\$1015

MODEL 4L



\$1065

**CA, CT, MA, MD, NJ, NY information available on Post-Ban Pages*

UPPER HALVES

MODEL 4H/4H-L

INCLUDES BOLT CARRIER, CHARGING HANDLE, AND INSTRUCTION MANUAL

MODEL 4H



\$560

MODEL 4H-L



\$615

RIGHT HANDED
LEFT HANDED

RECOMMENDED ACCESSORIES

MI TACTICAL LIGHT MOUNT



\$35

STREAMLIGHT TLR-1 TACTICAL LIGHT

* Requires MI Tactical Light Mount



\$135

*CA, CT, MA, MD, NJ, NY information available on Post-Ban Pages

ORDER BY PHONE: 860.229.9994

DIRECT GAS OPERATED RIFLES

MODEL 5 SERIES

- 6.8 SPC

Weight: 6.4 lbs

Barrel: 16" 1/11 chrome lined

Handguard: Thermoplastic polymer

Chamber: 6.8 SPC with a SAAMI SPEC 2 chamber

Buttstock: Mil-Spec collapsible 6 position

Front/Rear Sight: F-marked A2 front sight/none

Bolt Carrier: Enhanced semi-auto with a manganese phosphate coating

Grip: A2 style plastic grip

Muzzle Device: A2 flash hider

**TRANSFERABLE
LIFETIME
WARRANTY**

RIGHT HANDED

MODEL 5



\$1045

LEFT HANDED

MODEL 5L



\$1095

**CA, CT, MA, MD, NJ, NY information available on Post-Ban Pages*

UPPER HALVES

MODEL 5H/5H-L

INCLUDES BOLT CARRIER, CHARGING HANDLE, AND INSTRUCTION MANUAL

MODEL 5H



\$535

MODEL 5H-L



\$575

RIGHT HANDED
LEFT HANDED

RECOMMENDED ACCESSORIES

**MI TACTICAL
LIGHT MOUNT**



\$35

**EOTECH 518
HOLOGRAPHIC RED
DOT SIGHT**

* Requires MI Tactical Light Mount



\$499

*CA, CT, MA, MD, NJ, NY information available on Post-Ban Pages

ORDER BY PHONE: 860.229.9994

DIRECT GAS OPERATED RIFLES

MODEL 6 SERIES

- 2-STAGE MATCH TRIGGER
- PERFECT FOR VARMIN'T HUNTING

Weight: 10 lbs

Barrel: 24" 1/8 stainless steel bull barrel

Chamber: 5.56 NATO (.223 REM)

Handguard: Free floating Hogue tube

Buttstock: A2 buttstock with trap door for storage

Front/Rear Sight: Low profile gas block/none

Bolt Carrier: Enhanced semi-auto with a manganese phosphate coating

Grip: Hogue over-molded grip

Muzzle Device: 11 degree target crown

**TRANSFERABLE
LIFETIME
WARRANTY**

**.5" MOA
GUARANTEED**

RIGHT HANDED
LEFT HANDED

MODEL 6



\$1055

MODEL 6L



\$1095

**CA, CT, MA, MD, NJ, NY information available on Post-Ban Pages*

UPPER HALVES

MODEL 6H/6H-L

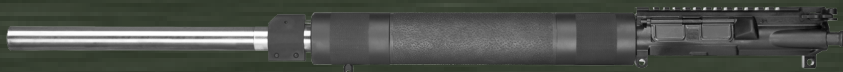
INCLUDES BOLT CARRIER, CHARGING HANDLE, AND INSTRUCTION MANUAL

MODEL 6H



\$595

MODEL 6H-L

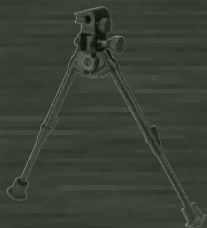


\$625

RIGHT HANDED
LEFT HANDED

RECOMMENDED ACCESSORIES

VERSA POD BIPOD



\$115

EOTECH XPS 2-0 HOLOGRAPHIC SCOPE



\$499

SAMSON FIELD SURVIVOR



\$119

*CA, CT, MA, MD, NJ, NY information available on Post-Ban Pages

ORDER BY PHONE: 860.229.9994

DIRECT GAS OPERATED RIFLES

STAG 7 SERIES

- 6.8 SPC
- TWO-STAGE MATCH TRIGGER

**TRANSFERABLE
LIFETIME
WARRANTY**

Weight: 7.8 lbs

Buttstock: A2 buttstock with trap door for storage

Barrel: 20.77" 1/11 stainless steel with custom S7 coating

Handguard: Free floating Hogue tube

Front/Rear Sight: Railed gas block/none

Chamber: 6.8 SPC with a SAAMI SPEC 2 chamber

Bolt Carrier: Enhanced semi-auto with a manganese phosphate coating

Grip: Hogue over-molded grip

Muzzle Device: 11 degree target crown

RIGHT HANDED
LEFT HANDED

STAG 7



\$1055

STAG 7L



\$1095

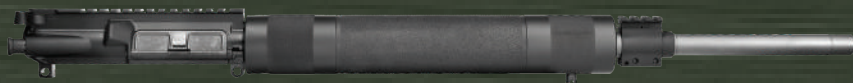
**CA, CT, MA, MD, NJ, NY information available on Post-Ban Pages*

UPPER HALVES

MODEL 7H/7H-L

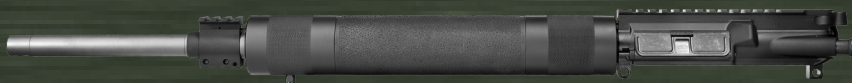
INCLUDES BOLT CARRIER, CHARGING HANDLE, AND INSTRUCTION MANUAL

MODEL 7H



\$595

MODEL 7H-L



\$625

RIGHT HANDED
LEFT HANDED

RECOMMENDED ACCESSORIES

VERSA POD BIPOD



\$115

OTIS RIFLE CLEANING KIT



\$37

SAMSON FIELD SURVIVOR



\$119

*CA, CT, MA, MD, NJ, NY information available on Post-Ban Pages

ORDER BY PHONE: 860.229.9994

PISTON OPERATED RIFLES

MODEL 8 SERIES

Weight: 6.9 lbs

Barrel: 16" 1/9 chrome lined

Handguard: Thermoplastic polymer

Chamber: 5.56 NATO (.223 REM)

Buttstock: Mil-Spec collapsible 6 position

Front/Rear Sight: DiamondHead flip up front and rear sights

Bolt Carrier: One piece bolt carrier with a manganese phosphate coating

Grip: A2 style plastic grip

Muzzle Device: A2 flash hider

**TRANSFERABLE
LIFETIME
WARRANTY**

RIGHT HANDED

MODEL 8



\$1145

LEFT HANDED

MODEL 8L



**PLUS PACKAGES AVAILABLE
ON PAGE 49**

\$1175

**CA, CT, MA, MD, NJ, NY information available on Post-Ban Pages*

UPPER HALVES

MODEL 8H/8H-L

INCLUDES BOLT CARRIER, CHARGING HANDLE, AND INSTRUCTION MANUAL

MODEL 8H



\$869

MODEL 8H-L



\$889

RIGHT HANDED
LEFT HANDED

RECOMMENDED ACCESSORIES

AMBI CHARGING HANDLE



\$86

EOTECH XPS 2-0 HOLOGRAPHIC SCOPE



\$499

SAMSON PISTON FIELD SURVIVOR



\$99

*CA, CT, MA, MD, NJ, NY information available on Post-Ban Pages

ORDER BY PHONE: 860.229.9994

PISTON OPERATED RIFLES

MODEL 8T SERIES

Weight: 7.25 lbs

Barrel: 16" 1/9 chrome lined

Handguard: Free-float DiamondHead VRS-T handguard

Chamber: 5.56 NATO (.223 REM)

Buttstock: Mil-Spec collapsible 6 position

Front/Rear Sight: DiamondHead low profile front/rear flip up sight

Bolt Carrier: One piece bolt carrier with a manganese phosphate coating

Grip: A2 style plastic grip

Muzzle Device: A2 flash hider

**TRANSFERABLE
LIFETIME
WARRANTY**

RIGHT HANDED

MODEL 8T



\$1275

LEFT HANDED

MODEL 8T-L



**PLUS PACKAGES AVAILABLE
ON PAGE 49**

\$1295

**CA, CT, MA, MD, NJ, NY information available on Post-Ban Pages*

UPPER HALVES

MODEL 8HT/8HT-L

INCLUDES BOLT CARRIER, CHARGING HANDLE, AND INSTRUCTION MANUAL

MODEL 8HT



\$969

MODEL 8HT-L



\$989

RIGHT HANDED
LEFT HANDED

RECOMMENDED ACCESSORIES

**DIAMONDHEAD
VRS-T RAIL
SECTIONS:
3"/6"**



\$15/\$22

**EOTECH XPS 2-0
HOLOGRAPHIC SCOPE**



\$499

**SAMSON PISTON
FIELD SURVIVOR**



\$99

**CA, CT, MA, MD, NJ, NY information available on Post-Ban Pages*

ORDER BY PHONE: 860.229.9994

DIRECT GAS OPERATED RIFLES

MODEL 3G SERIES

- INCLUDES THREE RAIL SECTIONS

Weight: 7.8 lbs

Chamber: 5.56 NATO chamber. (.223 REM)

Barrel: 18" 1/8 fluted heavy barrel profile

Buttstock: Magpul ACS 6-position buttstock

Handguard: 15" free-float Samson Evolution

Front/Rear Sight: None

Grip: Magpul MOE

Muzzle Device: Stag 3G compensator

Bolt Carrier: Enhanced semi-auto with a manganese phosphate coating

**TRANSFERABLE
LIFETIME
WARRANTY**

RIGHT HANDED

MODEL 3G



\$1459

LEFT HANDED

MODEL 3G-L



\$1479

**CA, CT, MA, MD, NJ, NY information available on Post-Ban Pages*

UPPER HALVES

MODEL 3GH/3GH-L

INCLUDES BOLT CARRIER, CHARGING HANDLE, AND INSTRUCTION MANUAL

MODEL 3GH



\$775

MODEL 3GH-L



\$785

RIGHT HANDED
LEFT HANDED

RECOMMENDED ACCESSORIES

**DUECK DEFENSE
RTS SIGHT SET**



\$200

**EOTECH XPS 2-0
HOLOGRAPHIC SCOPE**



\$499

**SAMSON FIELD
SURVIVOR**



\$119

**CA, CT, MA, MD, NJ, NY information available on Post-Ban Pages*

ORDER BY PHONE: 860.229.9994

DIRECT GAS OPERATED RIFLES

MODEL 3T SERIES

Weight: 7.4 lbs

Chamber: 5.56 NATO (.233 REM)

Barrel: 16" 1/9 chrome lined

Handguard: DiamondHead VRS-T free float

Buttstock: Mil-Spec collapsible 6 position

Front/Rear Sights: Polymer

DiamondHead front & rear flip up

Bolt Carrier: Semi-auto with a manganese phosphate coating

Grip: A2 style plastic grip

Muzzle Device: A2 flash hider

RIGHT HANDED

MODEL 3T



\$999

LEFT HANDED

MODEL 3T-L



**TRANSFERABLE
LIFETIME
WARRANTY**

\$1019

RIGHT HANDED

MODEL 3HTM UPPER

INCLUDES BOLT CARRIER, CHARGING HANDLE,
INSTRUCTION MANUAL, AND METAL SIGHTS



\$725

*CA, CT, MA, MD, NJ, NY information available on Post-Ban Pages

DIRECT GAS OPERATED RIFLES

MODEL 3T-M SERIES

Weight: 7.5 lbs

Chamber: 5.56 NATO (.223 REM)

Barrel: 16" 1/9 chrome lined

Handguard: DiamondHead VRS-T free float

Buttstock: Magpul ACS 6-position buttstock

Bolt Carrier: Semi-auto with a manganese phosphate coating

Front/Rear Sights: Aluminum DiamondHead front & rear flip up

Grip: Magpul MOE

Muzzle Device: A2 flash hider

MODEL 3T-M



\$1160

RIGHT HANDED

MODEL 3TL-M



TRANSFERABLE
LIFETIME
WARRANTY

\$1180

LEFT HANDED

MODEL 3HTM-L UPPER

INCLUDES BOLT CARRIER, CHARGING HANDLE,
INSTRUCTION MANUAL, AND METAL SIGHTS

\$755



LEFT HANDED

*CA, CT, MA, MD, NJ, NY information available on Post-Ban Pages

ORDER BY PHONE: 860.229.9994

BLOWBACK RIFLES

MODEL 9 SERIES

Weight: 6.8 lbs

Chamber: 9mm

Barrel: 16" 1/9 chrome lined

Handguard: Diamondhead VRS-T drop in

Buttstock: Mil-Spec collapsible 6 position

Front/Rear Sights: Picatinny railed gas block/no rear sight

Bolt Carrier: 9mm with a manganese phosphate coating

Grip: A2 style plastic grip

Muzzle Device: A2 flash hider

**TRANSFERABLE
LIFETIME
WARRANTY**

RIGHT HANDED

MODEL 9



\$990

LEFT HANDED

MODEL 9L



\$1025

**CA, CT, MA, MD, NJ, NY information available on Post-Ban Pages*

BLOWBACK RIFLES

MODEL 9T SERIES

Weight: 7.9 lbs

Chamber: 9mm

Barrel: 16" 1/9 chrome lined

Handguard: DiamondHead VRS-T 13.5" free float

Buttstock: Mil-spec collapsible 6 position

Bolt Carrier: 9mm with a manganese phosphate coating

Front/Rear Sights: Metal Diamondhead premium sight set

Grip: A2 style plastic grip

Muzzle Device: A2 flash hider

**TRANSFERABLE
LIFETIME
WARRANTY**



MODEL 9T

\$1275



MODEL 9T-L

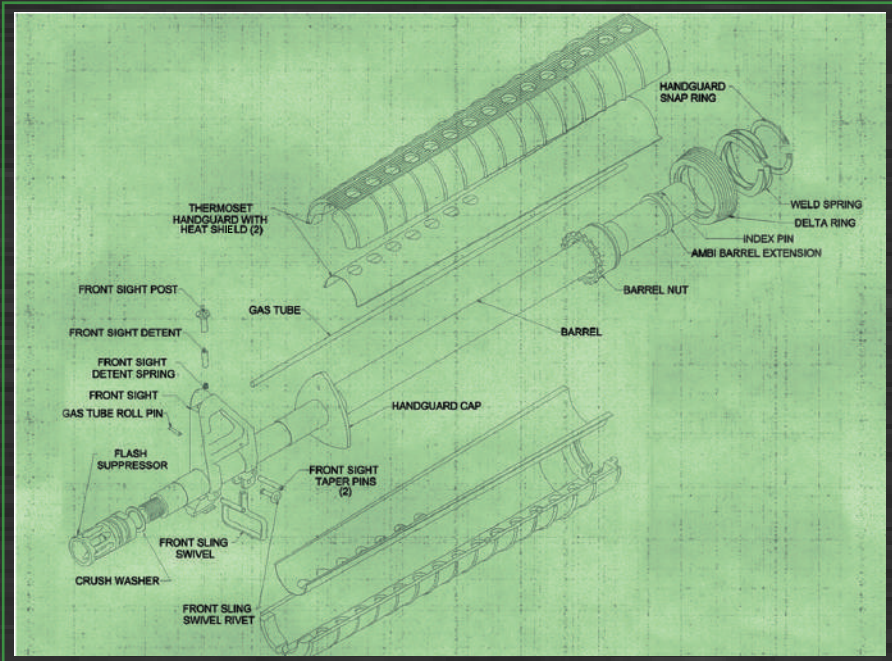
\$1295

**RIGHT HANDED
LEFT HANDED**

**CA, CT, MA, MD, NJ, NY information available on Post-Ban Pages*

ORDER BY PHONE: 860.229.9994

BARREL ASSEMBLIES



PRICES

Gas Tube Carbine	\$ 8.50	Handguard Rifle	\$18.00
Gas Tube Rifle	\$ 8.50	Handguard Stag-4	\$18.00
Handguard Snap Ring	\$ 1.00	Hogue Handguard	\$95.00
Weld Spring	\$ 4.00	Front Sling Swivel Rivet	\$ 1.00
Delta Ring	\$ 5.00	Front Sling Swivel	\$ 3.00
Barrel Index Pin	\$ 1.00	Flash Suppressor	\$ 6.00
Ambi Barrel Extension	\$22.00	Crush Washer	\$ 2.00
Stag-4 Barrel Extension	\$16.00	Gas Tube Roll Pin	\$ 0.50
Barrel Nut	\$ 6.00	Front Sight PreBan F Marked	\$20.00
Handguard Cap Round	\$ 2.00	Front Sight Detent Spring	\$ 0.50
Handguard Cap Triangle	\$ 2.00	Front Sight Detent	\$ 0.50
Front Sight Taper Pins (2)	\$ 6.00	Front Sight Post	\$ 2.50
		Post Ban Front Sight	\$20.00



Stag Comp

\$25



A2 Flash Suppressor

\$6



Stag 3G Comp

The Stag 3G Comp answers the call of shooters looking for a muzzle device to help control muzzle rise for quick follow up shots often required in 3-Gun competition.

\$69

*Add \$5.00 to Stag Comp or A2 Flash Suppressor for 6.8 SPC

*Thread Pitch: 5.56: 1/2x28 | 6.8: 1/2x36

BARREL ASSEMBLIES

11.5" Barrel Assembly
1/7 Twist
4150 Steel
Carbine Gas System

5.56 MM

\$300

Includes: A2 Flashhider, F-Marked Front Sight w/ Side Sling Swivel, Gas Tube, Thermoplastic Handguards



14.5" Barrel Assembly
1/7 Twist
4150 Steel
Carbine Gas System

5.56 MM

\$300

Includes: A2 Flashhider, F-Marked Front Sight w/ Side Sling Swivel, Gas Tube, Thermoplastic Handguards



16" Barrel Assembly
1/9 Twist
Government Profile
Carbine Gas System

6.8 SPC/5.56 MM

\$275/\$250

Includes: A2 Flashhider, F-Marked Front Sight w/ Side Sling Swivel, Gas Tube, Thermoplastic Handguards

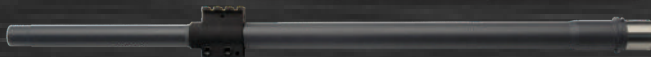


20" Barrel Assembly
1/9 Twist
Heavy Profile
Rifle Length Gas System
5.56 NATO Chamber

5.56 MM

\$250

Includes: A2 Flashhider, F-Marked Front Sight, Gas Tube, Thermoplastic Handguards

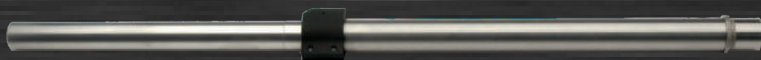


20.77" Barrel Assembly
1/11 Twist
Heavy Profile
S7 Non-Reflective Coating
6.8 SPEC II Chamber

6.8 SPC

\$350

Includes: Gas Block, Gas Tube, Hogue Free Float Handguard



24" Barrel Assembly
1/8 Twist
Heavy Profile
Rifle Length Gas System
5.56 NATO Chamber

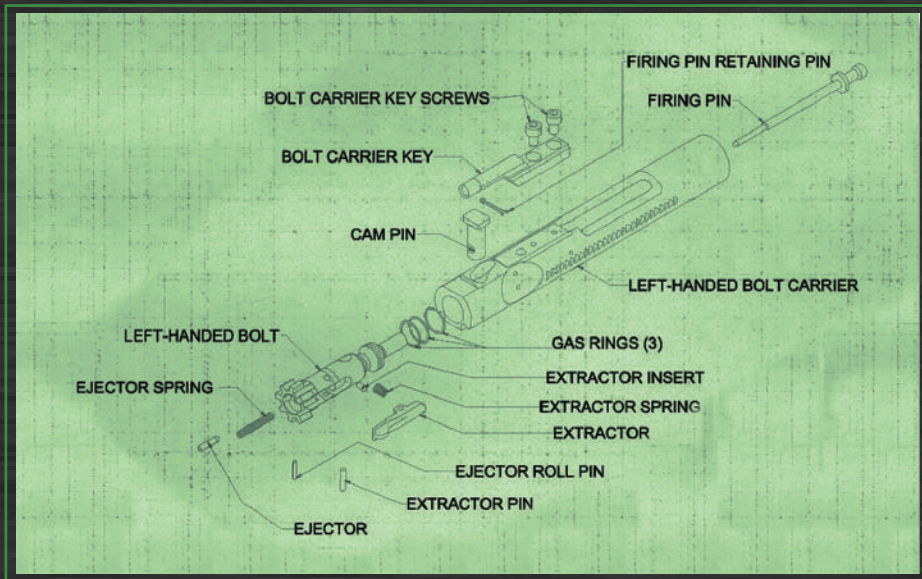
5.56 MM

\$330

Includes: Gas Block, Gas Tube, Hogue Free Float Handguard

ORDER BY PHONE: 860.229.9994

BOLT CARRIER ASSEMBLIES



PRICES

Ejector	\$ 2.00	Right-Handed Bolt Carrier	\$ 55.00
Ejector Spring	\$ 0.50	Right-Handed Bolt Carrier /w key	\$ 65.00
Extractor Pin	\$ 1.00	Cam Pin	\$ 4.00
Extractor Roll Pin	\$ 0.50	Left-Handed Bolt	\$ 40.00
Extractor	\$ 9.00	Right-Handed Bolt	\$ 25.00
Extractor Spring	\$ 0.50	Left-Handed Bolt Assembly	\$ 65.00
Extractor Insert	\$ 0.50	Right-Handed Bolt Assembly	\$ 45.00
Gas Rings (3)	\$ 2.00	Bolt Carrier Assembly Left	\$160.00
Firing Pin	\$ 6.00	Bolt Carrier Assembly Right	\$155.00
Firing Pin Retaining Pin	\$ 1.00		
Bolt Carrier Key Screws (2)	\$ 2.00		
Bolt Carrier Key	\$ 9.00		

*Note: 6.8 SPC Bolt Carrier add \$15.00
HP/MPI Testing add \$5.00*

BOLT UPGRADES



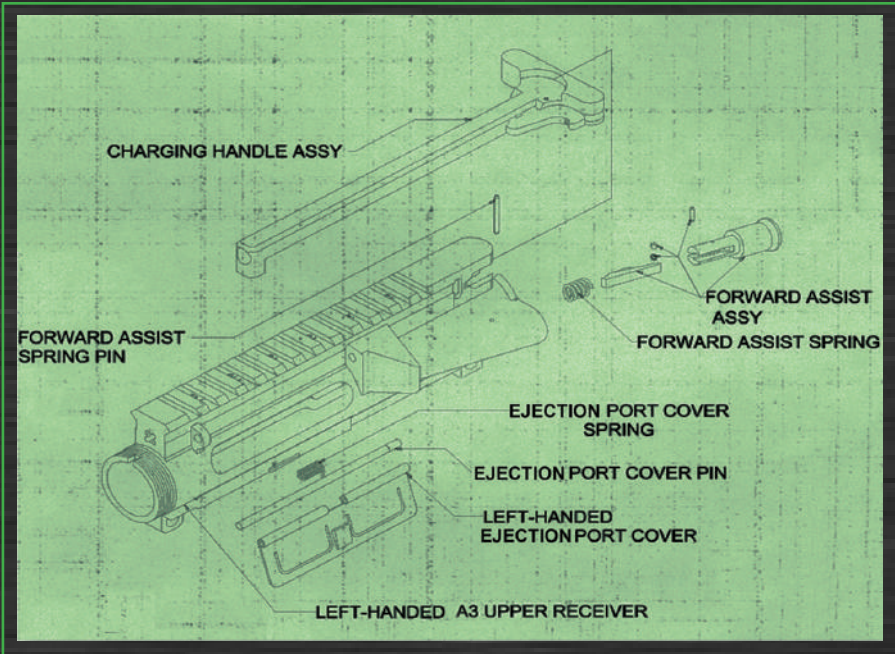
CHROME

NICKEL TEFLON

Chrome Bolt Upgrade	\$ 10.00	Nickel Teflon Bolt Upgrade	\$ 10.00
Chrome Bolt Carrier Upgrade	\$ 30.00	Left-Handed Nickel Teflon Bolt Upgrade	\$ 30.00

Note: Not HP/MPI tested

UPPER RECEIVER ASSEMBLIES



PRICES

Forward Assist Spring Pin	\$ 0.50	C-Clamp (not shown right-handed only)	\$ 0.50
Forward Assist Assembly	\$ 11.00	Ejector Port Cover Kit	\$ 6.50
Forward Assist Spring	\$ 1.00	Upper Receiver Parts Kit	\$ 18.50
Right-Handed Flattop Upper Receiver	\$100.00		
Ejection Port Cover Spring	\$ 0.50		
Ejection Port Cover Pin	\$ 2.00		
Ejection Port Cover	\$ 5.00		
Ejection Port Cover Left	\$ 5.00		
Charging Handle Assembly	\$ 17.50		



Left-Handed A3 Flattop Upper-Assembly

\$182



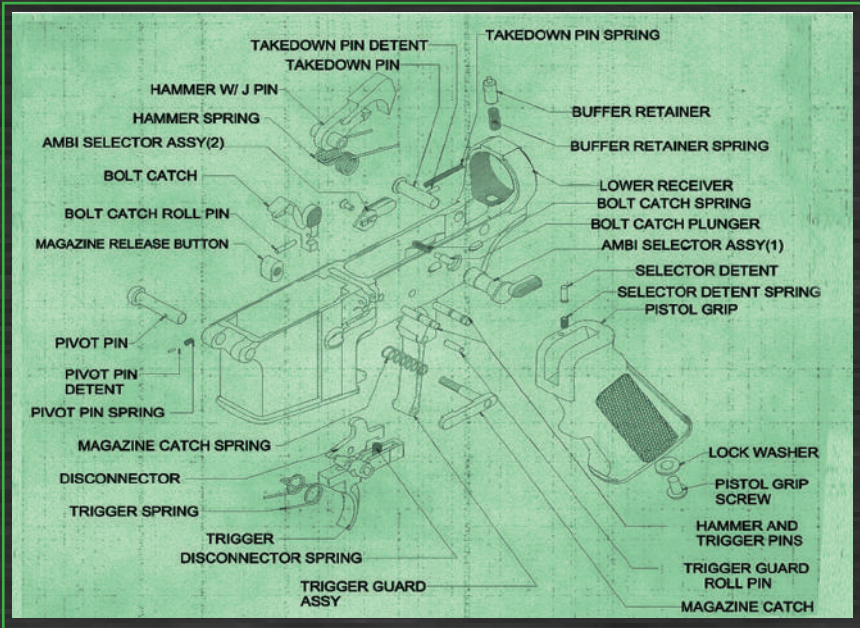
Right-Handed A3 Flattop Upper-Assembly

\$119

ALL UPPER RECEIVERS COME WITH M4 FEED RAMPS

ORDER BY PHONE: 860.229.9994

LOWER HALF ASSEMBLIES



PRICES

Buffer Retainer	\$ 0.70	Trigger Spring	\$ 1.00
Buffer Retainer Spring	\$ 0.50	Disconnecter	\$ 4.25
Lower Receiver	\$135.00	Magazine Catch Spring	\$ 0.50
Bolt Catch Spring	\$ 0.50	Pivot Pin Spring	\$ 0.50
Bolt Catch Plunger	\$ 0.60	Pivot Pin Detent	\$ 0.50
Ambi Selector Assembly	\$ 25.00	Pivot Pin	\$ 3.00
Left Handed Selector	\$ 15.00	Magazine Release Button	\$ 2.00
Standard Safety Selector	\$ 9.00	Bolt Catch Roll Pin	\$ 0.50
Safety Detent	\$ 0.75	Bolt Catch	\$ 7.00
Safety Detent Spring	\$ 0.50	Hammer Spring	\$ 1.00
Pistol Grip	\$ 3.50	Hammer with J-Pin	\$ 12.50
Lock Washer	\$ 1.00	Takedown Pin	\$ 3.00
Pistol Grip Screw	\$ 1.00	Takedown Pin Detent	\$ 0.50
Hammer/Trigger Pins	\$ 2.20	Takedown Pin Spring	\$ 0.50
Trigger Guard Roll Pin	\$ 0.50	Receiver End Plate	\$ 3.50
Trigger Guard Assembly	\$ 5.00	Receiver Nut	\$ 4.00
Magazine Catch	\$ 3.50	Lower Receiver Parts Kit	\$ 66.00
Disconnecter Spring	\$ 0.50	Lower Receiver Parts Kit	\$ 82.00
Trigger	\$ 11.00	(w/ Ambi Selector)	
Two-Stage Match Trigger	\$110.00	Lower Receiver Parts Kit	\$ 72.00
		(w/ Left Handed Selector)	

*CA, CT, MA, MD, NJ, NY information available on Post-Ban Pages

LOWER HALF ASSEMBLIES

ALL MULTI CALIBER

Tactical Lower Half

\$300

Includes six-position collapsible stock, forged lower receiver, installed lower parts kit, and carbine buffer assembly. Features mil-spec receiver extension, ergonomic cheek rest, sling swivel, and increased surface area against shoulder.



A2 Lower Half

\$300

Includes A2 style buttstock, forged lower receiver, installed lower parts kit, and A2 buffer assembly. Features mil-spec receiver extension, storage compartment, and sling swivel.



Tactical Fixed Lower Half

\$300

New Dual Purpose fixed stock for Tactical & Sporting use, forged lower receiver, installed lower parts kit, and A2 buffer assembly. Features mil-spec receiver extension, storage compartment and sling swivel.



Lower Receiver with Lower Parts Kit installed:

\$209

Mil-spec lower receiver with right-hand lower parts kit installed.



Stripped Lower Receiver

\$135

Stripped Lower Receiver forged from 7075 T6 Aluminum.



BUTTSTOCK KITS

Tactical Buttstock Kit

\$90

- Mil-Spec Receiver Extension
- Six-Position Collapsible Stock
- Ergonomic Cheek Rest
- Sling Swivel



A2 Buttstock Kit

\$90

- Mil-Spec Receiver Extension
- Storage Compartment
- Sling Swivel



Tactical Fixed Buttstock Kit

\$90

New Dual Purpose fixed stock for Tactical & Sporting use:

- Enhanced ergonomics for superior comfort and stability
- Internal Storage Cavity
- Capable of holding a spare bolt assembly, batteries and other small items
- Multiple sling attachment points including a dual sided QD Cup



A2 Aftermarket Buttstock Kit

\$32

This kit includes: A2 receiver extension, buffer assembly, action spring, buttcap spacer, screw.



Mil Spec Aftermarket Buttstock Kit

\$58

Everything you need to add to a lower and then install a mil spec aftermarket stock. This kit includes a carbine action spring, carbine standard weight buffer assembly, Mil-spec 6 position extension receiver end plate, and receiver nut.



Buffer Assemblies

- Carbine Buffer Assembly: \$8.00
- A2 Buffer Assembly: \$8.50
- Heavy Buffer Assembly: \$19.75
- Extra-Heavy Buffer Assembly: \$27.50

SIGHTS

Midwest Industries Flip Up Rear Sight **\$95**

Midwest Industries ERS (Emergency Rear Sight) is made to be rugged to prevent damage while still offering the A2 style dual rear apertures. Made of 6061 T6 Aluminum with a type 3 hard coat anodizing. Attaches to picatinny rails. .65 MOA windage adjustment per click.



Samson Quick Flip FFS-EXT **\$95**

Railed gas block folding front sight clears M4 grips when folded and is spring loaded for easy deployment. Uses standard AR15 post and detent and the sights are equal to F marked front sight base height. Aluminum construction and mil-spec hard coat anodized. Designed specifically for Stag Arms gas block.



Diamondhead Classic Rear Sight **\$119**

Diamondhead's CLASSIC Rear Sight's revolutionary design incorporates traditional CLASSIC round apertures and the "goal-post" style Upper Housing. The CLASSIC sight has a very low folded height of 0.435" and is compatible with all Mil. Std. M1913 Picatinny rail systems



Dueck Defense Rapid Transition Sights **\$200**

The RTS sight system provides the competitive, L/E or Military tactical shooter with the quickest transition possible from optical to offset iron sights. The Rapid Latch reduces the reload time on FN SLP and Winchester Super X shotguns increasing shooter efficiency in competitive and tactical situations.



DiamondHead Combat Sights Kit **\$238**

- Flips up quickly for rapid deployment
- Folds down with the push of a button
- Locking system ensures sight stays up securely and remains zeroed in during combat situations



A3 Carry Handle **\$110**

Carry your rifle just like the U.S Army. Form allows function with this simple design. Easily attach to a Picatinny rail system. Adjustable elevation and windage. Dual apertures for 300 m and 600 m targets. Available in left-handed or standard configuration. Made by Stag Arms. Quality to last a lifetime.



ACCESSORIES

Samson Free Float Rail System

\$259

Carbine-length free float rail system. Made from 6061 T6 Aluminum, hard coat anodized, with laser engraved Stag Arms. Two-piece design allows for easy installation without front sight removal. Unique design forms continuous top rail. Lower half easily removes for cleaning. Weight: 10.5 oz. Length: 7"



Samson Drop-In Rail System

\$195

The SAMSON - DI is a drop-in rail system that does not require permanent modification to the firearm. At 9.1 oz, the DI is a solid addition to any carbine.



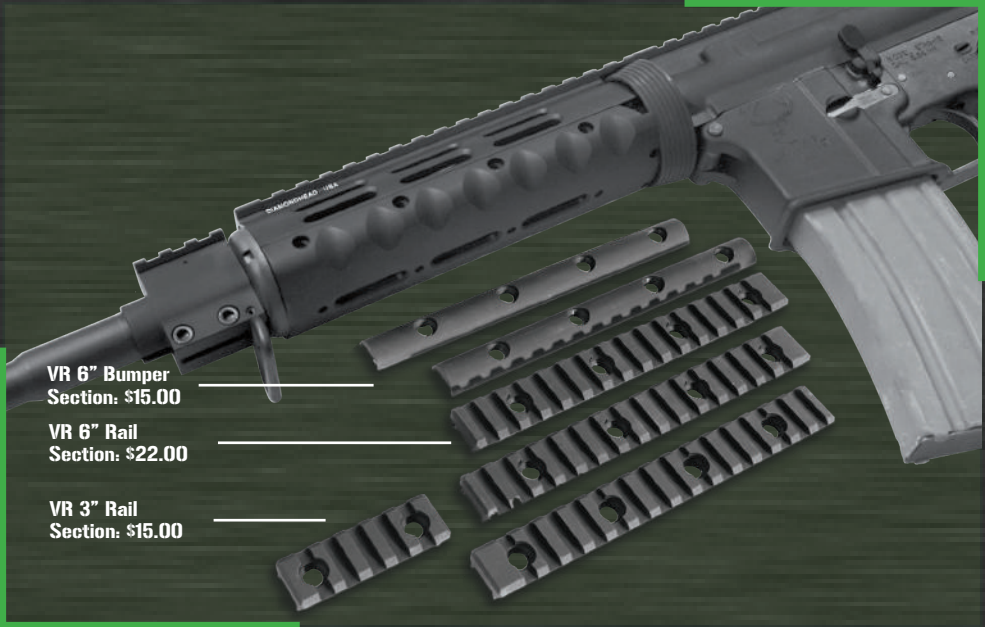
V-RS Drop-In Modular Rail System

\$119

- Combat Durable
- Fast configuration changes
- Fits all STAG ARMS Carbine models
- Mil SPEC Class 3 Hardcoat finish
- Not recommended to install sights directly onto it



VERSARAIL ACCESSORIES



VR 6" Bumper
Section: \$15.00

VR 6" Rail
Section: \$22.00

VR 3" Rail
Section: \$15.00

ACCESSORIES

Norgon Ambi-Catch

\$90

Lefty? No more fumbling with a magazine change. Release with the push of a finger. No complicated methods. Easily installs on the left of the lower receiver in a few turns. Best ambi-mag release on the market. Used in Afghanistan and Iraq by U.S Marines.



Ambi Selector

\$25

No fumbling, no mishaps. Be sure your selector is in the proper position. Fire selection from the left side made easy. Also ideal for tactical scenarios. You never know when danger may force you to compromise firing position. Made by Stag Arms. Quality to last a lifetime.



Left-Handed Selector

\$15

Stag Arms has finally engineered a true Left-Handed Safety Selector. They are now a standard feature on all of our Left-Handed rifles. This is a must-have accessory for all Left-Handed conversion builds.



Ambi Charging Handle

\$86

Manufactured from 7075 aluminum with mil-spec type 3 hard coat anodizing the ambi charging handle allows the charging of the rifle from either the left or right hand side. The charging handle is rugged and durable to stand up to the harshest conditions and use.



.22 LR Kit

\$220

The conversion kit is constructed of stainless steel, and is compatible with both our direct gas and piston operated rifles. Quickly installs into the upper and allows the use of inexpensive .22LR cartridge for practice. Great for indoor range shooting. The conversion kit features: steel extractor pin, stainless steel firing pin with a captured spring, cotter pin in the bolt that retains firing pin, forward assist adapter, buffer retaining relief cut, and chamber adapter for easy live round extraction.

Comes with one 25 round magazine. (10 round magazine available for states with magazine restriction)

Available in left and right handed.



Additional .22 magazine available:

10rd Magazine .22 CAL: \$20.00
25rd Magazine .22 CAL: \$20.00

ORDER BY PHONE: 860.229.9994

ACCESSORIES

Field Repair Kit

\$32

- | | |
|----------------------------------|-------------------------------|
| (1) Bolt Cam Pin | (1) Disconnecter |
| (1) Hammer Spring | (1) Bolt Gas Rings (set of 3) |
| (1) Trigger Spring | (1) Extractor Pin |
| (1) Ejector/Safety Detent Spring | (1) Firing Pin |
| (1) AR15/M16 Extractor | (2) Firing Pin Retaining Pin |
| (2) Extractor Springs | (1) Safety Detent |
| (2) Extractor Spring Inserts | |



Parts Replacement Kit

\$13

This kit comes with the most commonly lost parts for your rifle. A must have for all builders. Includes:

- | | |
|-----------------------------------|------------------------------|
| (2) Buffer Retainer Springs | (2) Buffer Retainers |
| (4) Pivot/Takedown Detent Springs | (2) Safety Detent Pins |
| (2) Safety Detent Springs | (2) Extractor Springs |
| (4) Pivot/Takedown Detent Springs | (2) Extractor Spring Inserts |



Full Size Otis Cleaning Kit

\$37

The .223/5.56 comes standard with bore and chamber brushes to clean and maintain your AR15's. By using the flexible Memory-Flex cleaning rod, it is only possible to clean correctly, from Breech-to-Muzzle, in the natural direction of the bullet. With this system, the receiver, locking lugs, chamber, shoulder and neck can easily be cleaned. The handy obstruction removers that are included can dislodge bore obstructions, such as mud or snow, and push them out through the muzzle end.



Samson Field Survivor Kit

Direct Gas: **\$119**

Gas Piston: **\$99**

The Field Survivor tool is the one tool necessary for every AR to keep you safe in combat, or at play on the range. Just insert the Survivor into place and twist the base to lock it in. The Field Survivor fits all AR pistol grips and Hogue AR15 Rev 2 grips.



ACCESSORIES

Magazines

The same as used by the United States armed forces. Dry film lube finish, standard green AR follower and tempered steel spring. Caliber 5.56 NATO.

- 30 Rd 5.56 mm Magazine: \$20.00
- 30 Rd limited to 10 Rd 5.56 mm: \$20.00
- 40 Rd 5.56 mm: \$24.00
- 20 Rd 5.56mm Magazine: \$20.00
- 10 Rd 5.56 mm Magazine: \$20.00
- 5 Rd 5.56 mm Magazine: \$20.00
- 25 Rd 6.8mm Magazine: \$30.00
- 10 Rd 6.8 mm Magazine: \$30.00
- 5 Rd 6.8mm Magazine: \$30.00



Versa Pod Bipod Kit

\$115

Versa 52 bipod with mount for Hogue free float handguard. The all-around size for the versatile shooter. It can be used at the range, hunting, shooting prone, and from many other surfaces. Includes friction lock knobs for Pan & Tilt and Cant Rotation. The legs have rubber feet that extend from 9 inches to 12 inches.



Stag Gear

You know the quality, that's why you own a Stag Arms. You deserve a quality t-shirt, hat, or watch.

T-SHIRT PRICES/SIZES:

- M/L/XL \$16
- 2XL: \$18
- 3XL: \$20



Stag Arms A2 Bottle Opener: \$25



Winter Hat: \$12



Lefty or Righty: You're Covered



Tactical Watch: \$350



Stag Arms Hat: \$15



Team Stag Arms



Smoking Gun

ORDER BY PHONE: 860.229.9994

ACCESSORIES

Hogue Grip

\$25

Increase comfort and stability with a Hogue Grip. Better handling with non-slip grasp area, ergonomic finger grooves, and enlarged palm swells. Great for long-range shooting.



Magpul Rail Vertical Grip (RVG)

\$25

Designed for use with 1913 Picatinny railed hand guards, the RVG is a basic, light weight, cost-effective vertical fore grip. Shape is ergonomically designed for use as a traditional vertical grip. Includes all mounting hardware plus a universal mounting rail for custom fitting to many factory plastic hand guards.



MI Tactical Light Mount

\$35

A great way to mount a flashlight or laser on one of our models with a fixed front sight (Model 1, 2, 2T, 4, 5) without having to change the handguards. Also has two swivel sockets for use with a quick detach sling. Very solid and secure with a simple one bolt installation.



**CA, CT, MA, MD, NJ, NY information available on Post-Ban Pages*

LIGHTS

StreamLight TLR-1s

\$135

Intensely bright, virtually indestructible tactical light, attaches/detaches to almost any gun in seconds. Now featuring the latest C4 LED technology producing 2 to 3 times the output of previous LEDs.



HOLOGRAPHIC SIGHTS

EoTech 518 Holographic Red Dot Sight

\$499

The best just got better. The 518 runs on easy to find AA batteries but offers all of the features found in EOTech's EXPS top of the line sight. With side button functionality you can reduce rail space when partnering the 518 with an EOTech magnifier. The 518 is also compatible with the new drop-in Laser Battery Caps that EOTech designed to enhance aiming through the use of visible and IR lasers.



VORTEX Strikefire II Red Dot Sight

\$235

- **Single-Piece Chassis** - Compact and lightweight.
- **Waterproof** - O-ring seals prevent moisture, dust and debris from penetrating for reliable performance in all environments.
- **Fogproof** - Nitrogen gas purging delivers fogproof, waterproof performance.
- **Shockproof** - Rugged construction withstands recoil and impact.
- **Hard Anodized Finish** - Highly durable low-glare matte finish.
- **Operating Temperature** - Rated from -22 degrees to +140 degrees Fahrenheit.



EoTech XPS 2-0 Holographic Red Dot Sight

\$499

Shortest model sight yet! This sight is smaller than the former N-cell battery sight (511/551) and runs on a single 123 battery. It also has a longer battery life than the N-cell style sights. With the new single battery configuration, the XPS allows more rail space than ever, leaving more room for rear iron sights or magnification. Smaller, lighter, and always fast; the XPS series is a great new addition.



*CA, CT, MA, MD, NJ, NY information available on Post-Ban Pages

ORDER BY PHONE: 860.229.9994

ORDERING INFORMATION

ORDER ONLINE, BY PHONE, OR MAIL

All payments should be made by Visa, MasterCard, Discover, Certified Check or Money Order.

FFL INFORMATION

A current signed FFL is required before processing firearms orders. Please have your FFL available if ordering by phone.

SHIPPING INFORMATION

Shipping charges are estimates and apply to pre-paid orders only. Rates do not apply to packages over 20 pounds. Next Day, Second Day Air and 3 Day Select packages require additional charge. Call for pricing. All totals figured in U.S dollars. All prices subject to change without notice.

Order Total:

\$0.00 - \$99.00
\$100.00 - \$249.00
\$250.00 - \$499.00
\$500.00 & up

Shipping Cost:

\$ 7.00
\$12.00
\$18.00
\$20.00

STAG ARMS

515 John Downey Drive
New Britain, CT 06051

Hours 9-5 EST, Monday - Friday

Phone: 860 - 229 - 9994

Fax: 860 - 229 - 3738

sales@stagarms.com

www.stagarms.com

LIFETIME TRANSFERABLE WARRANTY

LIFETIME TRANSFERABLE WARRANTY.

INFINITE SHOT BARREL GUARANTEE.

****ALL WARRANTY/REPAIR ISSUES ARE HANDLED DIRECTLY BY STAG ARMS****
****DO NOT CONTACT YOUR DEALER FOR WARRANTY OR REPAIRS****

Stag Arms LLC manufactured firearms are warranted to be free from defects in materials and craftsmanship for the lifetime of the rifle. Parts and accessories are warranted for one year from the date of purchase. The liability of Stag Arms LLC under this warranty shall be limited solely to the obligation to repair or replace the item or defect at its discretion and to pay transportation and insurance charges for return of the item to owner for a rightful warranted claim. Modification or alteration of a firearm will void this warranty. The online warranty registration must be completed and submitted to Stag Arms LLC through our website www.stagarms.com/warranty. This warranty does not cover normal wear. Any damage resulting from careless handling, neglect, repairs, adjustments, modifications, corrosion, or improper ammunition are not covered. This warranty is transferable to future owners.

****INFINITE SHOT GUARANTEE:** The barrel of a rifle manufactured by us will be replaced at our discretion if the bore is worn out through normal wear.**

To initiate a Warranty claim, e-mail or call Stag Arms Service department at Service@stagarms.com or 860.229.9994x2 Monday - Friday 9:00 am - 5:00 pm EST.

PLEASE NOTE: Any shipment without a returned materials authorization (RMA) number written on the box will be returned to sender without being opened. If a replacement is required, all items covered under the warranty must first be received by Stag Arms before a replacement will be shipped. The item(s) concerned should be shipped (transportation charges prepaid), to the Warranty Department, Stag Arms LLC, 515 John Downey Dr. New Britain, CT 06051. The owner should insure the shipment and obtain a tracking number. Stag Arms LLC will not be responsible for loss or damage in transit. Stag Arms LLC will pay shipping and insurance charges for the return of an item to its owner if the related claim is a proper claim for warranty work. Materials, cases and boxes used to ship the item to us will not be returned. Under no circumstances shall Stag Arms LLC be responsible for incidental or consequential damages with respect to economic loss or injury to property, whether as a result of express or implied warranty, negligence or otherwise. Some states do not allow the exclusion or limitation of incidental or consequential damages, so the above limitation may not apply to you. Stag Arms LLC will not be responsible for the results of careless handling, unauthorized adjustments, unauthorized repairs, unauthorized modification, corrosion, neglect, ordinary wear and tear, or unreasonable use. Stag Arms LLC will not be responsible for the results of defective, low-quality, hand-loaded, reloaded or improper ammunition. At Stag Arms LLC we believe excellence is of the greatest importance. Like our products, our customer service representatives exceed the highest standards of customer support. If you have any questions about the Stag Arms product line, you'll find a helpful member of our team at your service - just call our Customer Service Line at 860.229.9994 Monday - Friday 9:00 am - 5:00 pm (ET). We can also promptly answer your questions or order inquiries, via email at sales@stagarms.com.

****States with assault weapon bans will have post-ban versions of the rifles shipped. States with magazine restrictions will have magazines shipped that comply with state laws.**

****Product configurations and prices are subject to change without notice. The most up to date information is available at www.stagarms.com or by calling 860-229-9994**

RETURNS

All unused or unopened products may be returned within 30 days. A restocking fee of 15% will be assessed on all purchases over \$100. Returns must be pre-approved by calling 860.229.9994. If a manufacturing defect or workmanship error is present, please contact Stag Arms and at the manufacturer's discretion, it will be either repaired or replaced.

EXCHANGES

Unused items may be exchanged within 30 days; include a copy of your invoice. Exchanges must be approved ahead of time by calling 860.229.9994. Return all pieces wrapped and packaged securely. Insure the package for your protection.

CONTACT INFORMATION

Mailing Address:

STAG ARMS LLC
515 John Downey Drive
New Britain, CT 06051

Web:

www.stagarms.com

Email:

customerservice@stagarms.com
sales@stagarms.com

Warranty Service, Returns & Repairs:

service@stagarms.com

International:

worldsales@stagarms.com

Phone: 860.229.9994

Fax: 860.229.3738

STAGARMS.COM