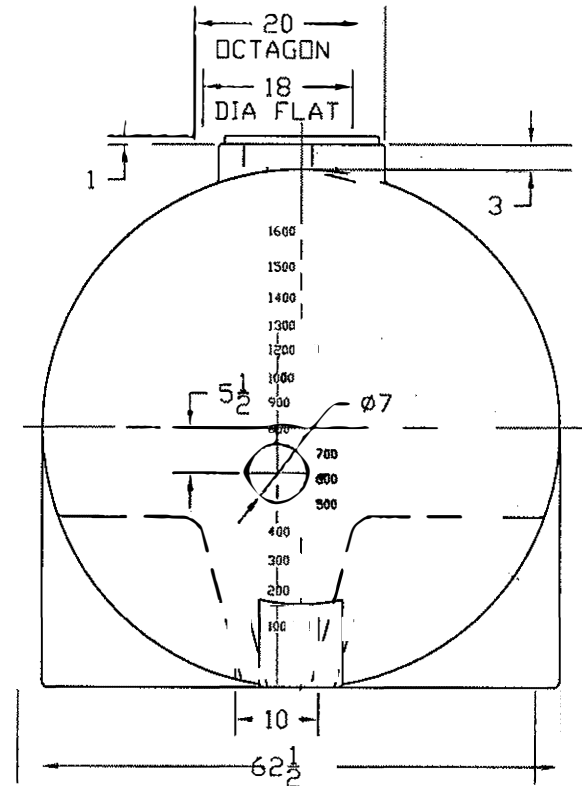
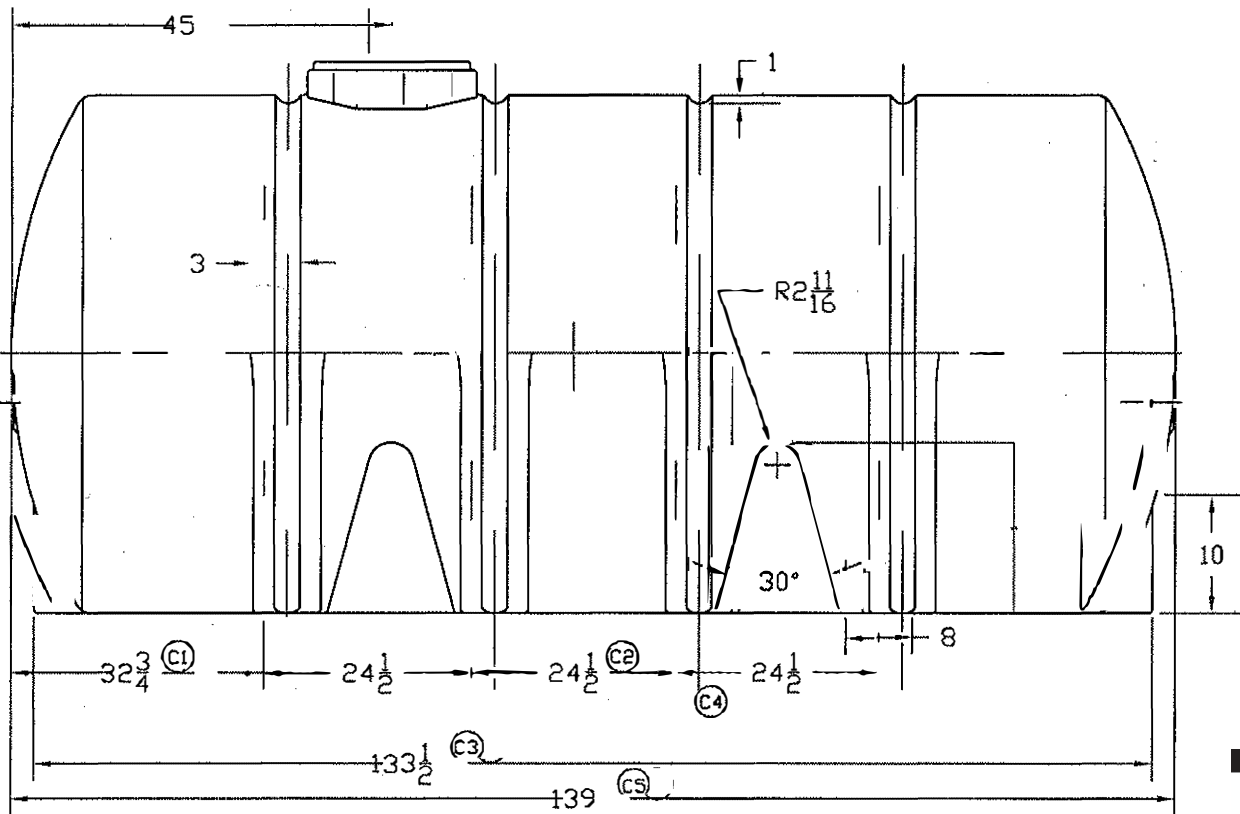


Model #
HA-1625/HDPE-
 Heavy duty horizontal detection
 tank with legs-
 (4) Support bands required

REVISIONS				
ZONE	REV	DESCRIPTION	DATE	APPROVED
	D	SPARGER FLATS REV'D.	17AUG04	

REVISIONS				
ZONE	REV	DESCRIPTION	DATE	APPROVED
	B	REDDRAWN	14AUG97	
	C	DIMS MATCHED TO PROD 23OCT01		
		WAS 1)32, 2)21,		
		3)129-1/4, 4)131, 5)134		



T&C **TOWN & COUNTRY PLASTICS**
 Customized For Precision

10B Timber Lane Marlboro, NJ 07746 • (732) 780-5300 •
 FAX: (732) 294-0001 • www.tandcplastics.com