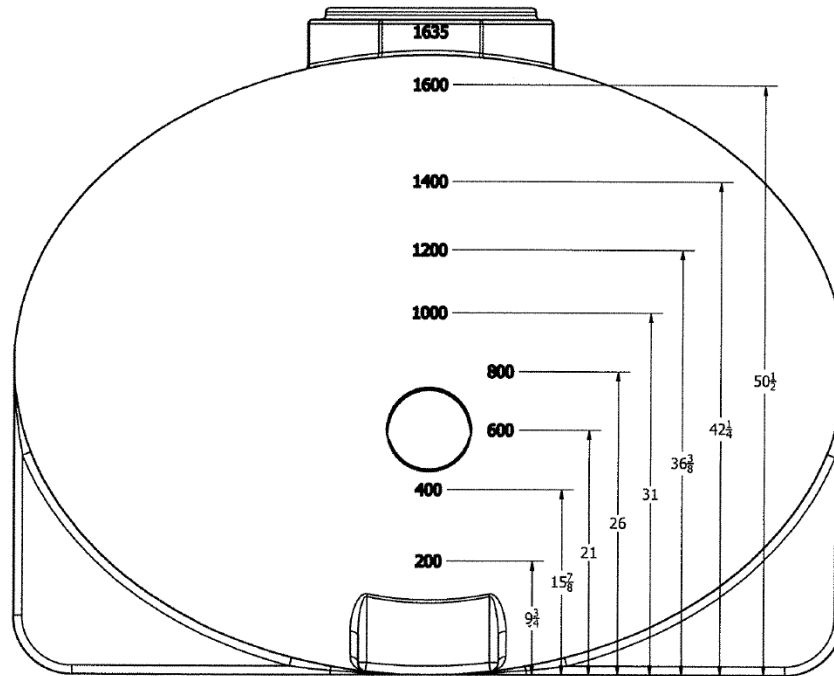


<p><b>T&amp;C</b> TOWN &amp; COUNTRY PLASTICS  <i>Customized For Precision</i>  <b>10-B TIMBER LANE</b>  <b>MARLBORO, NJ 07746</b>  <b>732-780-5300</b>  <b>WWW.TANDCPLASTICS.COM</b></p>	<p><b>Model #</b>  <b>HA-1635/HDPE</b></p>	<p><b>Horizontal</b>  <b>Storage Tank</b></p>
---	--	---



**TOWN & COUNTRY PLASTICS**

*Customized For Precision*

**10-B TIMBER LANE  
MARLBORO, NJ 07746**

**732-780-5300**

**WWW.TANDCPLASTICS.COM**

**Model #**

**HA-1635/HDPE**

**Horizontal  
Storage Tank**