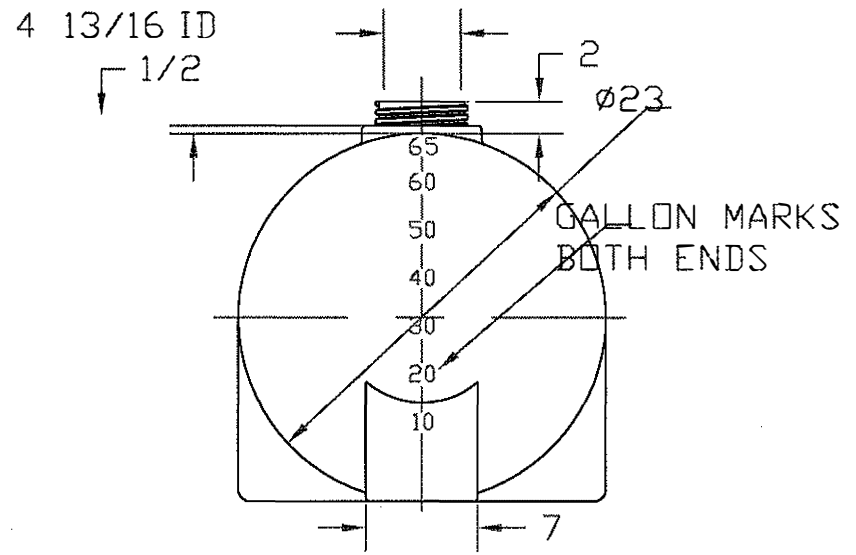
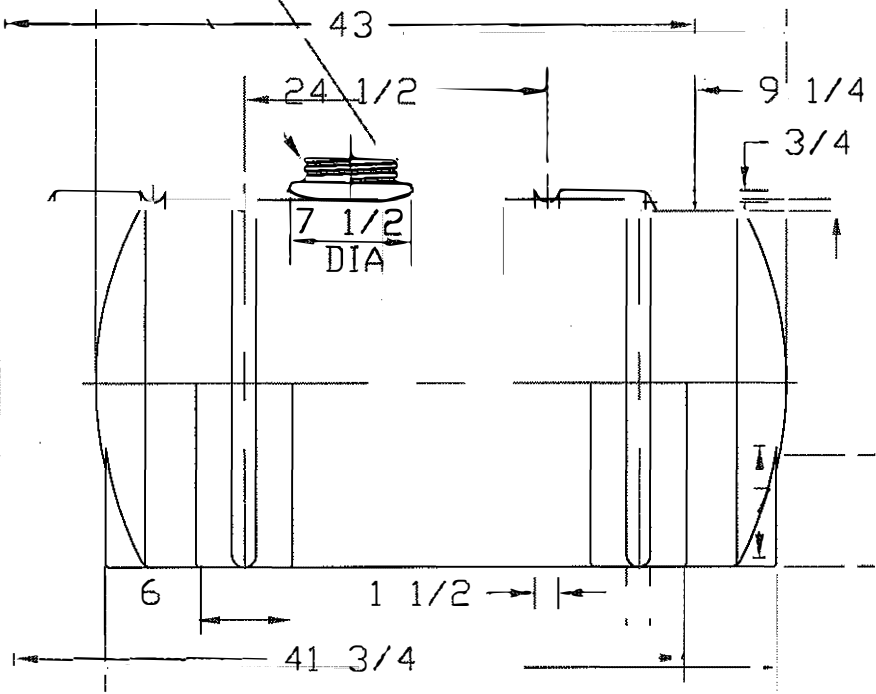


REVISIONS			
REV	DESCRIPTION	DATE	APPROVED
A	TREDRAWN	7 JAN 97	
B	FLID THREAD REVISED	09 FEB 00	

ZONE

ACME THREAD  
 5-3/4 MAJOR DIA  
 5-3/8 MINOR DIA  
 9/16 PITCH



**TOWN & COUNTRY PLASTICS**  
*Customized For Precision*

Model #HA-65/HDPE  
 65 GALLON HORIZONTAL

E	HSCM NO.	DWG NO.	REV
	TANK		B
SCALE 1/12		SHEET	