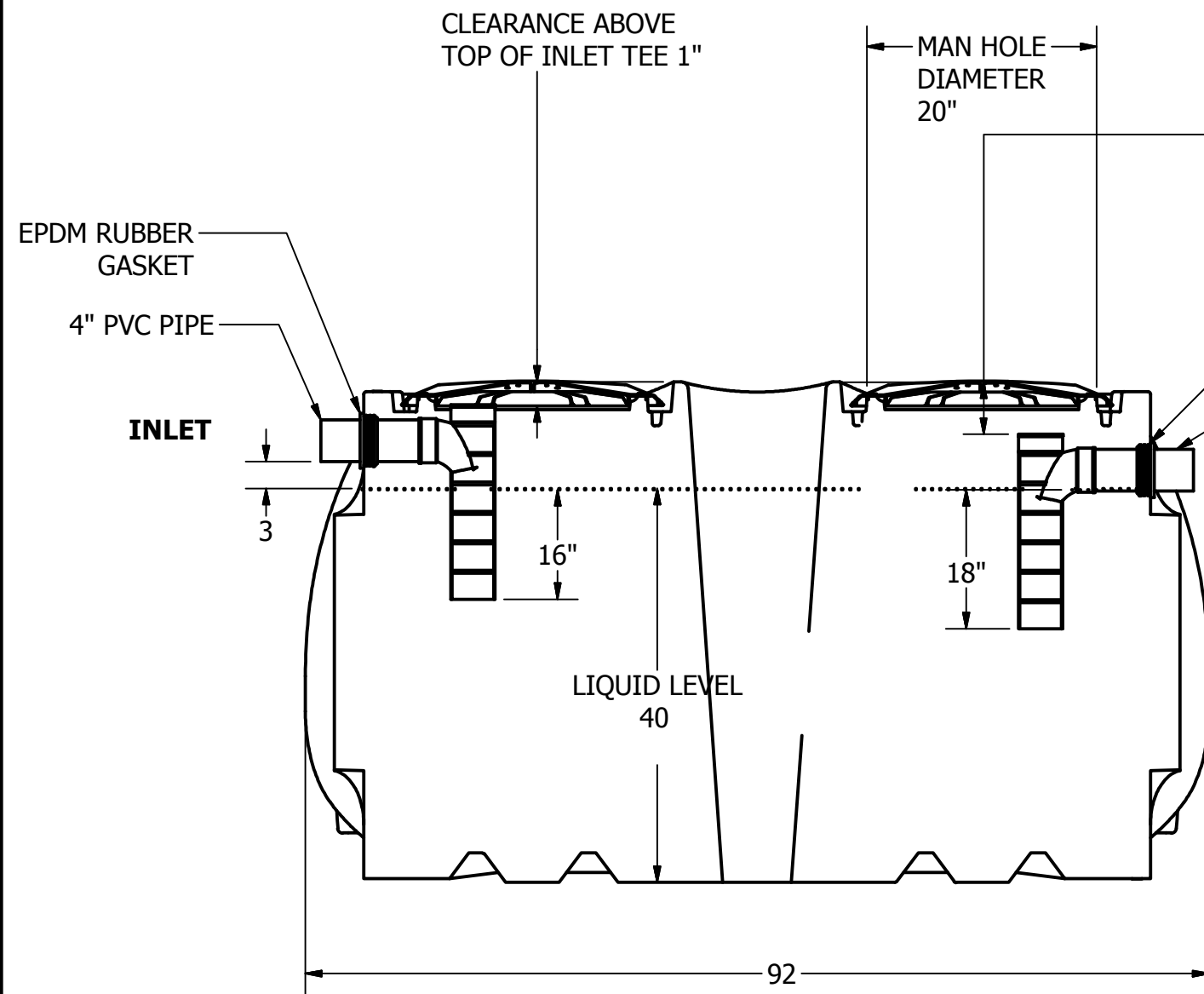


ZONE		REV	DESCRIPTION	DATE	APPROVED



CLEARANCE ABOVE  
TOP OF INLET TEE 1"

MAN HOLE  
DIAMETER  
20"

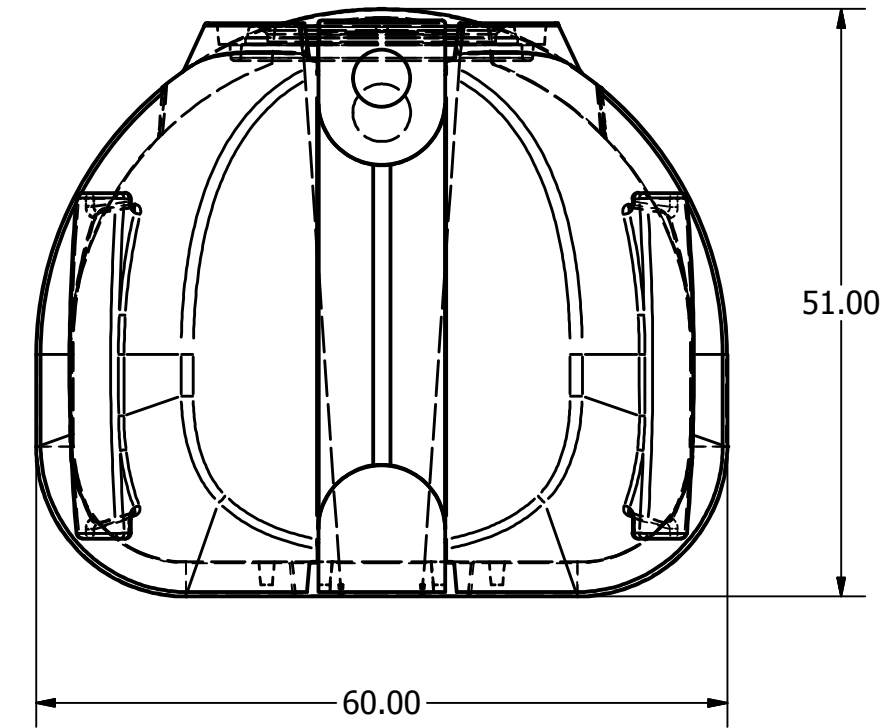
CLEARANCE ABOVE  
TOP OF OUTLET TEE 1"

EPDM RUBBER  
GASKET

4" PVC PIPE

INLET

OUTLET



CONSTRUCTION MATERIAL: **HDPE**  
 MINIMUM TANK WALL THICKNESS: **.25"**  
 LIQUID SURFACE AREA: **25.61 FT<sup>2</sup>**

DRAWN Todd Bolzer	8/2010	<b>T&amp;C</b>	<b>TOWN &amp; COUNTRY PLASTICS</b>	
CHECKED			<i>Customized For Precision</i>	
QA		TITLE		
MFG		750 Gallon Chemical Tank		
APPROVED		SIZE		REV
		<b>B</b>		
		SCALE: 1/16	SHEET 1 OF 1	