

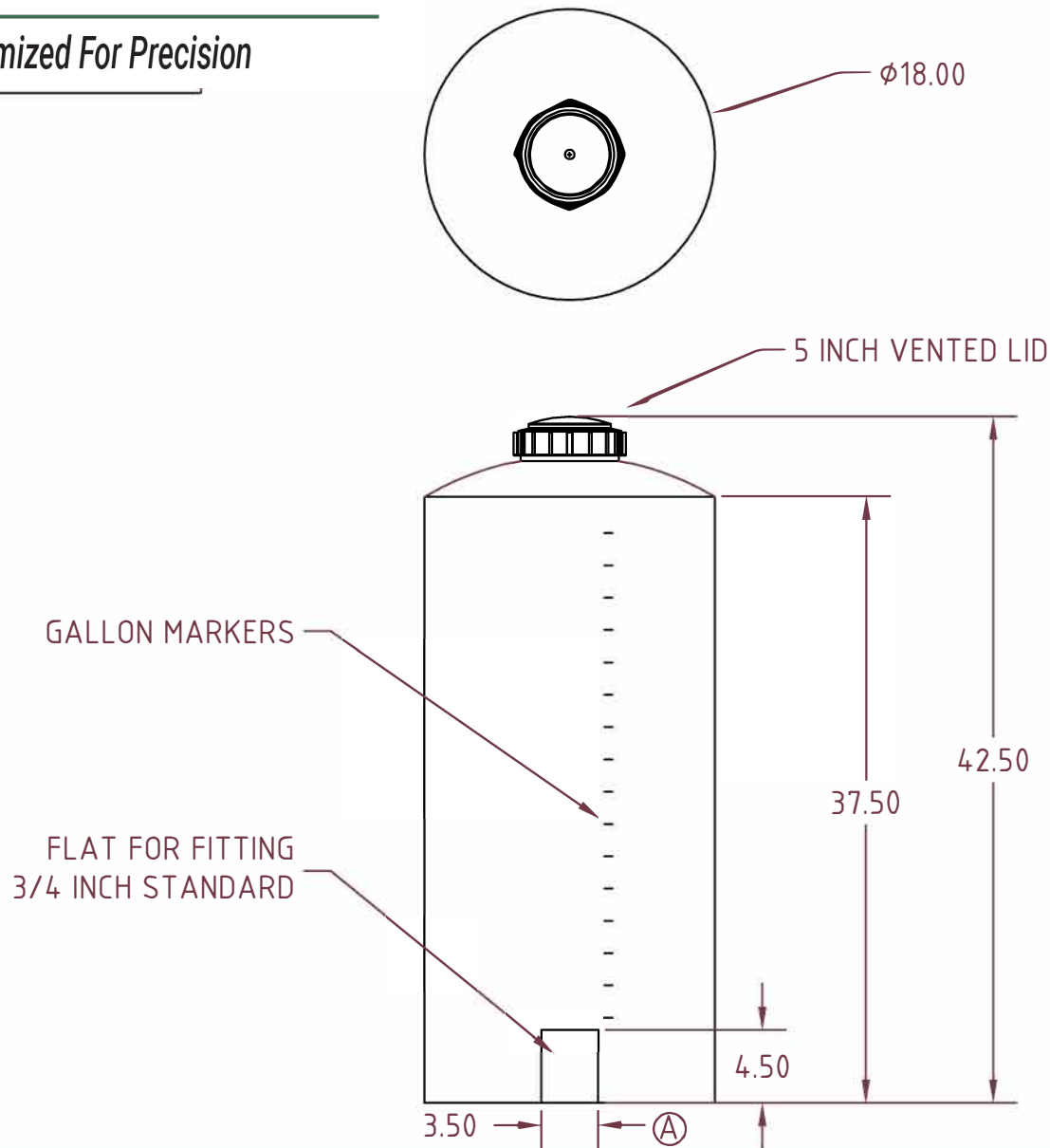


TOWN & COUNTRY PLASTICS

Customized For Precision

VT0040-18

A



				DRAWN / DATE	MATERIAL / SHOT WEIGHT	Model TCTD-40 / HDPE	
			DHJ	9/19/03	HDPE / 17 LBS.		
A	FLAT DIMENSIONS ADDED CCN 1701	ADH 7/30/08		APPRD. / DATE		CLIENT / DESCRIPTION	
REV	DESCRIPTION	DATE APPRD.	ADH	11/19/07			
ALL DIMENSIONS ARE IN DECIMAL INCHES TOLERANCES UNLESS OTHERWISE SPECIFIED ± 1% @ 68° F			THIRD ANGLE PROJECTION ANSI 14.5M		NOTES:		SCALE
					1. NOM. WALL .180 2. BLACK, GREEN, WHITE OR YELLOW COLOR		PART NO.
							NONE
							VT0040-18