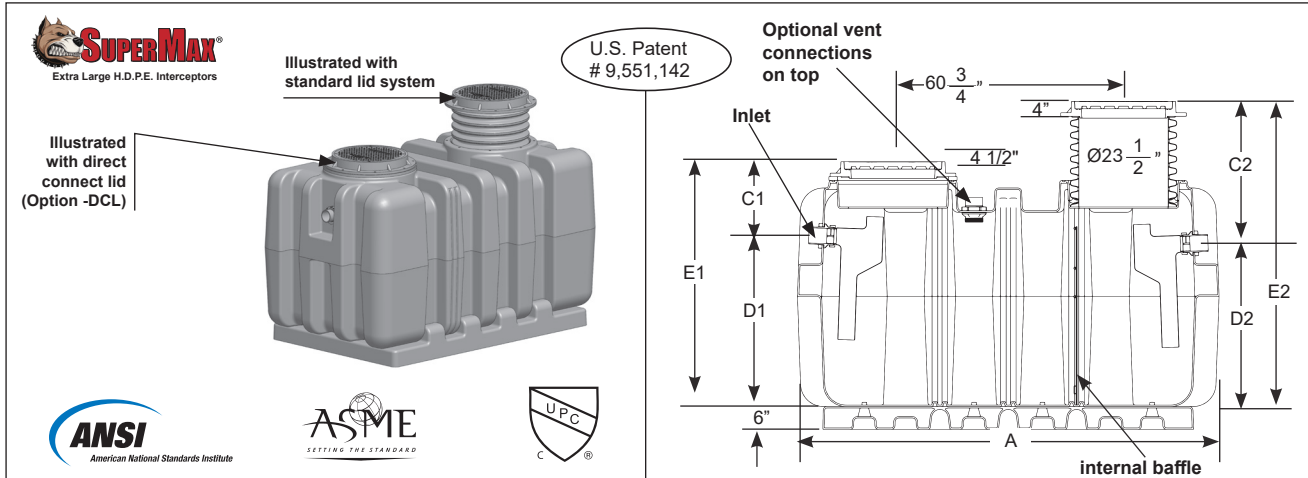


Specification: MIFAB® SM-MI-G-PL-1000 grease interceptor with 1000 U.S. gallons of liquid holding capacity has a limited lifetime warranty and is made in the U.S.A. out of seamless, rotationally molded High Density Polyethylene with 3/8" uniform wall thickness. Interceptor is designed for above or below ground installation and includes an adjustable lid system, sample port access, internal baffle, deep seal trap covered by lid, internal air relief by-pass, stainless steel calibrated orifice plate (internal flow control), base for support and floor level installation and 4" no hub inlet and outlet connections. Steel encased composite lids provide a water / gas tight seal and have a minimum of 20,000 LB. load capacity - in accordance with the loading requirements of AASHTO H20. The high density polyethylene material is PE 3135 from Dow 9.39 with a density of 0.939 g/cm³. Note that the interceptor is tested and certified to the ASME A112.14.3, CSA B481 and ANSI Z1001 Standards and listed with I.A.P.M.O.

Function: Used in in restaurants, kitchens, institutions, industrial facilities such as food processing and packaging plants and other types of food processing areas where fat, oil and grease (FOG) drains with the waste water.



Model	Liquid Holding Capacity	Flow Rate (GPM)	A	Width B	C' Dim.	C² Dim.	D' Dim.	D² Dim.	E' Dim.	E² Dim.	F Connection Size	Shipping Weight (Lbs.)	List Price
SM-MI-G-PL-1000	1000 U.S. Gallons 3,790 litres	250	111" 2820mm	64" 1630mm	18.75" 476mm	37.25" 946mm	45.25" 1149mm	43.25" 1099mm	64" 1626mm	61.50" 1562mm	4" 102mm	1,075	\$23,000.00

Suffix	Optional Variations	List Price
-AK	High water anchor kit (set of two)	\$1,208.00
-C	Lid extension (specify dimension required)	\$400.00 per 12"
-COA	Coalescer Pack	\$3,000.00
-DI	Ductile iron lid & collar	\$1,322.00
-DP	Dosing pump	\$661.00
-EP	Enzyme port	\$55.00
-FL-C	Membrane clamp kit	\$600.00
-F6	6" No Hub Inlet / Outlet connection (flow rate of 500 GPM with 6" connections)	\$78.00
-HLA	High level alarm and float switch (to be installed on site)	\$661.00
-LHSI	4" no hub inlet on left hand side	\$55.00
-LHSO	4" no hub outlet on left hand side	\$55.00
-RHSI	4" no hub inlet on right hand side	\$55.00
-RHSO	4" no hub outlet on right hand side	\$55.00
-RPO	4" Remote pump outlet connections on top of interceptor - specify location and number required	\$100.00, each
-SB	Sediment bucket	1,500.00
-SP	External Sample Port (for existing construction. Inlet and Outlet on the same level)	\$2,370.00
-SP-OF	External Sample Port (for new construction. Inlet higher than the outlet).	\$2,370.00
-SST	Fire resistant fabricated stainless steel interceptor	Contact MIFAB®
-ST	Fire resistant fabricated 10 gauge powder epoxy coated steel interceptor	Contact MIFAB®
-V	Vent connection - 4" (specify number required and location - side and / or top)	\$100.00, each vent