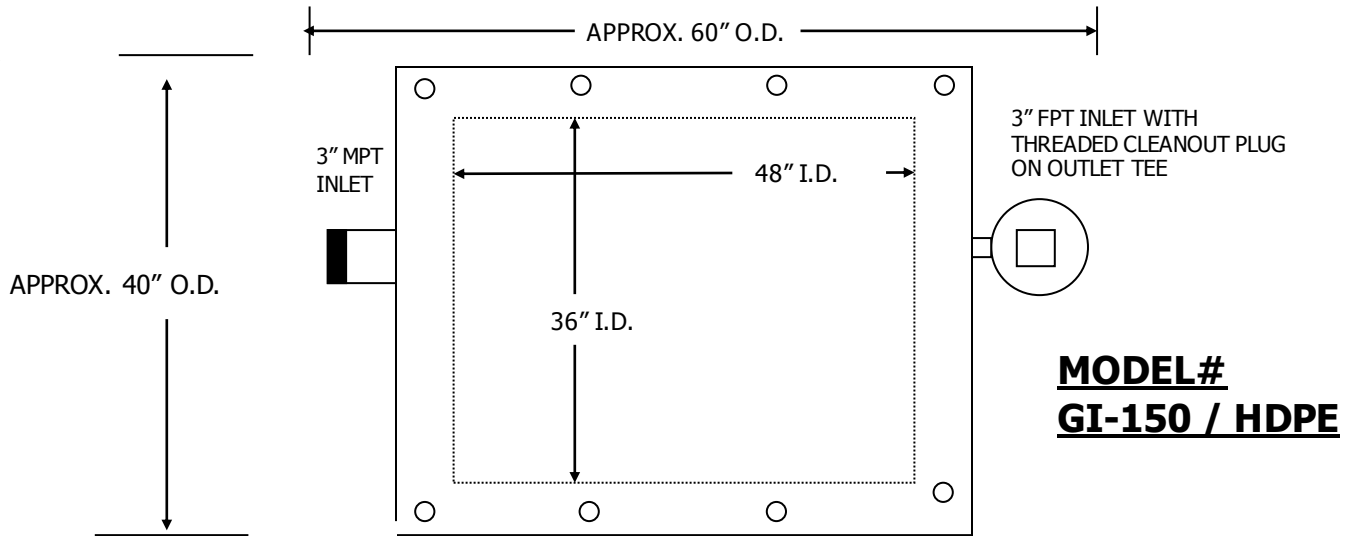




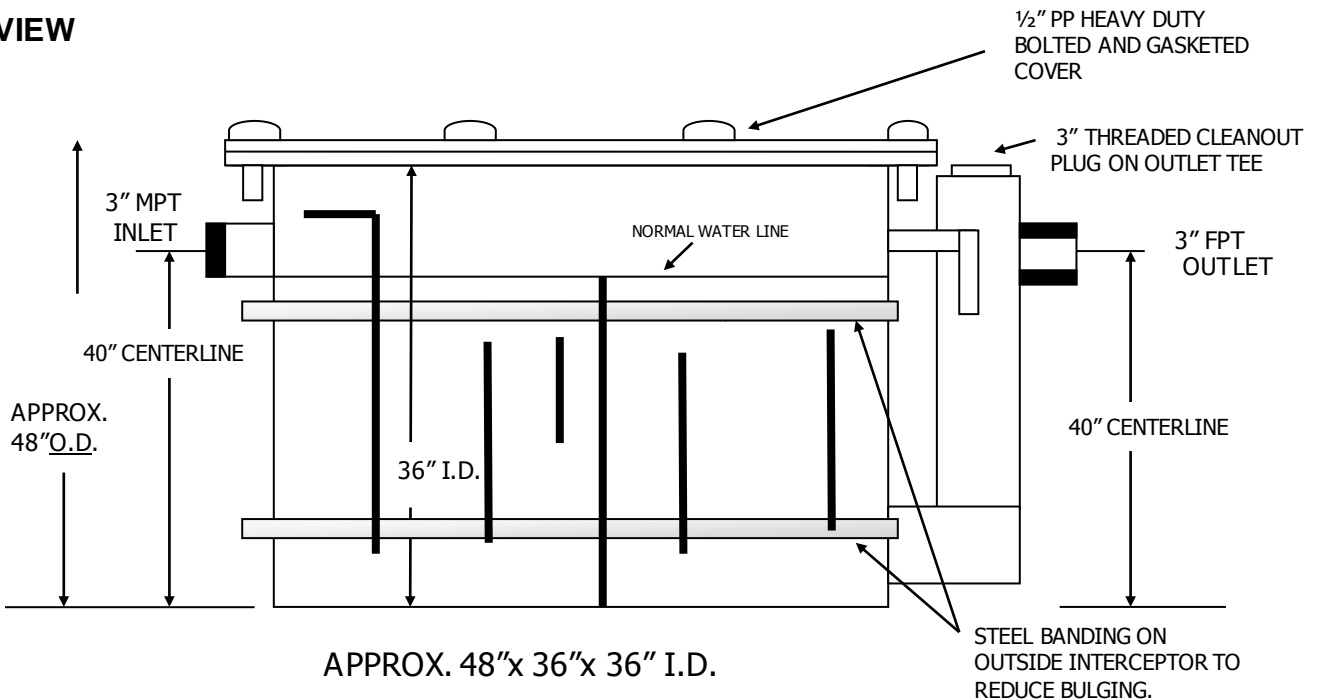
MOLDED SEAMLESS GREASE INTERCEPTOR

TOP VIEW



FLOW

SIDE VIEW



NOTE: SEPARATE 3" FLOW CONTROL TEE FURNISHED WITH RESTRICTOR PLATE
3" CONNECTIONS ARE STANDARD ON THIS UNIT.
(4" CONNECTIONS ARE AVAILABLE, ONLY IF NEEDED.)