

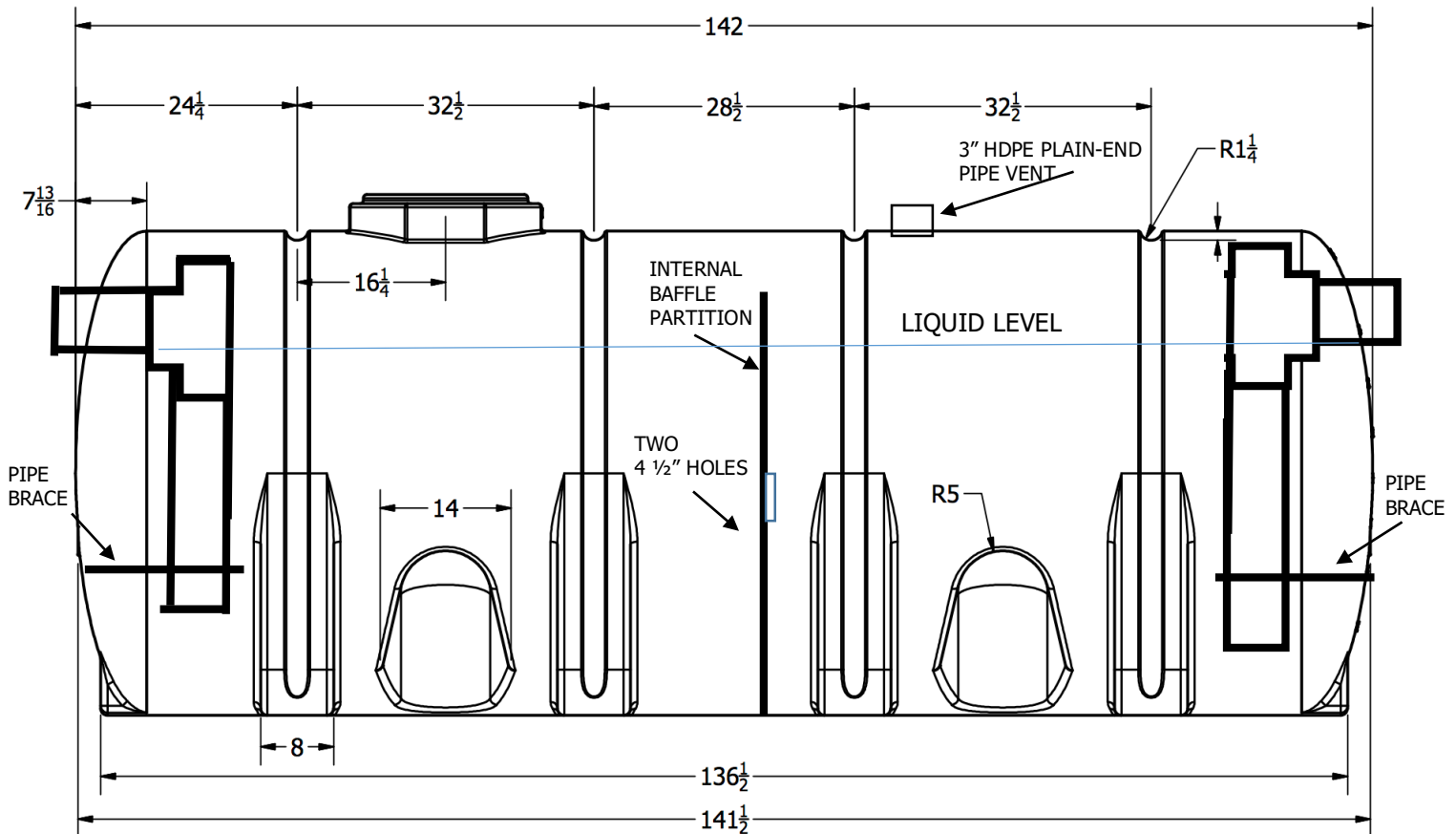


**TOWN & COUNTRY PLASTICS**

*Customized For Precision*

10B Timber Lane, Marlboro, NJ 07746 • (732) 780-5300 • FAX: (732) 294-0001 • www.tandcplastics.com

**MODEL # HA-1635M/HDPE**  
**ABOVE GROUND GREASE / OIL / SAND INTERCEPTOR**  
(4) SUPPORT BANDS REQUIRED



This tank has a 4" inlet and outlet and (2) 3" vents-  
(4) hold down straps required for installation.

- T&C HDPE molded, seamless, above ground grease interceptors are made here in the USA, in New Jersey.
- T&C HDPE interceptors are superior to FRP units that have coatings or resin rich layers.
- T&C HDPE molded tanks and interceptors have been used in in thousands of installations, over the last 45 years.