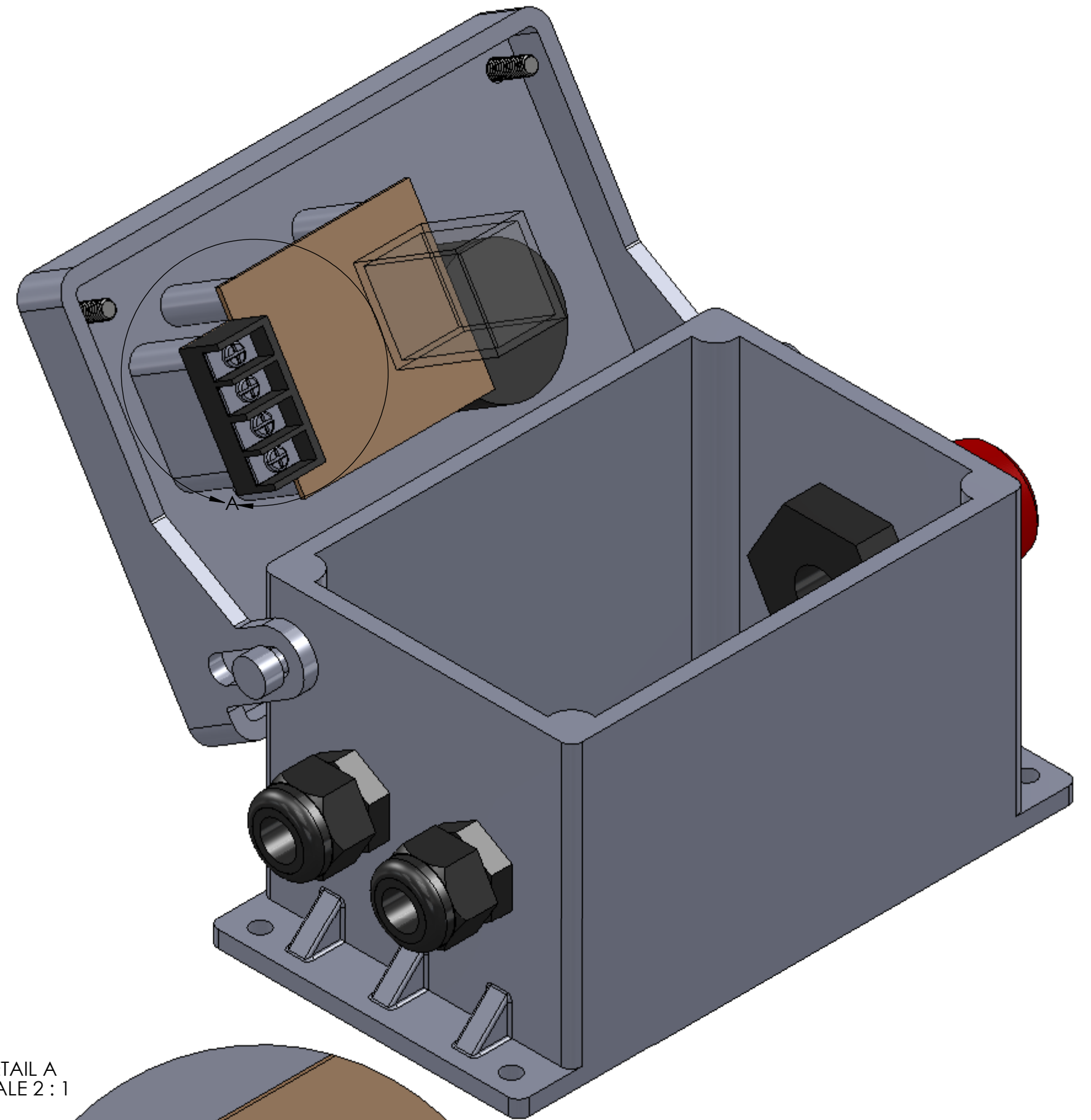
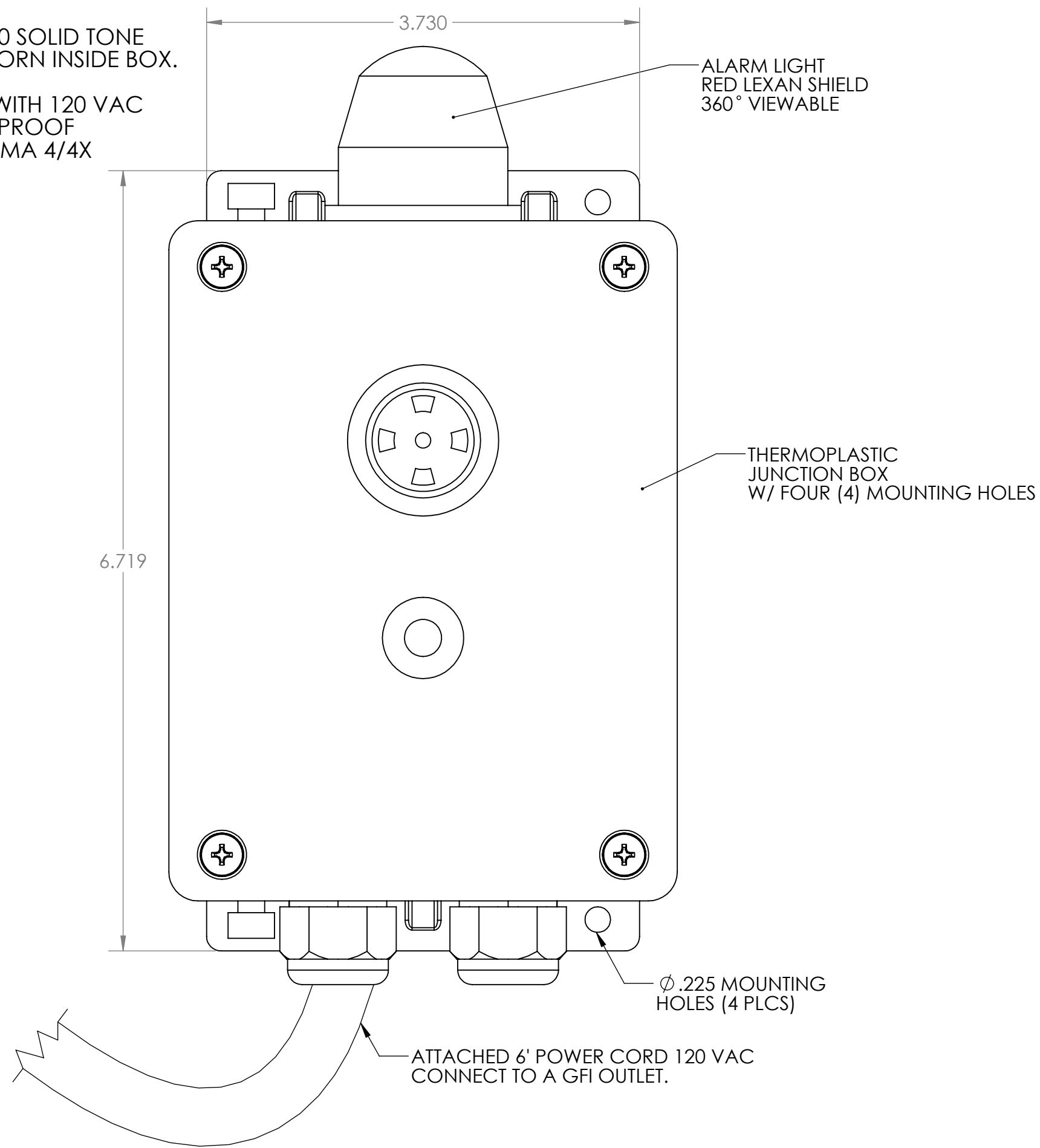
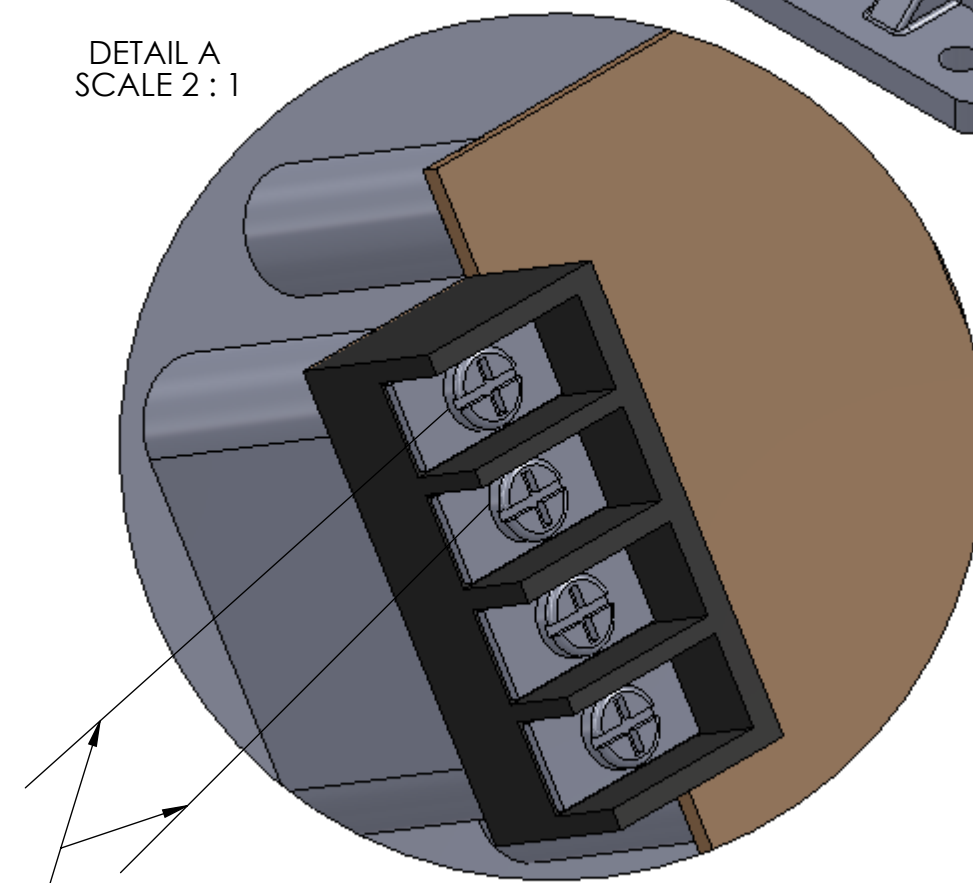


*NOTE
85 db @ 10 SOLID TONE
ALARM HORN INSIDE BOX.

FOR USE WITH 120 VAC
WEATHERPROOF
RATED NEMA 4/4X

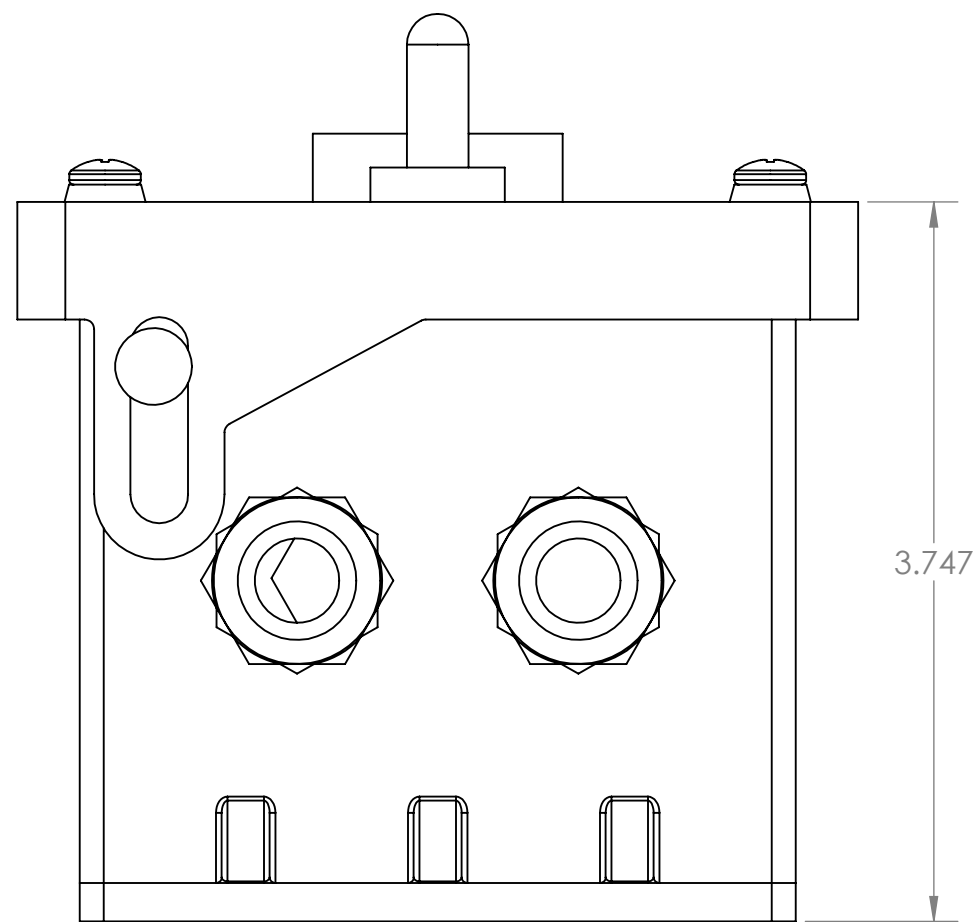


DETAIL A
SCALE 2 : 1



CONNECT HIGH
LVL. ALARM SWITCH
AT THESE TWO
TERMINALS.

*NOTE
CONTROL BOX SHALL BE
MOUNTED TO THE NEAREST WALL
OR PERMANENT STRUCTURE.



T&C **TOWN & COUNTRY PLASTICS**
Customized For Precision

PROPRIETARY AND CONFIDENTIAL
THE INFORMATION CONTAINED IN THIS
DRAWING IS THE SOLE PROPERTY OF
<INSERT COMPANY NAME HERE>. ANY
REPRODUCTION IN PART OR AS A WHOLE
WITHOUT THE WRITTEN PERMISSION OF
<INSERT COMPANY NAME HERE> IS
PROHIBITED.

COMPLETED BY:	UNLESS OTHERWISE SPECIFIED: DIMENSIONS ARE IN INCHES TOLERANCES: FRACTIONAL ±1/16 ANGULAR: MACH ±1° BEND ±1° TWO PLACE DECIMAL ±.015 THREE PLACE DECIMAL ±.010 TYPICAL DRAFT ANGLE 2°	NAME	DATE	
REVIEWED BY:	INTERPRET GEOMETRIC TOLERANCING PER: MATERIAL SEE-BOM	DRAWN	JH 05/28/13	
	FINISH XX	CHECKED		
	DO NOT SCALE DRAWING	ENG APPR.		
NEXT ASSY	USED ON	MFG APPR.	Q.A.	TITLE: HIGH LEVEL ALARM SYSTEM
APPLICATION		QUANTITY:		SIZE DWG. NO. REV
				C SCALE: 1:1 WEIGHT: SHEET 1 OF 1