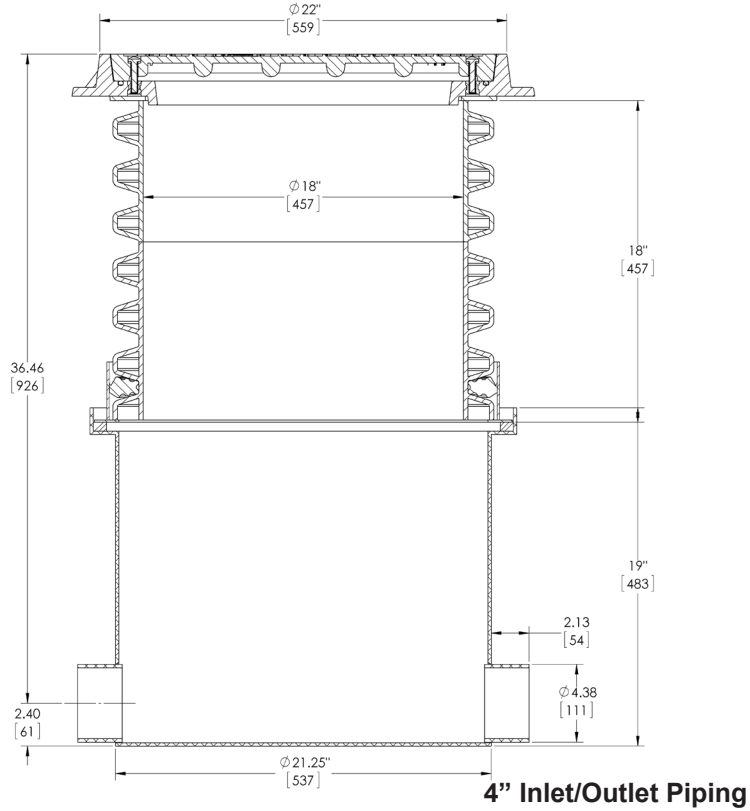


T&C **Inline Sample Port** for existing construction. The Inlet and Outlet are at the same height.



TC XL-SP Sampling Port

T&C Sampling Port is designed to deliver effluent samples direct from the interceptor without having to remove the Grease Interceptor lid.

Option -SP for existing construction. Inlet and Outlet are at the same height.



-SP Sampling Port

Schedule #:

PO#:

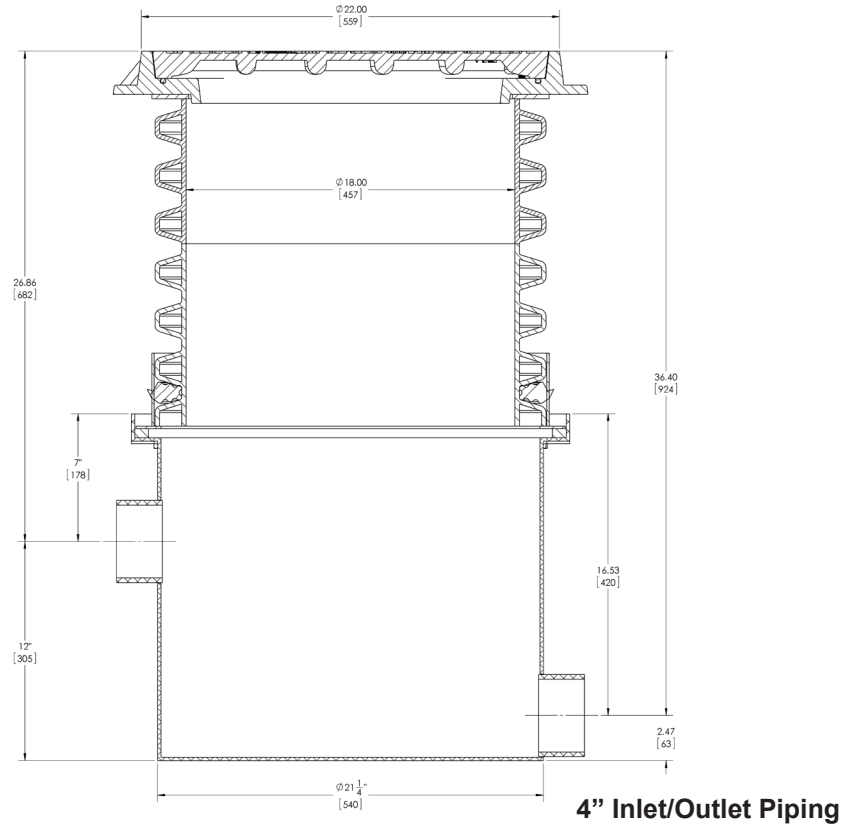
Section #:

Location:

Project Name:

Contact:

T&C **Offset Sample Port** for new construction. The Inlet is located above the Outlet.



Schedule #:

PO#:

Section #:

Location:

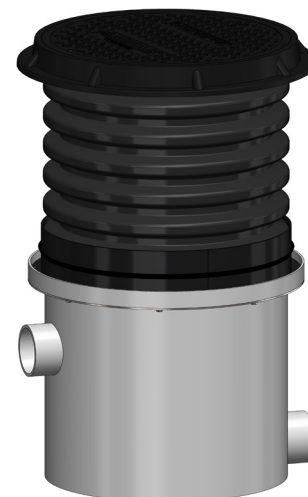
Project Name:

Contact:

XL-SP-OF Sampling Port

T&C's Sampling Port is designed to deliver effluent samples direct from the interceptor without having to remove the MIFAB Grease Interceptor lid.

Option XL-SP-OF for new construction. The Inlet is located above the Outlet.



-SP-OF Sampling Port