



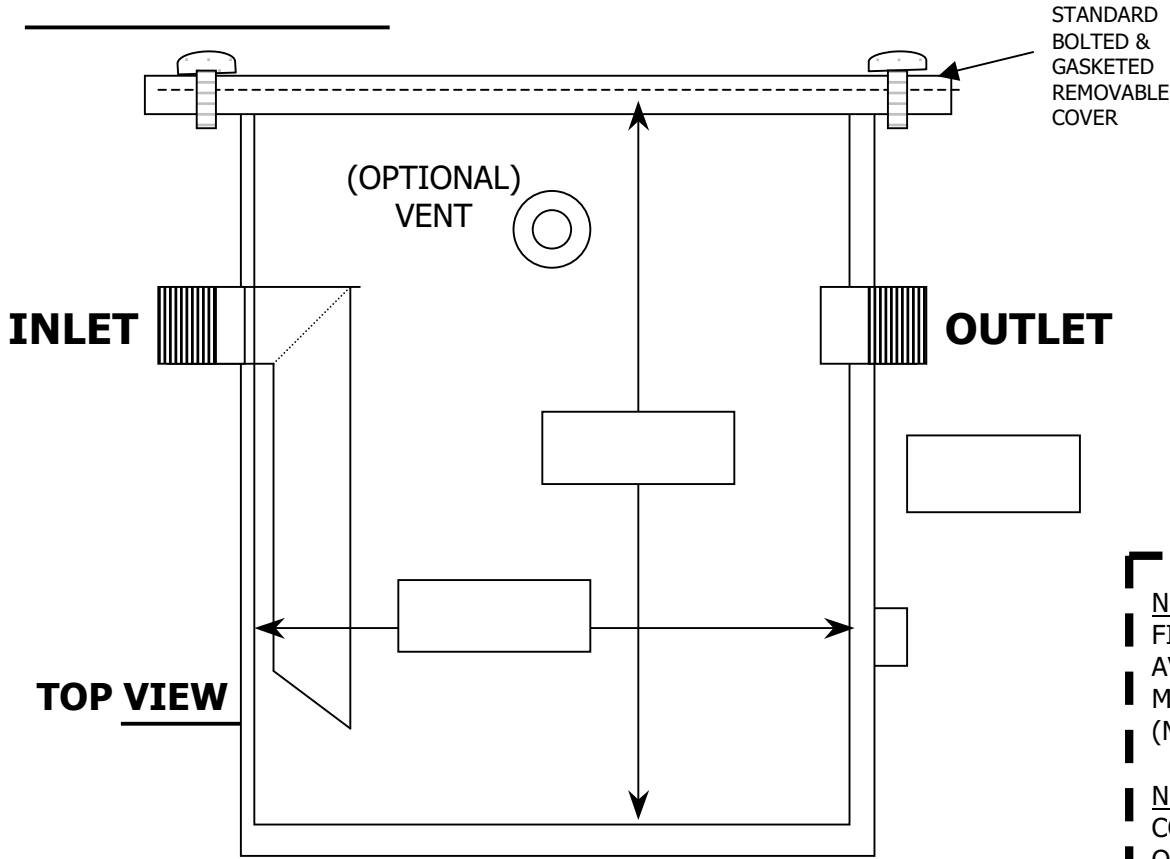
TOWN & COUNTRY PLASTICS

Customized For Precision

10B Timber Lane, Marlboro, NJ 07746 • (732) 780-5300 • FAX: (732) 294-0001 • www.tandcplastics.com

NEUTRALIZATION / DILUTION TANK SUBMITTAL SHEET

MODEL NUMBER _____

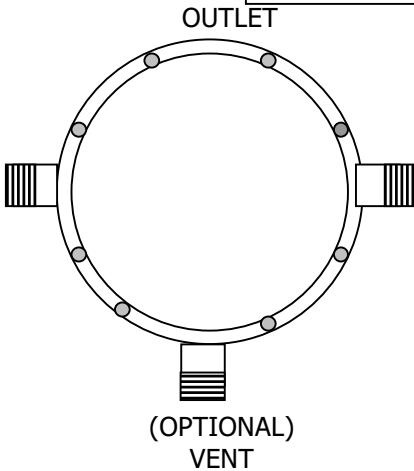


NOTE: PLAIN END PIPE FITTING CONNECTIONS AVAILABLE ONLY FOR MECHANICAL JOINT (M/J) FITTINGS!

NOTE: THE VENT CONNECTION IS OPTIONAL. PLEASE ADVISE IF YOU NEED IT FOR THIS JOB?

TANK HEIGHT _____

TANK DIAMETER _____



FITTING POSITIONS, HEIGHTS (CENTERLINES) AND SIZES CAN BE CHANGED PRIOR TO MANUFACTURING (PER ENGINEERS NEEDS OR FIELD CONDITIONS). IF CHANGE DESIRED, MARK UP THIS DRAWING ACCORDINGLY.

FITTING SIZE	FITTING TYPE	STANDARD FITTING CENTERLINE LOCATIONS	FITTING CENTERLINES
INLET _____	MALE THREADS, FEMALE THREADS OR PLAIN END PIPE	9:00	<p>INLET (OPTIONAL) VENT OUTLET</p>
OUTLET _____		3:00	
(OPTIONAL) VENT _____		6:00	