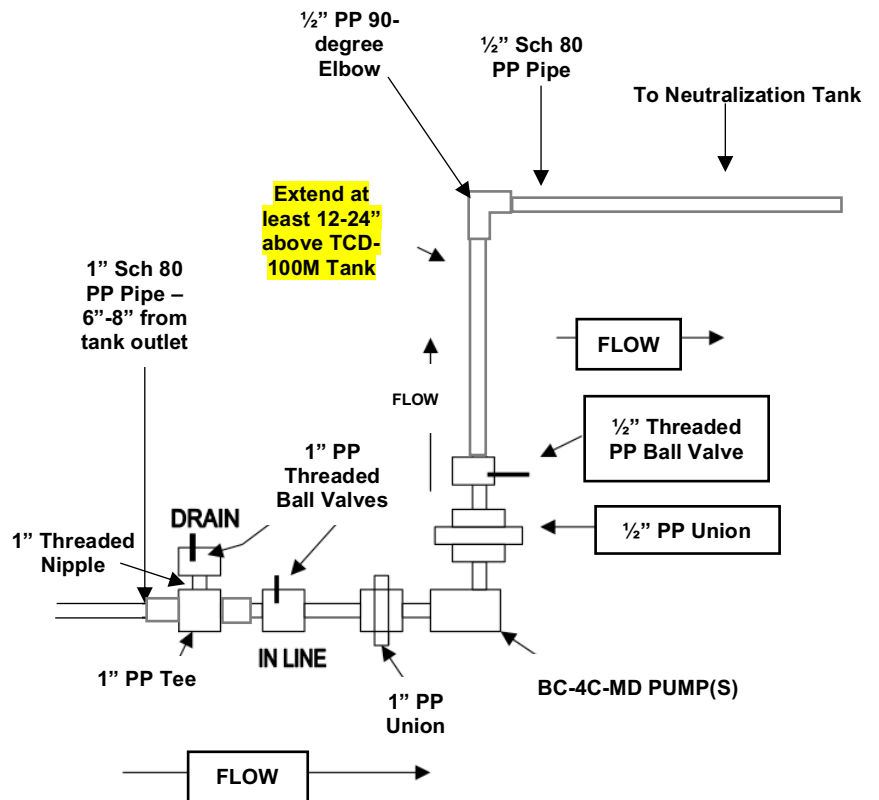
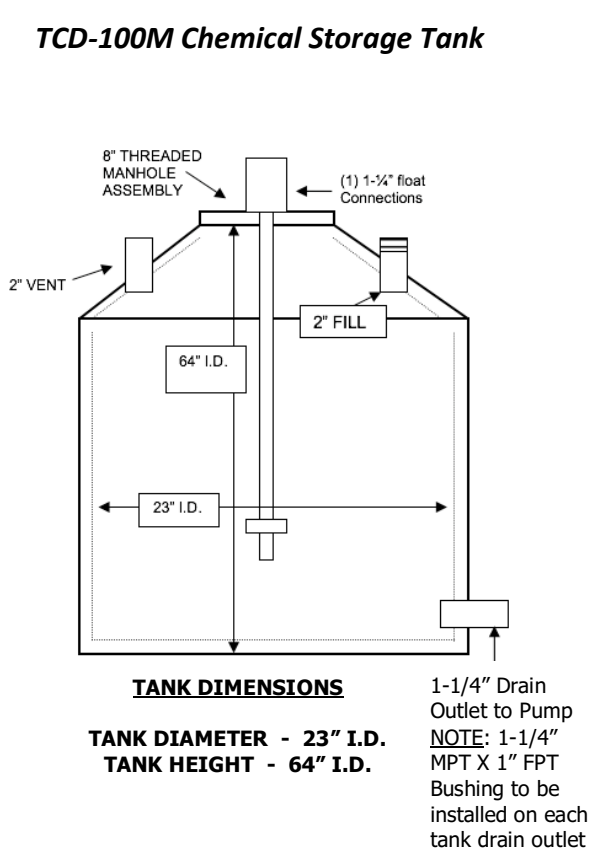




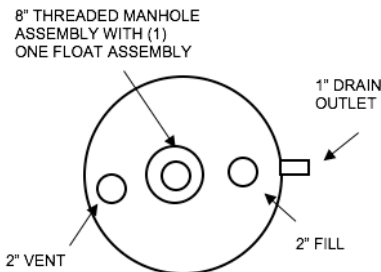
Chemical Feed Tank Piping for 100 Gallon Chemical Holding Tanks with Above Ground Neutralization Tank

- Typical for (2) TCD-100M Chemical Holding Tanks
- Tanks and Pumps are to be mounted on Floor or Spill Containment Pallet(s) and Furnished with Model pp-44t Leak Detection floats and alarm panels.
- Chemical Feed Piping to Extend **At Least** 12"-24" above Chemical Feed Tanks

TCD-100M Chemical Storage Tank



TOP VIEW



ALL TANK FITTING TYPES AND LOCATIONS CAN BE CHANGED TO MEET JOBSITE CONDITIONS.

Quantities Needed **Per Tank** (all polypropylene) Please contact T&C for quote:

- 1" Sch 80 Pipe _____ (length in feet)
- 1" Threading Nipple = 1
- 1" Tee = 1
- 1" Threading Ball Valve = 2
- BC-4C-MD Pump = 1
- 1" Union = 1
- 1/2" Union = 1
- 1/2" 90-degree Elbow = 1
- 1/2" Sch 80 Pipe _____ (length in feet)
- 1/2" 45-degree Elbow ____ (advise if needed)

Note – additional 90-degree and or 45-degree elbows can be ordered to meet job site conditions.