



**TOWN & COUNTRY PLASTICS**

*Customized For Precision*

10B Timber Lane, Marlboro, NJ 07746 • (732) 780-5300 • FAX: (732) 294-0001 • [www.tandcplastics.com](http://www.tandcplastics.com)

## **Wiring of K-100AM2 Panel & pp-44t Floats & Panel**

*You will need TWO separate 20 amp power circuits for this entire system, 115 volts, single phase, 60 cycles (Hertz)...*

*On the wiring diagram, we give you the Grainger and manufacturer (Omron) number of THREE power relay switches you need to wire to the THREE outlets for the 2 pumps located on the bottom side of the two white chemical tanks and the mixer that is mounted on top of large tank #2. These are to be mounted in a NEMA box the you will supply (we gave you a Grainger box number, you may wish to use). You supply the box & relays.*

*You will bring in ONE of the 20 amp power circuit wiring / conduit to the three power relays in the NEMA box. This is power circuit #2. The separate relay drawing will show you where to hook up to and interconnect on the relays themselves, when you compare it to our master system wiring drawing.*

*You will then run wiring / conduits from your NEMA box to three outlet boxes you supply, for the two pumps & mixer to plug into.*

*The last thing you do for this, is to run wiring and conduits from our Model # K-100AM2 master panel to the three power relays in your NEMA box (our panel will control when the power is to go on and off, thru these power relays you supply & install).*

*You will also mount a small loose horn we gave you on the side of the NEMA panel and wire it per our horn wiring diagram.*

*(Any connector or conduit to be connected to our #K-100AM2 master panel must come thru the one knock out (remove plug).*

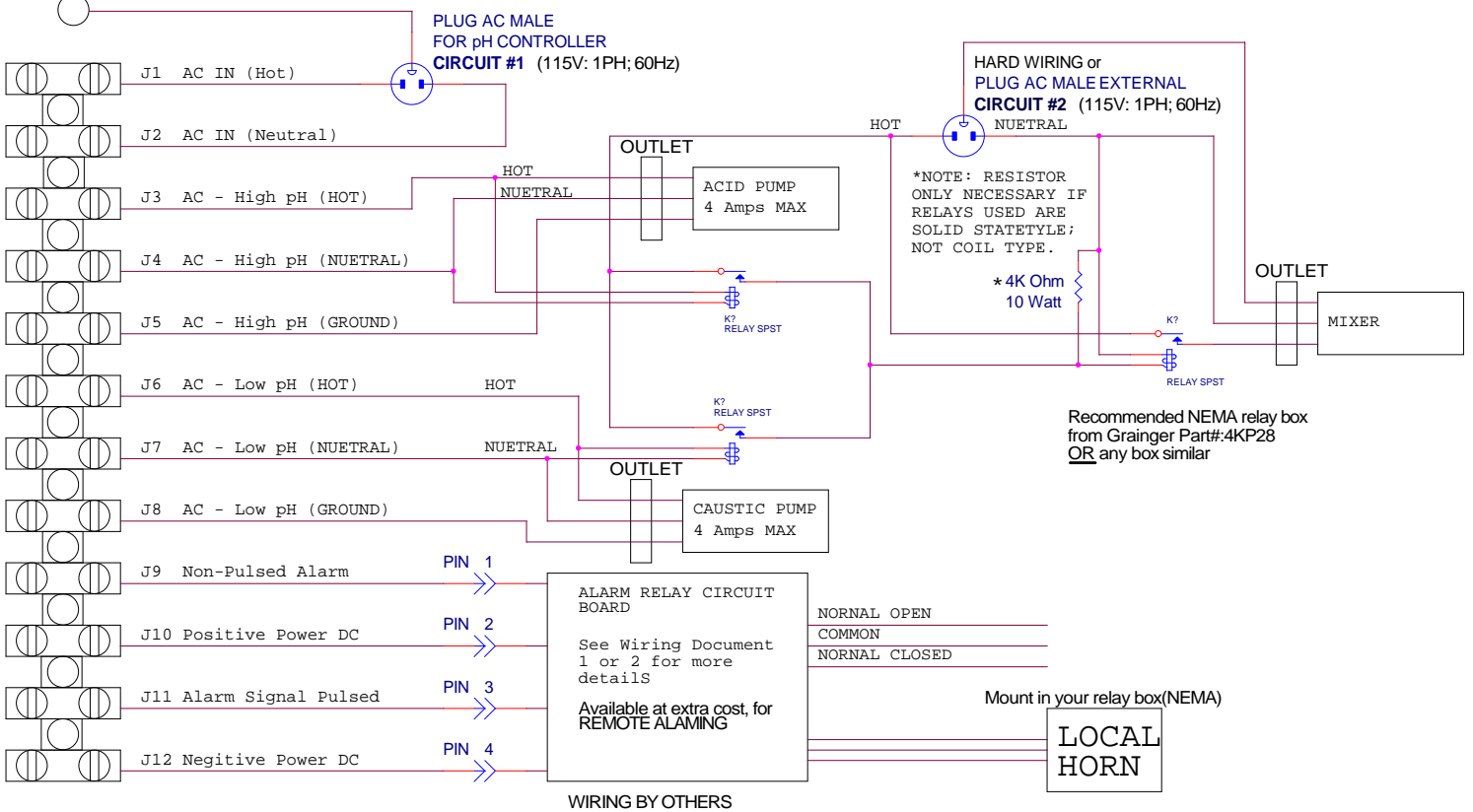
*Do not drill our panel, as you could cause problems & the warranty will be lost.*

*Note – anytime a pump turns on – the mixer should turn on – only 1 pump will operate at any time.*

*You hard wire 115 V to the 2 or 3 float alarm panels (#PP-44T) on the wall near the white tanks, hook up the floats to them separately and bring separate power to each. This is 20 amp power circuit #1. You will provide a separate 115 V outlet for our master panel and two separate 115 V outlets for the two additional wall mounted portable drum pumps we provided (yellow in color), near the white tanks.*

TERMINAL BLOCK LOCATED ON LEFT SIDE OF PH CONTROLLER

Grounding Post



**PLUG AC MALE FOR pH CONTROLLER**  
**CIRCUIT #1 (115V: 1PH; 60Hz)**

**HARD WIRING or PLUG AC MALE EXTERNAL**  
**CIRCUIT #2 (115V: 1PH; 60Hz)**

\*NOTE: RESISTOR ONLY NECESSARY IF RELAYS USED ARE SOLID STATE TYPE; NOT COIL TYPE.

\* 4K Ohm  
 10 Watt

Recommended NEMA relay box from Grainger Part#: 4KP28 OR any box similar

ALARM RELAY CIRCUIT BOARD

See Wiring Document 1 or 2 for more details

Available at extra cost, for REMOTE ALARMING

WIRING BY OTHERS

Mount in your relay box(NEMA)

**LOCAL HORN**

ELECTRICAL CONTRACTOR TO SUPPLY THREE (3) POWER RELAY.  
 SUGGESTED PARTS:  
 (Distributor)GRAINGER PART#: 4A711  
 (Manufacturer)OMRON PART#: G7L-1A-TUBJ-CB-AC100/120

**WARNING!: Do NOT Drill Holes in pH Controller!**

Title		
WIRING DIAGRAM FOR MIXER		
Size	Document Number	Rev
B	Wire 3	01
Date:	Monday, August 13, 2018	Sheet 1 of 1



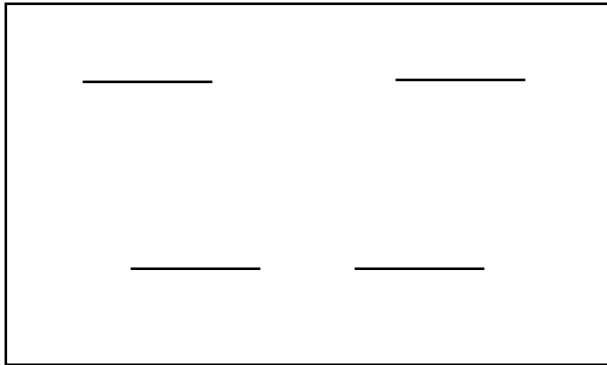
**TOWN & COUNTRY PLASTICS**  
*Customized For Precision*

10-B Timber Lane, Marlboro, NJ 07746 • (732) 780-5300 • FAX: (732) 294-0001 • www.tandoplastics.com

**ACID PUMP RELAY**

BRASS CONNECTORS

FROM #3  
IN PANEL



FROM #4  
IN PANEL

TO MIXER  
RELAY TOP  
RIGHT BRASS  
CONN.

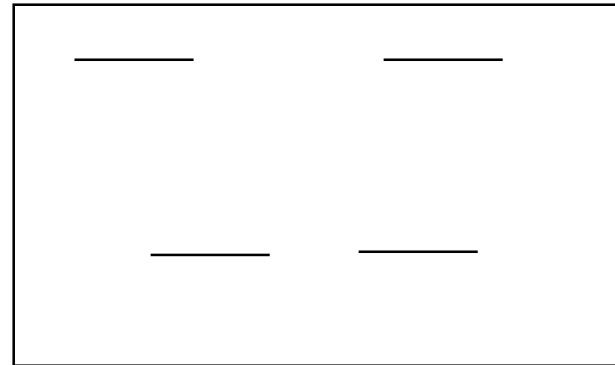
2<sup>ND</sup>  
CIRCUIT  
POWER  
LINE

COPPER CONNECTORS

**WIRING TO THE THREE (3) GRAINGER #4A711 POWER RELAYS**

BRASS CONNECTORS

FROM  
NEUTRAL  
2<sup>ND</sup>  
CIRCUIT



FROM BOTH  
PUMP RELAYS  
LOWER  
RIGHT  
COPPER  
CONNECTORS

TO KNOCK  
OUT POWER  
BOX FOR  
MIXER PLUG

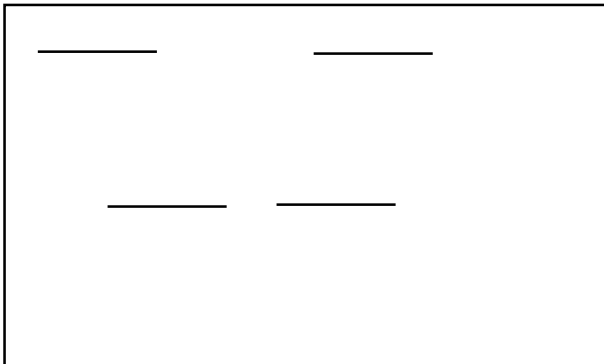
2<sup>ND</sup>  
CIRCUIT  
POWER  
LINE

COPPER CONNECTORS

**MIXER MOTOR RELAY**

BRASS CONNECTORS

FROM #6  
IN PANEL



FROM #7  
IN PANEL

TO MIXER  
RELAY TOP  
RIGHT BRASS  
CONN.

2<sup>ND</sup>  
CIRCUIT  
POWER  
LINE

COPPER CONNECTORS

**CAUSTIC PUMP RELAY**