

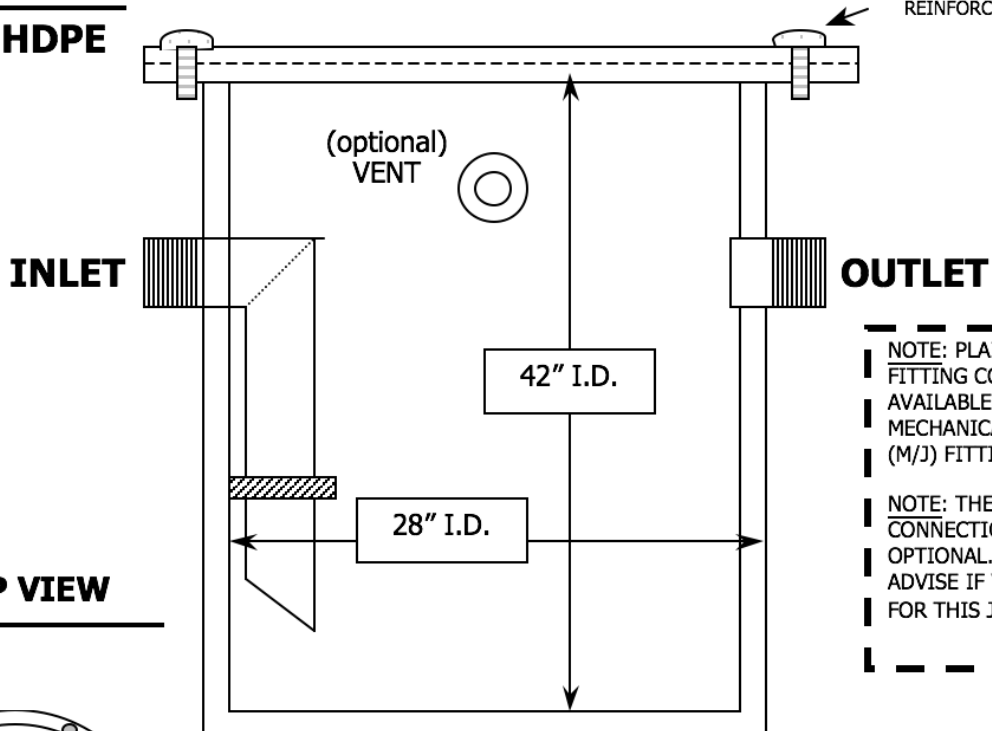


**NEUTRALIZATION / DILUTION TANK SUBMITTAL SHEET**

**MODEL NUMBER**

**NT-100 / HDPE**

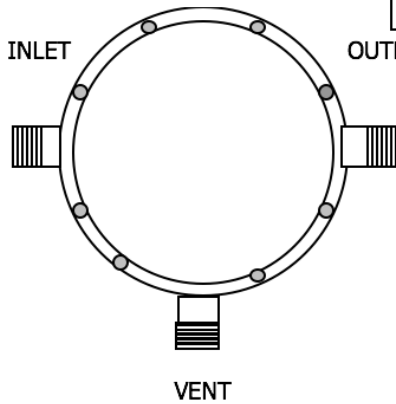
STANDARD MOLDED  
BOLTED & GASKETED  
REINFORCED COVER



NOTE: PLAIN END PIPE FITTING CONNECTIONS AVAILABLE ONLY FOR MECHANICAL JOINT (M/J) FITTINGS!

NOTE: THE VENT CONNECTION IS OPTIONAL. PLEASE ADVISE IF YOU NEED IT FOR THIS JOB?

**TOP VIEW**



**TANK HEIGHT** 42" I.D.

**TANK DIAMETER** 28" I.D.

FITTING POSITIONS, HEIGHTS (CENTERLINES) AND SIZES CAN BE CHANGED PRIOR TO MANUFACTURING (PER ENGINEERS NEEDS OR FIELD CONDITIONS). IF CHANGE DESIRED, MARK UP THIS DRAWING ACCORDINGLY.

	<b>FITTING SIZE</b>	<b>FITTING TYPE</b>	<b>FITTING CENTERLINE LOCATION</b>	<b>FITTING CENTERLINES</b>
INLET	4"	MALE THREADS, OR PLAIN END PIPE	35"	
OUTLET	4"		31"	
VENT	?		37"	

FLANGED CONNECTIONS AVAILABLE AT ADDITIONAL COST

INLET VENT OUTLET