

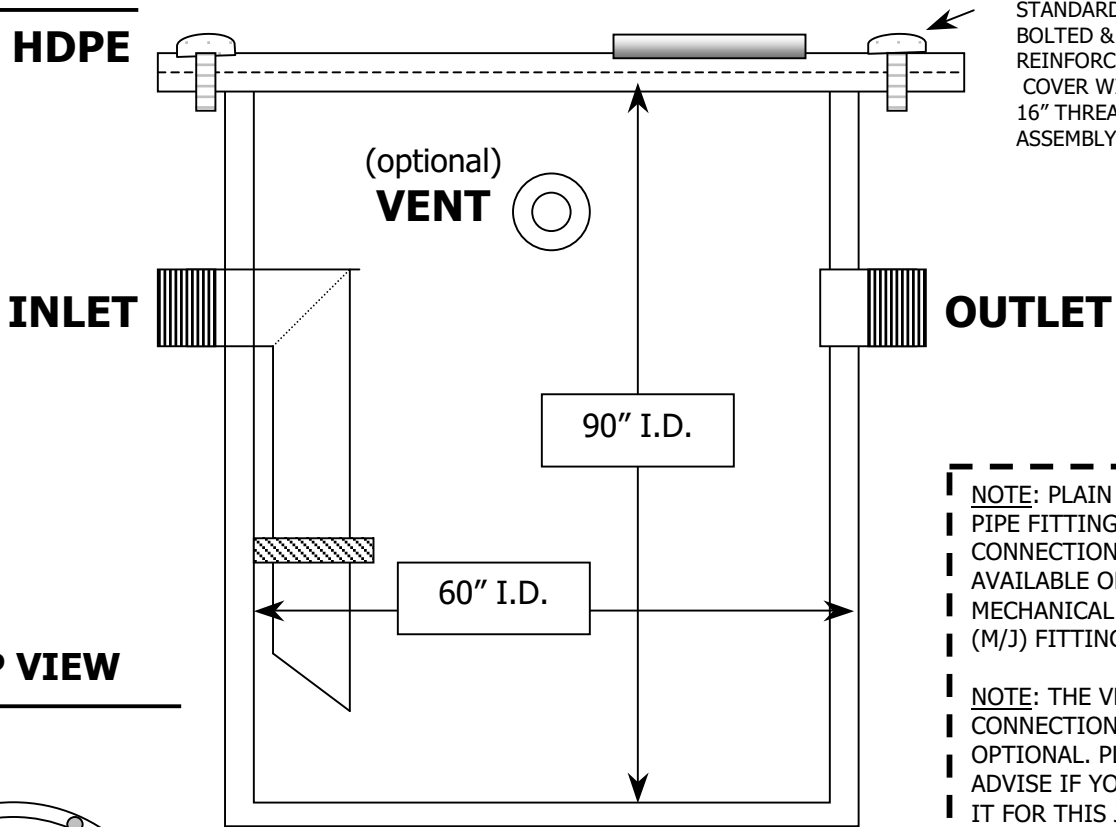


TOWN & COUNTRY PLASTICS, INC.

NEUTRALIZATION / DILUTION TANK SUBMITTAL SHEET

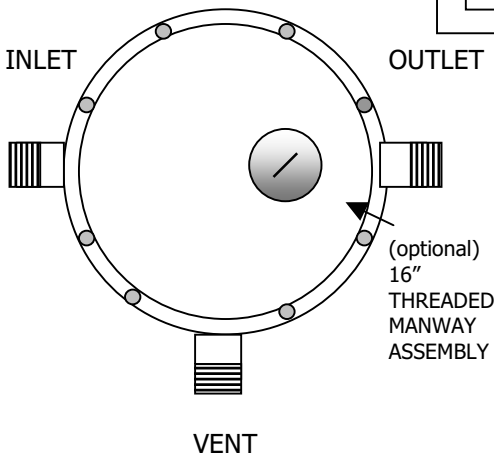
MODEL NUMBER

NT-1100 / HDPE



STANDARD MOLDED BOLTED & GASKETED REINFORCED COVER WITH (optional) 16" THREADED MANWAY ASSEMBLY

TOP VIEW



TANK HEIGHT 90" I.D.

TANK DIAMETER 60" I.D.

NOTE: PLAIN END PIPE FITTING CONNECTIONS AVAILABLE ONLY FOR MECHANICAL JOINT (M/J) FITTINGS!

NOTE: THE VENT CONNECTION IS OPTIONAL. PLEASE ADVISE IF YOU NEED IT FOR THIS JOB?

FITTING POSITIONS, HEIGHTS (CENTERLINES) AND SIZES CAN BE CHANGED PRIOR TO MANUFACTURING (PER ENGINEERS NEEDS OR FIELD CONDITIONS). IF CHANGE DESIRED, MARK UP THIS DRAWING ACCORDINGLY.

	FITTING SIZE	FITTING TYPE	FITTING CENTERLINE LOCATION	FITTING CENTERLINES
INLET	4"	MALE THREADS, OR PLAIN END PIPE	80"	
OUTLET	4"		76"	
VENT	?		84"	

6" PLAIN END PIPE CONNECTIONS ALSO AVAILABLE, (M/J) COUPLINGS OR FLANGED CONNECTIONS AVAILABLE, AT ADDITIONAL COST.