



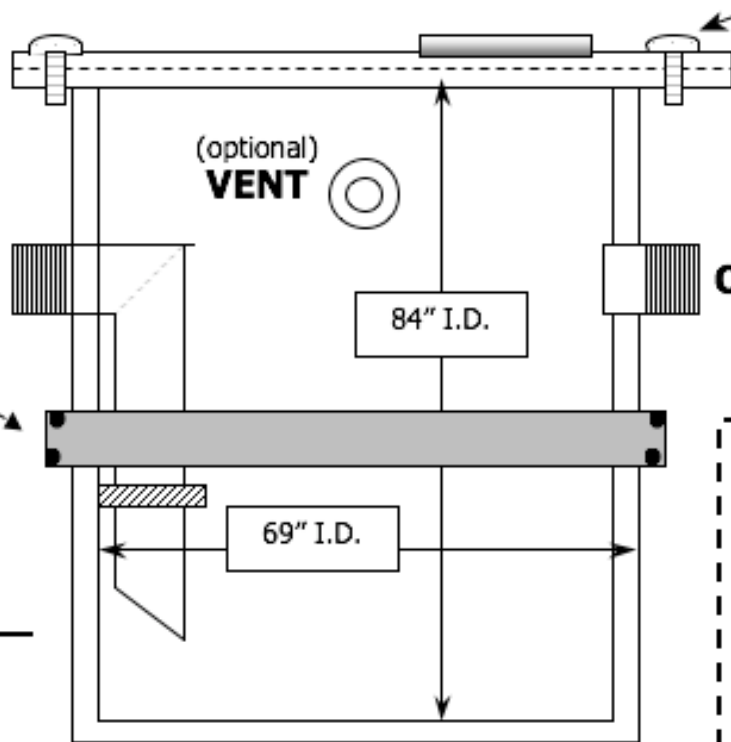
TOWN & COUNTRY PLASTICS

Customized For Precision

10B Timber Lane, Marlboro, NJ 07746 • (732) 780-5300 • FAX: (732) 294-0001 • www.tandcplastics.com

NEUTRALIZATION / DILUTION TANK SUBMITTAL SHEET

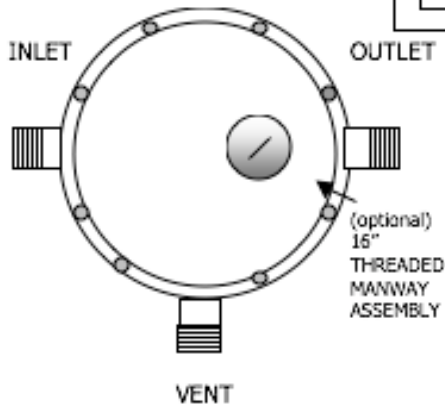
MODEL NUMBER
NT-1200 / HDPE



STANDARD MOLDED BOLTED & GASKETED REINFORCED COVER WITH (optional) 15" THREADED MANWAY ASSEMBLY

If tank is to be filled with limestone chips, then we will furnish steel banding for extra support

TOP VIEW



TANK HEIGHT 84" I.D.

TANK DIAMETER 69" I.D.

NOTE: PLAIN END PIPE FITTING CONNECTIONS AVAILABLE ONLY FOR MECHANICAL JOINT (M/J) FITTINGS!

NOTE: THE VENT CONNECTION IS OPTIONAL. PLEASE ADVISE IF YOU NEED IT FOR THIS JOB?

FITTING POSITIONS, HEIGHTS (CENTERLINES) AND SIZES CAN BE CHANGED PRIOR TO MANUFACTURING (PER ENGINEERS NEEDS OR FIELD CONDITIONS). IF CHANGE DESIRED, MARK UP THIS DRAWING ACCORDINGLY.

	FITTING SIZE	FITTING TYPE	FITTING CENTERLINE LOCATION	FITTING CENTERLINES
INLET	4"	MALE THREADS, OR PLAIN END PIPE	74"	
OUTLET	4"		68"	
VENT	?		78"	

6" PLAIN END PIPE CONNECTIONS ALSO AVAILABLE. (M/J) COUPLINGS OR FLANGED CONNECTIONS AVAILABLE, AT ADDITIONAL COST.