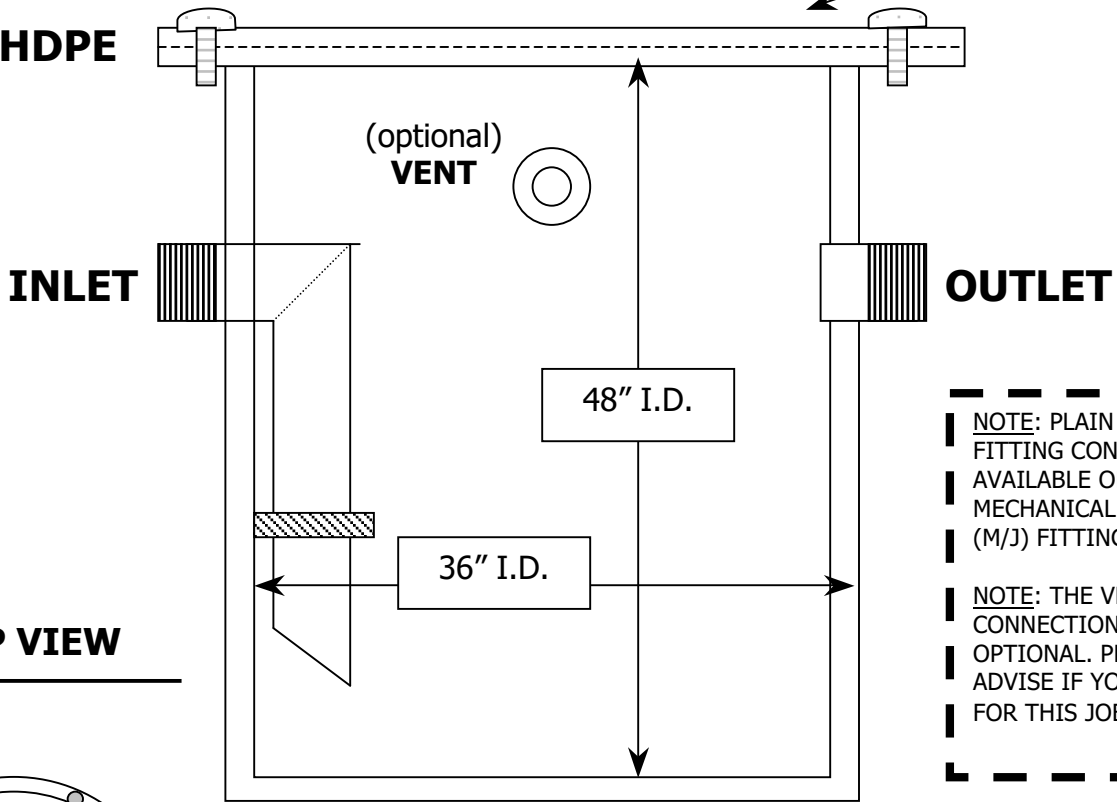


NEUTRALIZATION / DILUTION TANK SUBMITTAL SHEET

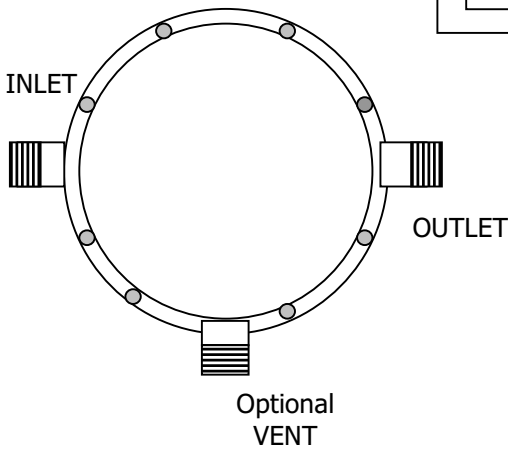
MODEL NUMBER

NT-200 / HDPE

STANDARD BOLTED AND GASKETED REINFORCED COVER



TOP VIEW



TANK HEIGHT 48" I.D.

TANK DIAMETER 36" I.D.

NOTE: PLAIN END PIPE FITTING CONNECTIONS AVAILABLE ONLY FOR MECHANICAL JOINT (M/J) FITTINGS!

NOTE: THE VENT CONNECTION IS OPTIONAL. PLEASE ADVISE IF YOU NEED IT FOR THIS JOB?

FITTING POSITIONS, HEIGHTS (CENTERLINES) AND SIZES CAN BE CHANGED PRIOR TO MANUFACTURING (PER ENGINEERS NEEDS OR FIELD CONDITIONS). IF CHANGE DESIRED, MARK UP THIS DRAWING ACCORDINGLY.

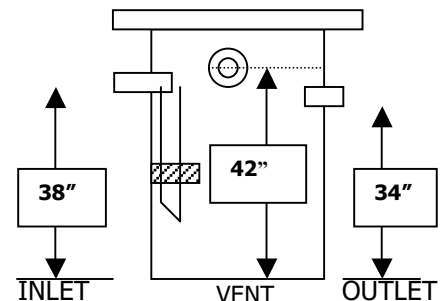
FITTING SIZE

FITTING TYPE

FITTING CENTERLINE LOCATION

FITTING CENTERLINES

| | FITTING SIZE | FITTING TYPE | FITTING CENTERLINE LOCATION |
|--------|--------------|---------------------------------|-----------------------------|
| INLET | 4" | MALE THREADS, OR PLAIN END PIPE | 38" |
| OUTLET | 4" | | 34" |
| VENT | 4" | | 42" |



6" PLAIN END PIPE CONNECTIONS ALSO AVAILABLE, (M/J) COUPLINGS OR FLANGED CONNECTIONS AVAILABLE, AT ADDITIONAL COST