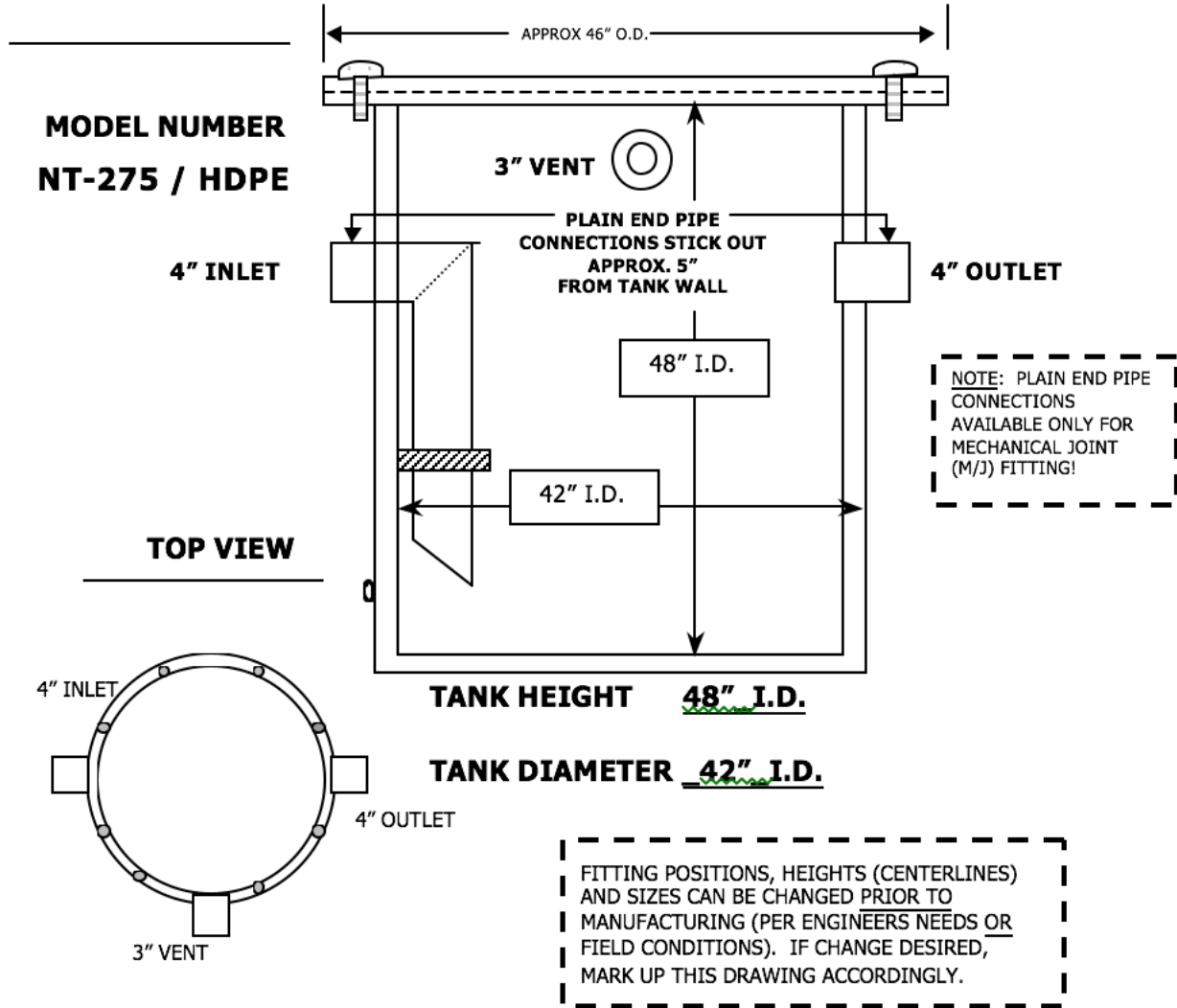




NEUTRALIZATION/ DILUTION TANK SUBMITTAL SHEET



	FITTING SIZE	FITTING TYPE	FITTING CENTERLINE LOCATION	FITTING CENTERLINES
INLET	4"	HDPE PLAIN END PIPE	38"	
OUTLET	4"		34"	
VENT	3"		42"	