

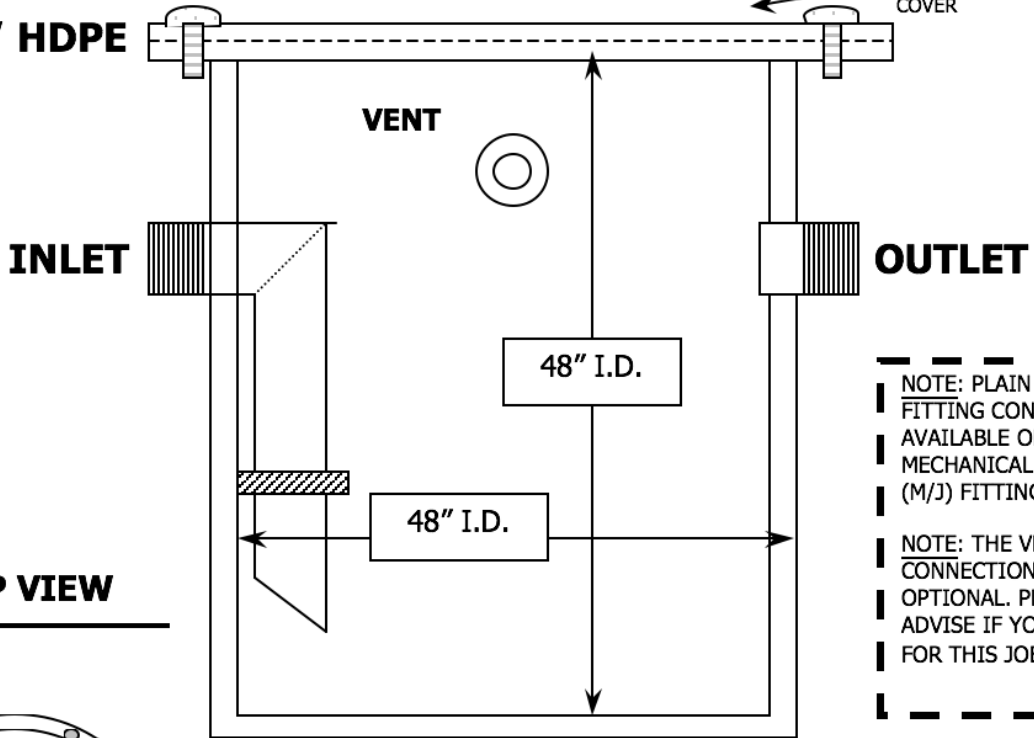


NEUTRALIZATION / DILUTION TANK SUBMITTAL SHEET

MODEL NUMBER

NT-350M / HDPE

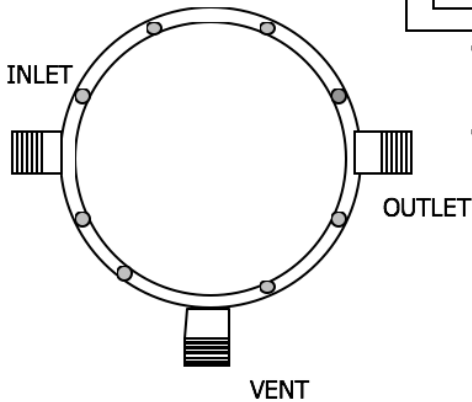
STANDARD BOLTED AND GASKETED REINFORCED COVER



NOTE: PLAIN END PIPE FITTING CONNECTIONS AVAILABLE ONLY FOR MECHANICAL JOINT (M/J) FITTINGS!

NOTE: THE VENT CONNECTION IS OPTIONAL. PLEASE ADVISE IF YOU NEED IT FOR THIS JOB?

TOP VIEW



TANK HEIGHT 48" I.D.

TANK DIAMETER 48" I.D.

FITTING POSITIONS, HEIGHTS (CENTERLINES) AND SIZES CAN BE CHANGED PRIOR TO MANUFACTURING (PER ENGINEERS NEEDS OR FIELD CONDITIONS). IF CHANGE DESIRED, MARK UP THIS DRAWING ACCORDINGLY.

	FITTING SIZE	FITTING TYPE	FITTING CENTERLINE LOCATION	FITTING CENTERLINES
INLET	4"	MALE THREADS or PLAIN END PIPE	38" @ 9:00	
OUTLET	4"		34" @ 3:00	
VENT	2"		42" @ 10:30	

6" PLAIN END PIPE CONNECTIONS ALSO AVAILABLE, (M/J) COUPLINGS OR FLANGED CONNECTIONS AVAILABLE, AT ADDITIONAL COST.

INLET VENT OUTLET