



# TOWN & COUNTRY PLASTICS

*Customized For Precision*

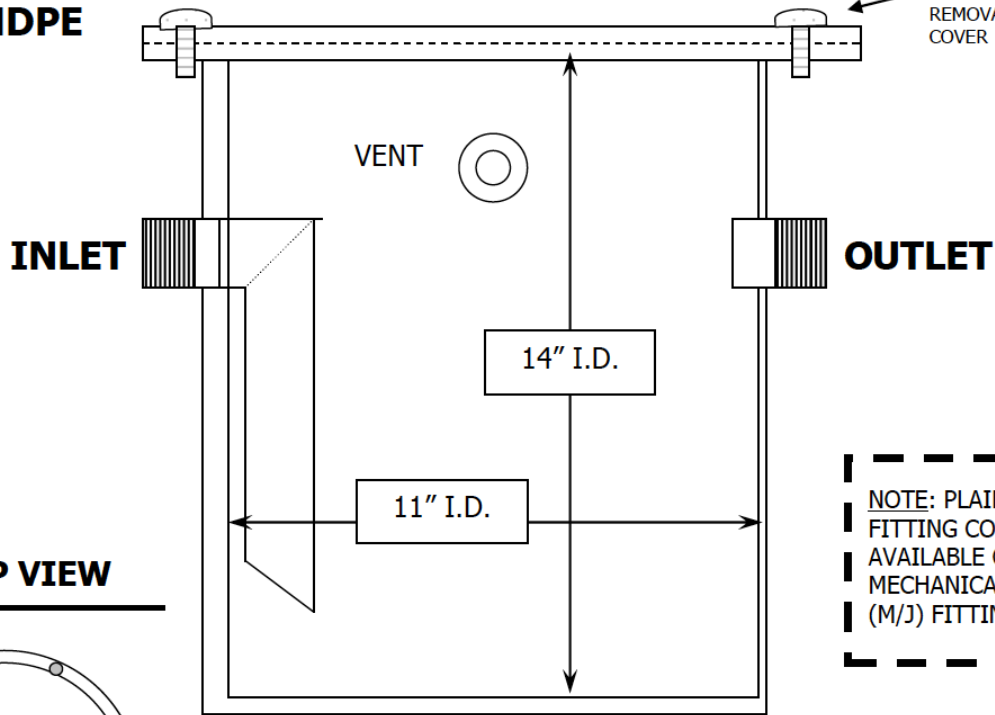
10B Timber Lane, Marlboro, NJ 07746 • (732) 780-5300 • FAX: (732) 294-0001 • www.tandcplastics.com

## NEUTRALIZATION / DILUTION TANK SUBMITTAL SHEET

### MODEL NUMBER

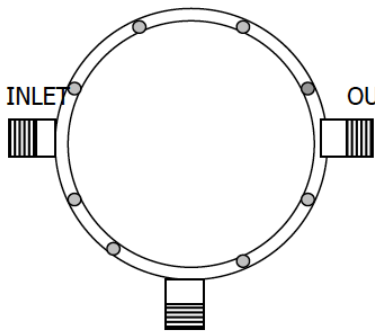
**NT-5 / HDPE**

STANDARD  
BOLTED &  
GASKETED  
REMOVABLE  
COVER



NOTE: PLAIN END PIPE FITTING CONNECTIONS AVAILABLE ONLY FOR MECHANICAL JOINT (M/J) FITTINGS!

### TOP VIEW



**TANK HEIGHT** 14"

**TANK DIAMETER** 11"

FITTING POSITIONS, HEIGHTS (CENTERLINES) AND SIZES CAN BE CHANGED PRIOR TO MANUFACTURING (PER ENGINEERS NEEDS OR FIELD CONDITIONS). IF CHANGE DESIRED, MARK UP THIS DRAWING ACCORDINGLY.

	FITTING SIZE	FITTING TYPE	FITTING CENTERLINE LOCATION	FITTING CENTERLINES
INLET	1 1/2" or 2"	Male IPS Threads HDPE PLAIN END PIPE	11"	
OUTLET			8"	
VENT			12"	