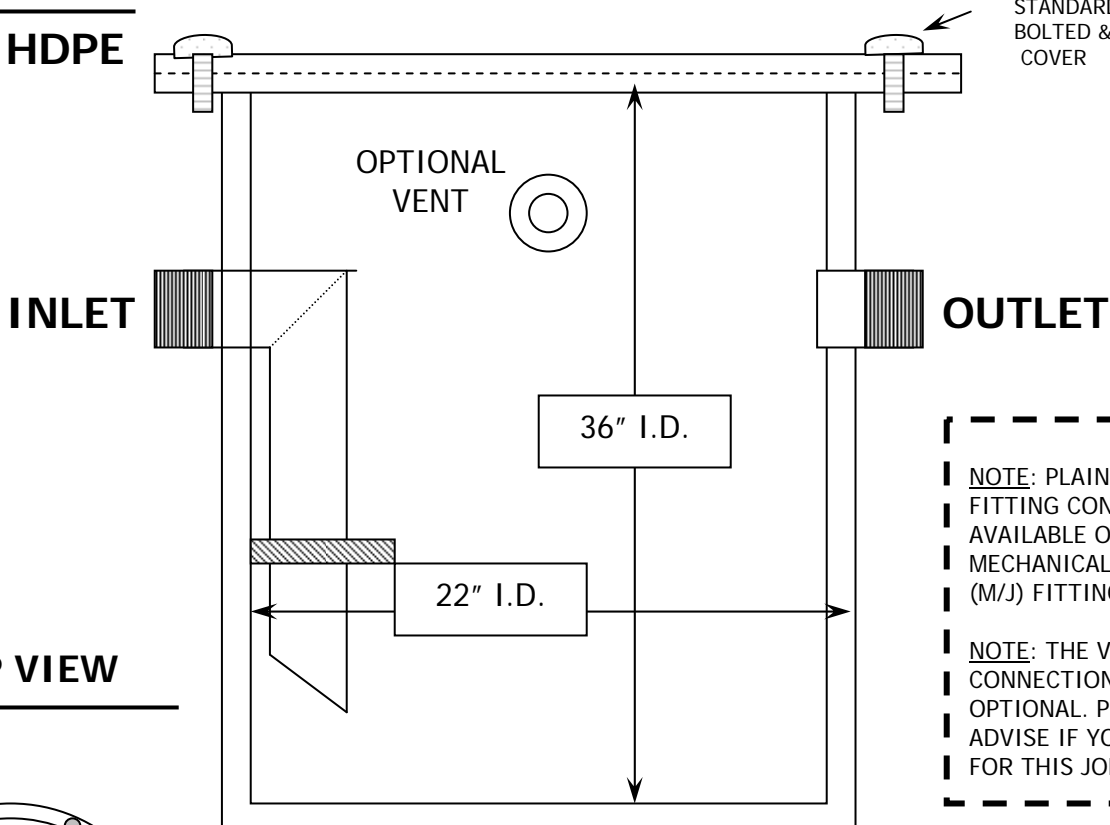


NEUTRALIZATION / DILUTION TANK SUBMITTAL SHEET

MODEL NUMBER

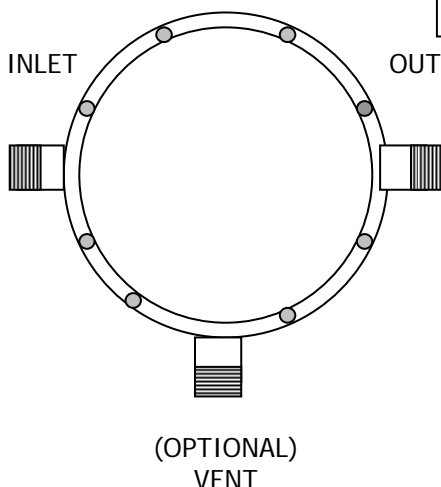
NT-55 / HDPE

STANDARD MOLDED
BOLTED & GASKETED
COVER



NOTE: PLAIN END PIPE FITTING CONNECTIONS AVAILABLE ONLY FOR MECHANICAL JOINT (M/J) FITTINGS!

NOTE: THE VENT CONNECTION IS OPTIONAL. PLEASE ADVISE IF YOU NEED IT FOR THIS JOB?



FITTING POSITIONS, HEIGHTS (CENTERLINES) AND SIZES CAN BE CHANGED PRIOR TO MANUFACTURING (PER ENGINEERS NEEDS OR FIELD CONDITIONS). IF CHANGE DESIRED, MARK UP THIS DRAWING ACCORDINGLY.

	FITTING SIZE	FITTING TYPE	FITTING CENTERLINE LOCATION	FITTING CENTERLINES
INLET	4"	MALE THREADS, OR PLAIN END PIPE	27"	
OUTLET	4"		23"	
(OPTIONAL) VENT	?		31"	

FLANGED CONNECTIONS AVAILABLE AT ADDITIONAL COST