



TOP INLET NEUTRALIZATION / DILUTION TANK INSTALLATION SHEET

MODEL NUMBER

**NT-5MX / HDPE
TOP INLET &
SIDE OUTLET**

THIS STYLE USED FOR
**ISLAND OR TIGHT
CABINETS.**

APPROX. 13" O.D.

(CAN BE TRIMMED TO 12 1/2" O.D., IF NEEDED.)

MODEL #PP-21MTM
Or PP-19MT
TAILPIECE

HALF COVER

**BOLTED & GASKETED
PARTIAL SEMI-CIRCULAR
PP COVER (FLAT)**

LOCKNUT

Plain-End
HDPE
Pipe outlet

INLET

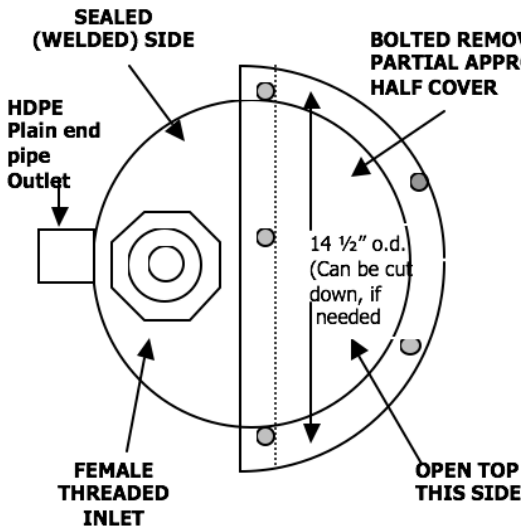
**OPEN SIDE
IN TOP**

14" I.D.

OUTLET

11" I.D.

TOP VIEW



FITTING SIZE

FITTING TYPE

**FITTING CENTERLINE
LOCATION**

**FITTING
CENTERLINES**

INLET

1 1/2 or 2"

FEMALE IPS THREADS

**OFFSET IN TANK TOP
(TOWARD 9:00)**

OUTLET

1 1/2" or 2"

PLAIN END PIPE OUTLET
(TO STICK OUT APPROX. 3")

8" @ 9:00

