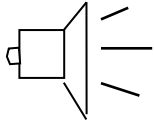


# Model # PP-44T

## Polypropylene Float Assembly for High or Low Level or Leak Detection With Alarms and Switch Box

(audible & visual alarms)



### ALARMS & INDICATION

#### Alarm Indication Station (AIS)

T&C Alarm Indication Station features an indication light, alarm horn and an alarm horn silence switch.

**One (1) Model #PP-44T**

#### SEQUENCE OF OPERATION

Upon an alarm contact closure, the LED indicator will light, and the horn will sound. The horn can be silenced through the alarm silence switch, while the visual indication will continue to be lighted until the alarm condition has been corrected. A power interruption or open alarm contact will reset the AIS.

ALARMS & INDICATION

#### FEATURES

- Long lasting, red LED indication
- Distinct continuous audible tone
- Horn silence switch
- Compact and rugged design
- Available in 120 VAC (special order 24 VAC available, at extra cost)
- Bright yellow panel face

#### APPLICATION

- Refrigerant leak alarm indication
- Water and chemical waste, level alarm indication
- Pressure alarm indication
- High/Low temperature limits
- Gas leak indication
- Humidity limit alarm indication
- Vibration limit
- Voltage/Current level limit
- Any contact closure alarm application



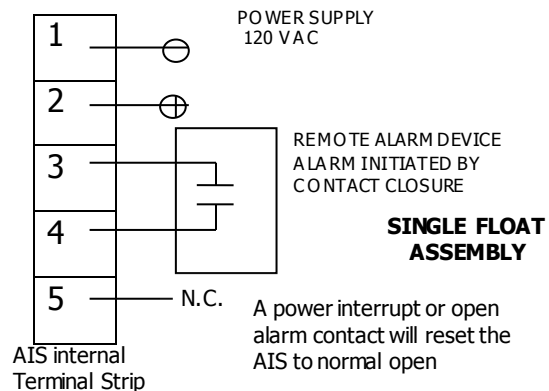
MOUNTED ON ANY WALL (NEAR TANK OR LEAK DETECTION AREA).  
  
120 VOLT SINGLE PHASE  
60 HERTZ POWER REQUIRED

### SPECIFICATIONS

<b>Supply Voltage</b>	120 VAC, 100 mA max
<b>Contact Rating</b>	
<b>AIS-120A</b>	120 VAC, 70 mA min
<b>Alarm Horn</b>	80 db
<b>Dimensions</b>	7.09"H x 4.33"W x 3.54"D (18.0 x 11.0 x 9.0 cm)
<b>Mounting Enclosure</b>	Four screws through back Polystyrene, impact, resistant with knock-outs protection rated for IP66 mode (similar to NEMA 4X).
<b>Approvals</b>	RoHS
<b>Weight</b>	1.1 lb (0.5 kg)

### WIRING

#### FOUR-WIRE CONNECTION



Efficient tooling and our smart production systems produces incredible results. Here's a quality instrument that can sense or control just about any liquid at a paradoxically low price. It's a simple product based on a simple idea. A magnetic float rising or falling in response to liquid level actuates a hermetically sealed magnetic switch. This straightforward method of converting mechanical motion into an electrical signal is so uncomplicated that many years of reliable, low maintenance service can be expected. Whatever your liquid, consider this popular product first. If your environment is compatible, our Model # PP-44T polypropylene floats and alarms are your simplest, most reliable low-cost solution.