



TOWN & COUNTRY PLASTICS

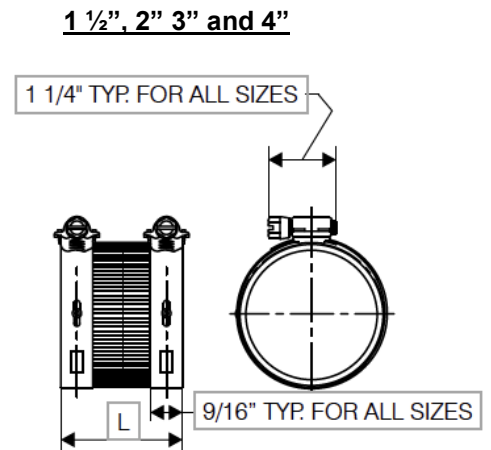
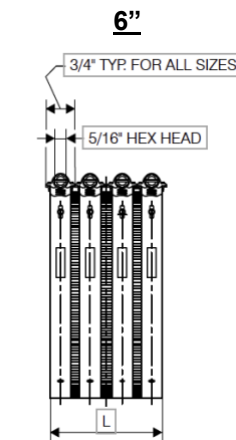
Customized For Precision

10B Timber Lane, Marlboro, NJ 07746 • (732) 780-5300 • FAX: (732) 294-0001 • www.tandcplastics.com

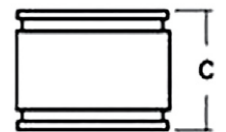
T&C New Product Alert!

Acid Resistant No-Hub Couplings for Plain End Pipe Connections

We are very pleased to announce that we now offer a line of affordable acid resistant stainless steel no hub couplings. Available in 1 1/2", 2", 3", 4" and 6". Details and Pricing Below.



Model Number	Pipe Size (Normal Dia)	C-Height Dimension	Number of Clamps	Band Width (Clamp)
AWC-150	1 1/2"	2 1/8"	2	9/16"
AWC-200	2"	2 1/8"	2	9/16"
AWC-300	3"	2 1/8"	2	9/16"
AWC-400	4"	2 1/8"	2	9/16"
AWC-600	6"	2 1/8"	4	9/16"



FOB Marlboro, NJ

Quantities of 10 or more qualify for FFA

No Minimum Quantity Required