



TOWN & COUNTRY PLASTICS

Customized For Precision

10B Timber Lane, Marlboro, NJ 07746 • (732) 780-5300 • FAX: (732) 294-0001 • www.tandcplastics.com

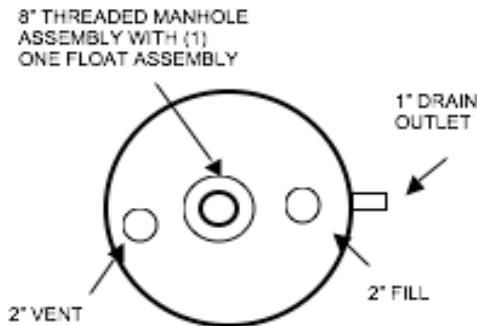
CHEMICAL HOLDING TANK VERTICAL CYLINDRICAL WITH DOMED TOP WITH 8" THREADED MANWAY ASSEMBLY

One
Model # **NTD-100M** / HDPE

Acid or caustic
Tank #3

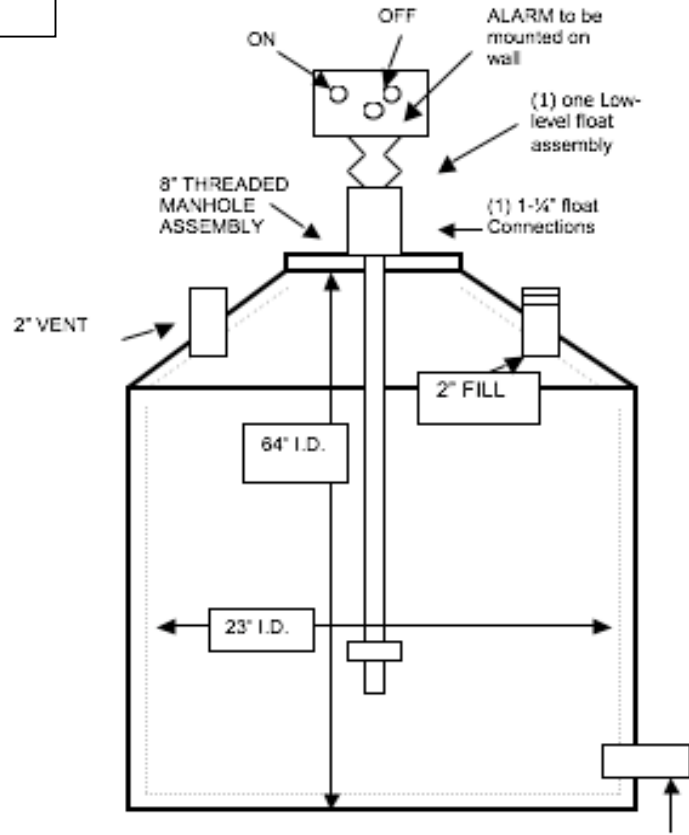
NOTE: CONTRACTOR TO RUN 1" AND 1/2" POLYPROPYLENE SCH. 80 THREADED P-V-F FROM EACH TANK TO EACH PUMP AND 1/2" SAME FROM PUMP TO MIXING TANK #2.

TOP VIEW



Note: TANKS MUST BE VENTED TO ACID WASTE VENTING SYSTEM. DO NOT TIE BOTH TANK VENTS IN AT THE SAME EXACT LOCATIONS. --TIE INTO VENT HEADER AT LEAST 10-FT APART.

(CONTRACTOR TO OBTAIN TYPICAL PIPING LAYOUT DETAIL FROM T&C, PRIOR TO INSTALLATION.) For 1" PP THR. sch. 80 p-v-f from pumps and to mixing tank.



TANK DIMENSIONS

TANK DIAMETER 23" I.D.

TANK HEIGHT 64" I.D.

1-1/4" DRAIN
OUTLET
TO PUMP

NOTE: 1-1/4" MPT X 1" FPT BUSHING TO BE INSTALLED ON EACH TANK DRAIN OUTLET.

	FITTING SIZES	FITTING TYPE	FITTING LOCATIONS
FILL INLET	2"	MALE IPS THREADS	IN TOP
VENT	2"	HDPE PLAIN END PIPE	IN TOP
DRAIN	1"	FEMALE IPS THREADS	SIDE IN BOTOM
FLOAT ASSY.	1-1/4"	FEMALE IPS THREADS	IN TOP