



# TOWN & COUNTRY PLASTICS

Customized For Precision

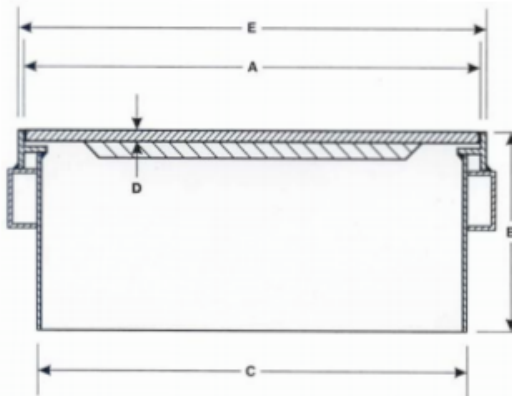
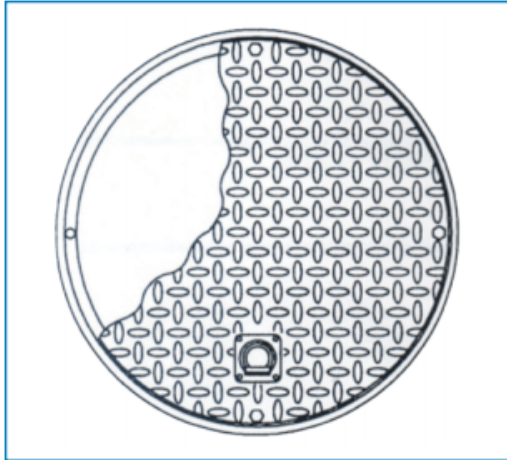
10-B Timber Lane, Marlboro, NJ 07746 • (732) 780-5300 • FAX: (732) 294-0001 • www.tandcplastics.com

## WT SERIES

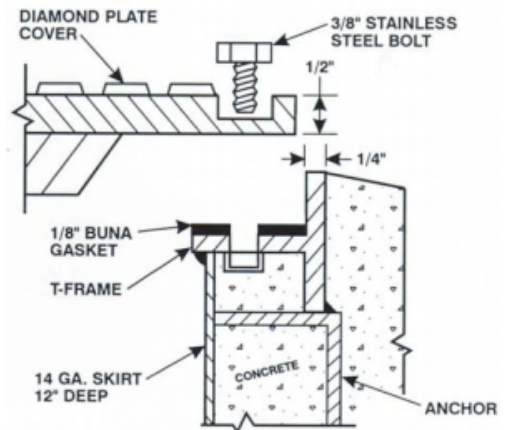
### WATERTIGHT MANHOLES

#### STANDARD FEATURES

- REINFORCED DIAMOND PLATE STEEL COVERS WITH H-20 TRUCKLOAD RATING.
- 1/8" BUNA-N GASKET AND STAINLESS STEEL SET BOLTS.
- 14 GAUGE SKIRTS.
- RECESSED WATERTIGHT PICKING EYE(S) FOR EASY COVER REMOVAL.
- CONCRETE CHANNEL ANCHORS.
- COMPLETE WELDED STEEL CONSTRUCTION.
- ALL STEEL COATED WITH RUST PREVENTIVE PAINT.
- OPTIONAL INTERNAL ACCESS PORTS AVAILABLE. SEE OUR DUAL AND TRIPLE ACCESS SERIES MANHOLES.



#### SECTION AA



#### SOLID COVER WATERTIGHT MANHOLES

MODEL	A	B	C	D	E	F	G
180 WT	18 1/2"	12"	18 1/4"	3/8"	19 3/4"	0	2
240 WT	24"	13"	22 1/4"	3/8"	24 3/4"	1	2
300 WT	29 3/4"	13"	28 3/4"	3/8"	30 3/4"	1	4
360 WT	35 3/4"	13"	35"	3/8"	36 1/2"	2	4
380 WT	38"	13"	37 1/2"	3/8"	38 1/2"	2	4
420 WT	42"	13"	41 1/2"	1/2"	43"	2	4
480 WT	48"	13"	46 1/2"	1/2"	49"	2	6

**MODEL NO: WT**

**DWG NO: WT**

NOTE: A) SPECIFY 10". B) DIMENSION FOR ALL SHELL OIL APPLICATIONS.

WT  
WATERTIGHT  
SOLID COVER  
MANHOLES