



TOWN & COUNTRY PLASTICS

Customized For Precision

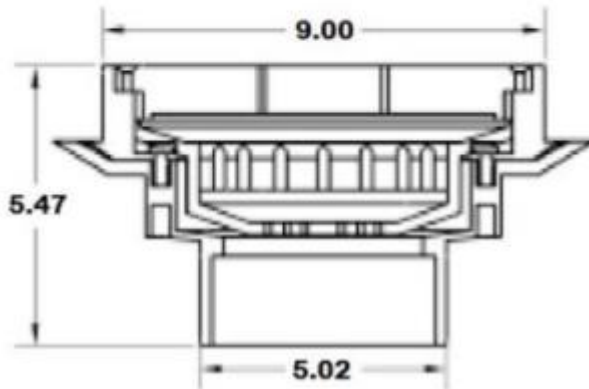
10B Timber Lane, Marlboro, NJ 07746 • (732) 780-5300 • FAX: (732) 294-0001 • www.tandcplastics.com

Model # PVC- 4751- 4" Grate Floor Drain



- 8 1/2" diameter grate available in plastic, cast iron, aluminum, nickel and brass with 24 sq. inch flow area.
- Available with or without PVC sediment bucket
- PVC clamping collar with molded in weep holes
- PVC or ABS base connector.
- 4" fits over 4" sch. 40 DWV pipe.
- Available tapped for trap primer
- Threaded metal inserts for attaching clamping collar.

Available with sold bottom sediment bucket; specify "S" after part #



Available cast iron, aluminum, nickel and brass grates at extra cost, plastic grates are standard.

PRODUCT DETAILS

<u>PVC</u>	<u>DESCRIPTION</u>
PSB-952	W/ Plastic Grate and Sediment Bucket
PSB-956	W/ Cast Iron Grate and Sediment Bucket
PSB-956a	W/ Aluminum Grate and Sediment Bucket
PSB-956n	W/ Nickel Grate and Sediment Bucket
PSB-956b	W / Brass Grate and Sediment Bucket
PSD-962	W/ Cast Iron Grate
PSD-966a	W/ Aluminum Grate
PSD-966n	W/ Nickel Grate
PSD-966b	W/ Brass Grate