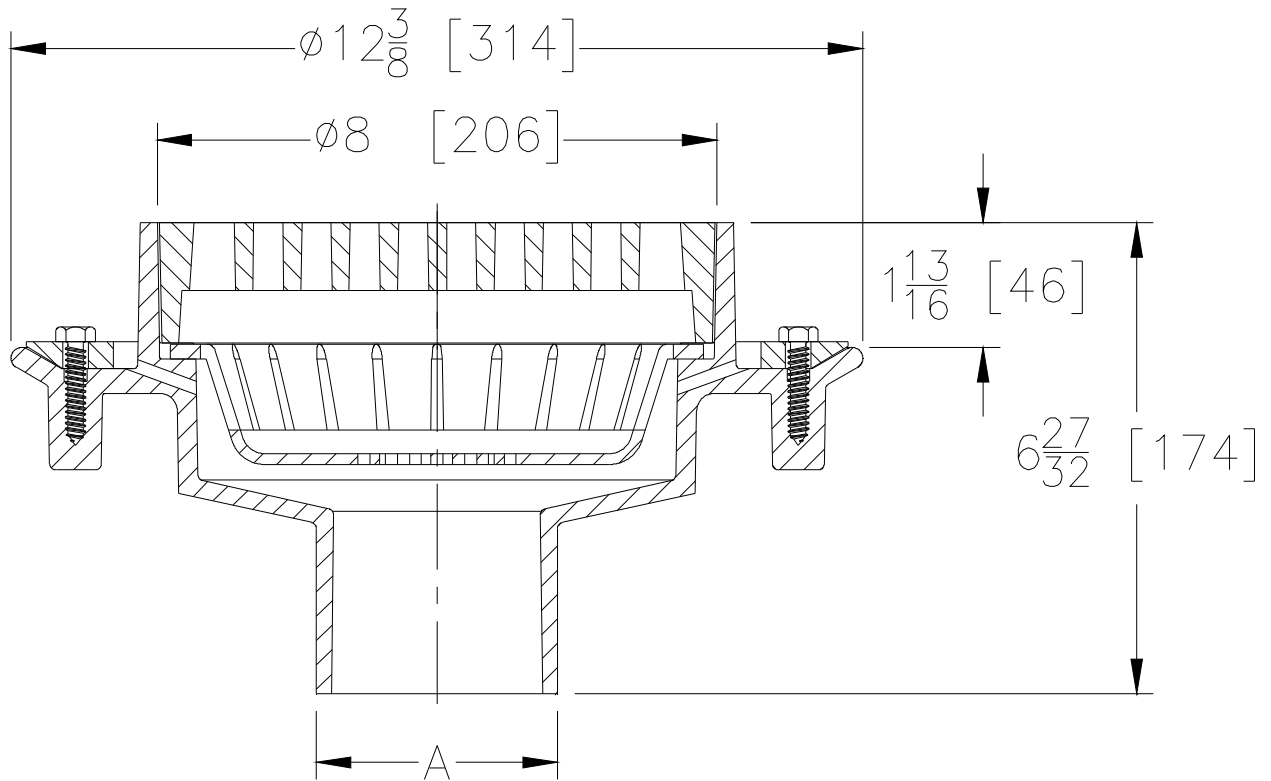


Dimensional Data (inches and [mm]) are Subject to Manufacturing Tolerances and Change Without Notice

PP floor drain



Dimensions In Inches	
Model No.	A Pipe Size
PP-7750P	3 [76]
PP-7751P	4 [102]
PP-7752P	6 [152]

ENGINEERING SPECIFICATION:

F.R.P.P.-210 Floor Drain-Flame Retardant polypropylene body with bottom outlet, polypropylene combination membrane clamp, sediment bucket and deep flanged grate.

OPTIONS (Check/specify appropriate options)

- F Polypropylene 6 x 4 [152 x 102] Funnel
- SS Stainless steel Grate
- TP Trap Primer
- VP Vandal-Proof
- W Winter Closure Plug

* Regularly furnished unless otherwise specified.