

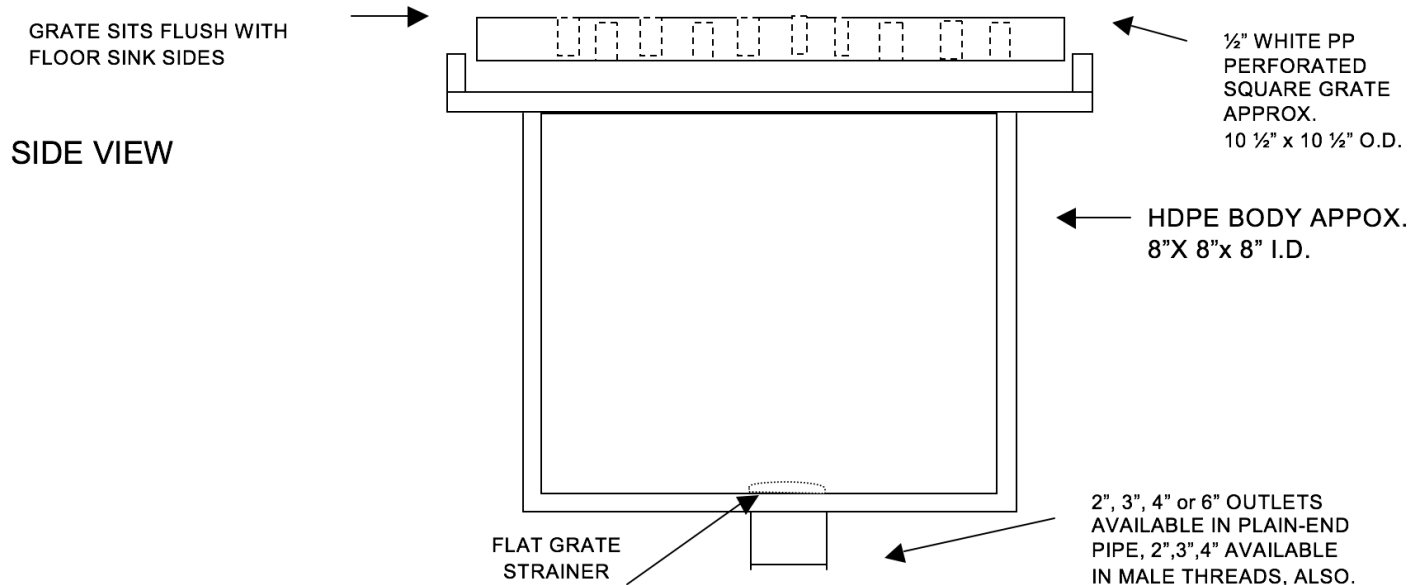


TOWN & COUNTRY PLASTICS

Customized For Precision

10-B Timber Lane, Marlboro, NJ 07746 • (732) 780-5300 • FAX: (732) 294-0001 • www.tandoplastics.com

**9" X 9" HDPE FLOOR SINK ASSEMBLY
(MODEL #R-8-8-8 / HDPE AND #PVC-5809)**



NOTE: ALL COMPONENTS ARE MADE OF ACID RESISTANT HDPE AND / OR PP MATERIALS.

WHEN ORDERING, PLEASE SPECIFY OPTIONS:

- 1) CHOOSE OUTLET SIZE AND TYPE PLAIN-END PIPE OR MALE THREADS.
- 2) INSIDE GRATE STRAINER AVAILABLE IN DOMED OR FLAT STYLE.
- 3) OTHER TYPE OF OUTLET CONNECTIONS AVAILABLE AT EXTRA COST.
- 4) FULL, 3/4 OR HALF GRATE TOP AVAILABLE AT SAME COST.
- 5) ANCHORING AND FLASHING FLANGES AVAILABLE, AT EXTRA COST.
- 6) ANCHORING NUTS AND RECESSED BOLT HOLES IN GRATE AVAILABLE, AT EXTRA COST.

NOTE: PLAIN-END PIPE IS FOR MECHANICAL JOINT CONNECTION (SUCH AS FERNCO ADAPTERS). THEY CANNOT BE CEMENTED TO PVC OR ABS FITTINGS.