



**TOWN & COUNTRY PLASTICS**

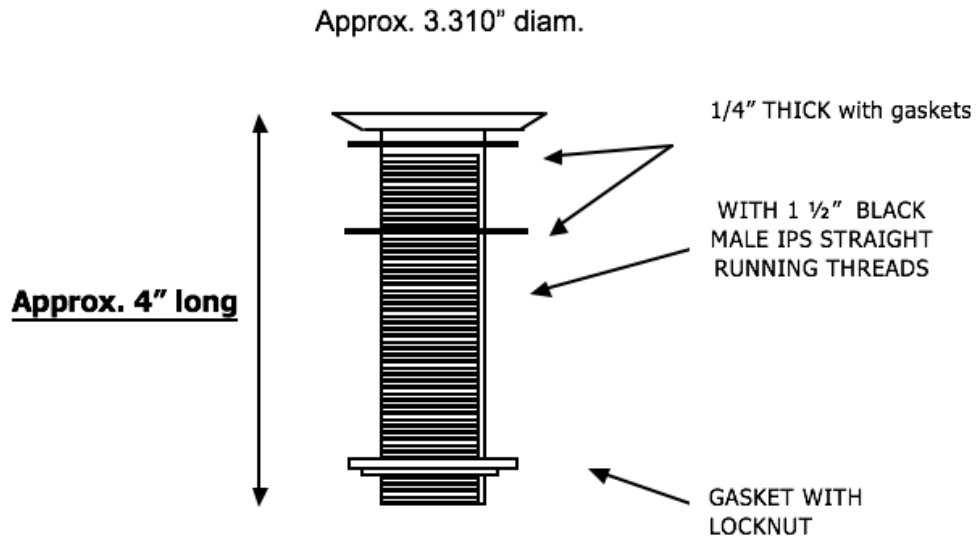
*Customized For Precision*

10B Timber Lane, Marlboro, NJ 07746 • (732) 780-5300 • FAX: (732) 294-0001 • [www.tandcplastics.com](http://www.tandcplastics.com)

**MODEL #PP-41AP**  
**Sink Strainer with plug**

**POLYPROPYLENE SINK STRAINER  
(ACID & CHEMICAL RESISTANT)**

**SIDE VIEW**



**TOP VIEW**

