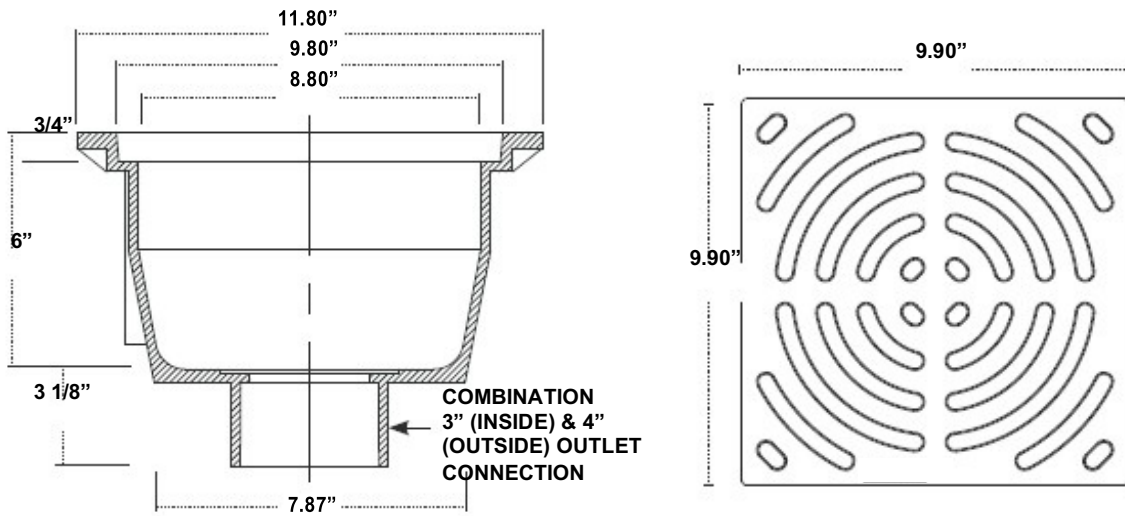
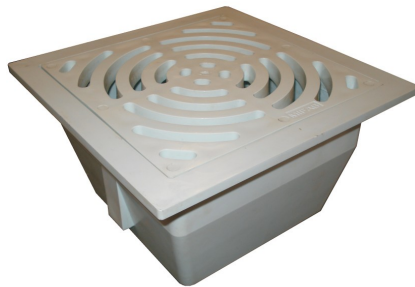




MODEL #: PVC-7200

Specification: PVC floor sinks are manufactured out of PVC material to provide the ultimate in sanitary design. PVC material has excellent resistance to chemicals such as the acids contained in fruits, vegetables and fats. The smooth, uniform surface is easy to clean and the floor sink will not chip or rust. PVC floor sinks are lightweight for easier handling, installation and transportation. PVC floor sinks are available with optional dome bottom strainer and with full, three-quarter or half PVC, nickel bronze or stainless steel grate configurations.

Function: Used in kitchens, restaurants, grocery stores, hospitals, schools, and other areas that require a large volume sanitary drain. The light duty grate is recommended for foot traffic. The PVC light duty grate is not recommended for vehicle traffic.



Model No.	Outlet Size
PVC-7220	2" Socket
PVC-7230	3" Socket
PVC-7240	4" Socket

Note: 4" outlet socket connection body fits into 4" PVC pipe and over 3" PVC pipe.

SUFFIX	OPTIONAL VARIATIONS	SUFFIX	OPTIONAL VARIATIONS
(Standard)	Full PVC grate	-150	1/2 PVC grate
-1	Full NB grate and frame and frame	-175	3/4 PVC grate
-3	Full SS grate and frame and frame	-150-1	1/2 NB grate and frame
-5	Sediment bucket	-175-1	3/4 NB grate and frame
-89	PVC dome bottom strainer (A1-PB)	-150-3	1/2 SS grate and frame
		-175-3	3/4 SS grate and frame

Job Name: _____	Page No: _____
Section No: _____	Contract: _____
Schedule No: _____	Purchase Order No: _____