

THERMA-HEXX®

GENERAL NOTES:

ThermaPANEL pedestal mounted paver heat exchanger system.

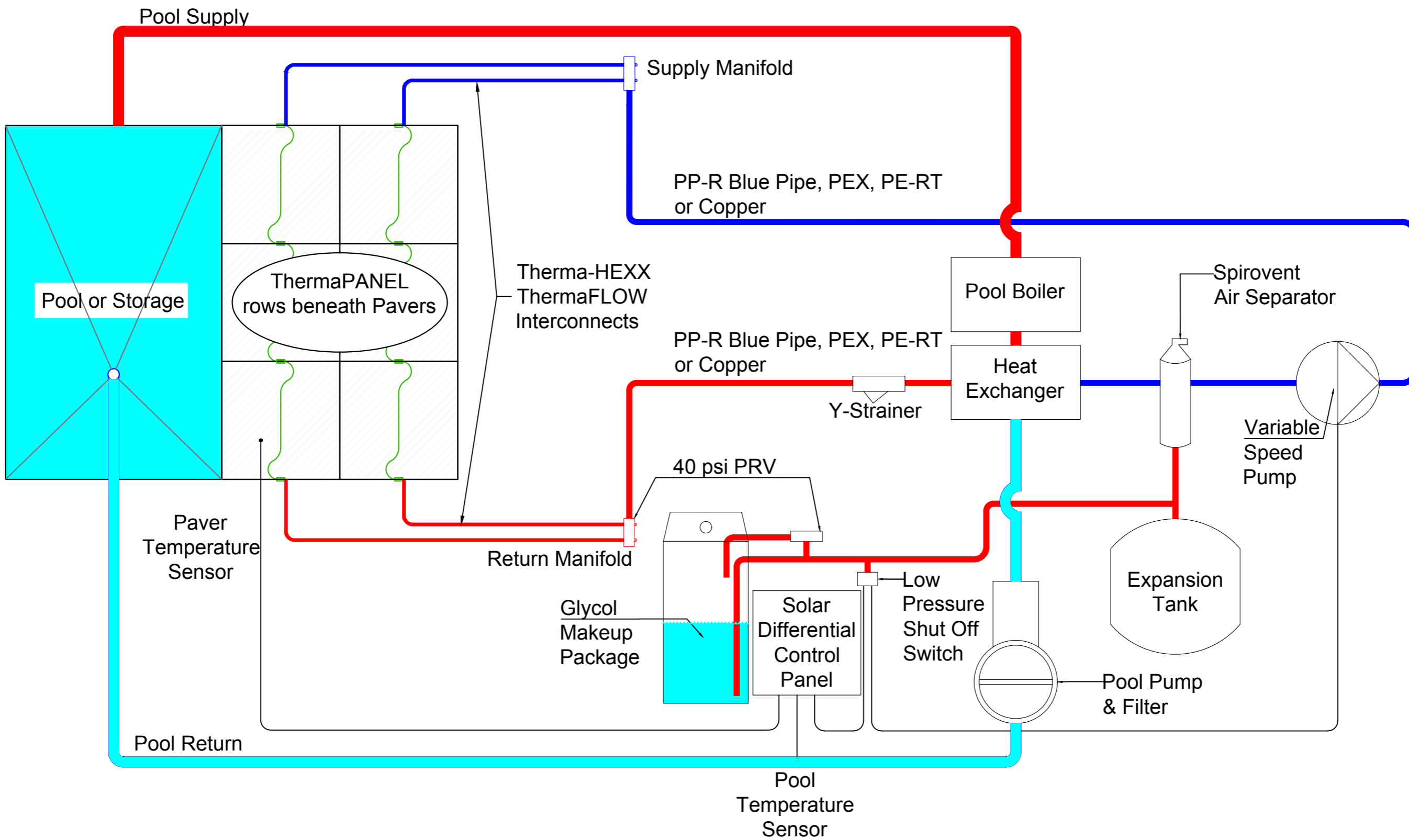
Each square represents 1 paver if applicable (by others) and 1 ThermaPANEL unit. Units are connected with S shaped 1/2" CTS PE-RT tubes using Therma-HEXX socket fusion technology. The S shaped tubes allow for the rows to be folded into bundles that fit into 7' long boxes. They also provide adjustability to the spacing and alignment of the panels.

Less than full panels, indicated with T on the plans, are trimmable. They can be trimmed on the inactive side of the panel by the contractor with a circular saw or jig saw.

The supply and return 1/2" CTS PE-RT tubes can be connected using standard push on connectors, socket fusion welding, or conventional crimp type pex fittings (all by others unless quoted in the system package).

Pavers, pedestals, PEX or PE-RT tube interconnects, manifolds, main send and return pipes, pumps, control systems, heat exchangers, expansion tanks, air eliminators, fittings and other components to be supplied by others unless quoted in the system package or by separate contract as specified by the mechanical engineer.

Contact: (603) 319-8815



ThermaPANEL Solar Pool - Domestic Water Heating / Patio Cooling Schematic

REV	DESCRIPTION	DATE	BY

DRAWN BY: PAC	CHECKED BY: RRV
------------------	--------------------

DATE: 10/24/16	SHEET: 1
-------------------	-------------

SCALE: N/A	1
---------------	---

PROJECT: REFERENCE

TITLE: POOL HEATING SYSTEM SCHEMATIC
