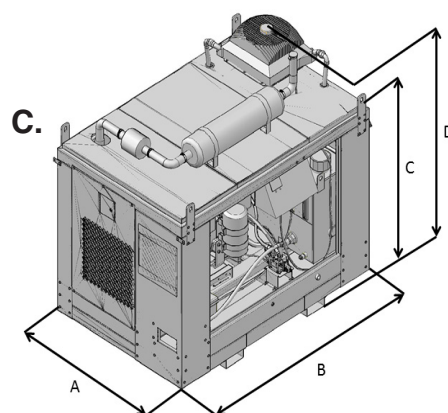
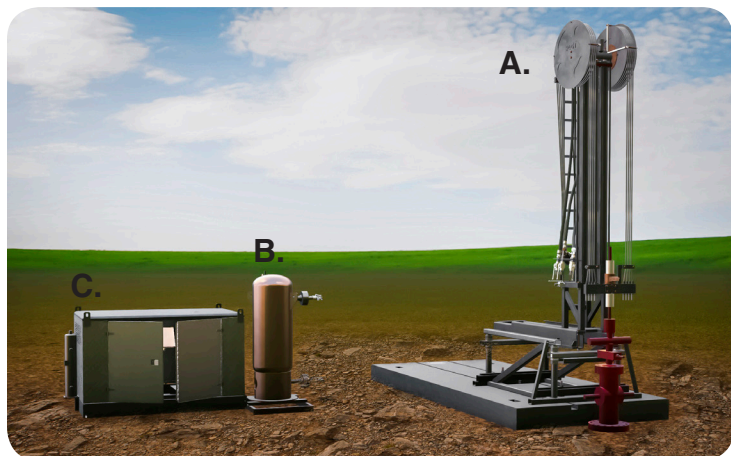


Technical Specifications

Zedi SilverJack™ 8000 Artificial Lift System

The Zedi SilverJack Artificial Lift System is a unique combination of a surface hydraulic lift solution integrated with a powerful optimization controller and a flexible web-based data management system (Zedi Access). The integrated solution can remotely detect, alarm and resolve many common problems encountered with conventional downhole rod pumping equipment.



A. Cylinder

Performance				
Cylinder	Maximum Rod Load	Maximum Effective Stroke Length	Support Structure Option	Rod Rotation Option
35-200	35,000 lbs [15,875 kg]	200" [5.0 m]	4 piles or concrete pad	T-252 or T-302
35-240	35,000 lbs [15,875 kg]	240" [6.1 m]		
45-240	45,000 lbs [20,410 kg]	240" [6.1 m]		

B. Nitrogen Storage Tank

Dimensions				
N2 Storage System	Vessel Volume	Vessel Outer Diameter	Vessel Height	Maximum Operating Pressure
110 US Gallon	110 US gal [416 L]	24" [610 mm]	60" [1524 mm]	2,200 PSI [15,168 kPa]
260 US Gallon	260 US gal [984 L]	30" [762 mm]	96" [2438 mm]	2,000 PSI [13,790 kPa]

C. Powerpack

Powerpack	Performance						Dimensions			
	Power Source	Power Output	Hydraulic Pump Capacity	Engine Speed	Max Stroke Rate**	A Width	B Length	C Height	D Hydraulic Cooler Height	
Gas Powerpacks	5.7L, V8 Engine Gas	Natural gas or propane	100 HP* [74.6 kW]	130 cc [7.93 ci]	1800 RPM	5.5 SPM	4' 10-1/4" [1480 mm]	7' 4" [2235 mm]	5' 4-1/8" [1628 mm]	6' 9-9/16" [2071 mm]
AC Powerpacks	50 HP AC Motor	460 VAC, 3 phase, 70A	50 HP [37.3 kW]	147 cc [8.97 ci]	1800 RPM	5.5 SPM				
	100HP AC motor	460 VAC, 3 phase, 160A	100 HP [74.6 kW]	180 cc [10.98 ci]	1800 RPM	7.0 SPM				

* Effective horsepower varies with casing gas quality ** Maximum stroke rate (SPM) can vary depending on peak polished rod load

Controller

The SJ8000 Artificial Lift System comes equipped with a graphics based integrated controller to monitor and control all aspects of the lift system. The controller provides the local HMI for viewing and changing all of the many operating parameters of the system. The controller also provides the interface to Zedi Access, Zedi’s web based production data management platform, which provides remote monitoring, alarming and control.

Features:

- Pump Efficiency Optimizer (PEO) – automatically adjust pump speed to maintain target pump fill
- Pump timer options
- Estimated production
- Traveling and standing valve tests
- Remote “Go To” function
- Precise rod string control
- Y-Day values for diagnostics and alarming
- Pump cards

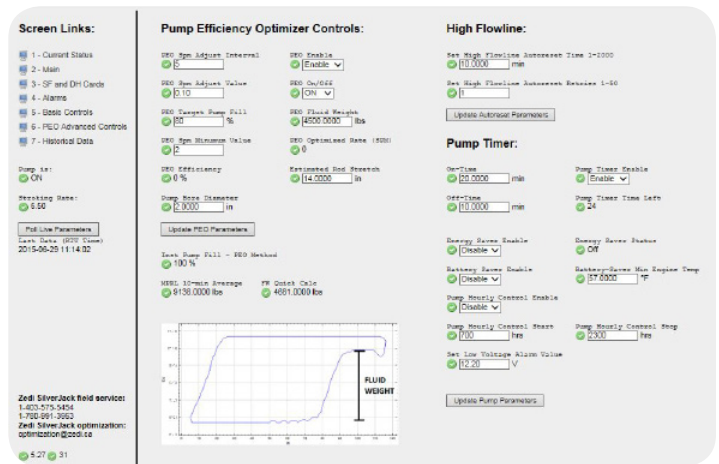


Data Management

Zedi Access, production data management platform, allows monitoring and control of the SilverJack system remotely over the internet. Various Live Data Screens on Zedi Access provide a near real time view to the status of the system. Most of SilverJack’s operating parameters can be changed remotely via Zedi Access, greatly reducing the need to travel to site. Zedi Access also provides the data storage capabilities necessary to develop long term trends and intelligent alarming.



Live Data Status Screen



Pump Efficiency Optimizer Screen

Optimization

The combination of Zedi Access and the SJ8000 Controller provides very powerful optimization capabilities. Early detection, intelligent alarming, data trending and remote control capabilities combined provide the information necessary to keep your SilverJack Artificial Lift system running as efficiently as possible.

Copyright 2015 Zedi Inc. All rights reserved. Printed in Canada This document is proprietary to Zedi Inc. Do not reproduce use or disclose without permission. We have made every effort to ensure the accuracy of all information contained in this document. However, Zedi Inc. makes no expressed or implied warranty or representation based upon the enclosed information.