

Zedi SilverJack™ 6000

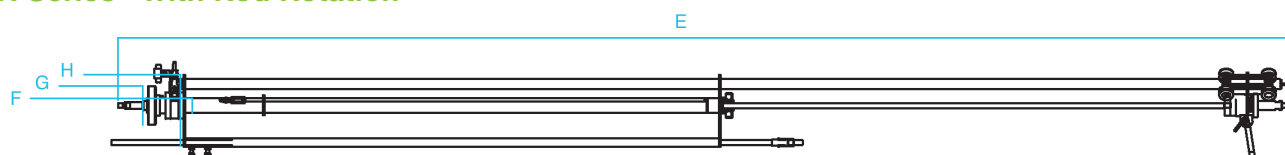
Artificial Lift System

Technical Specifications

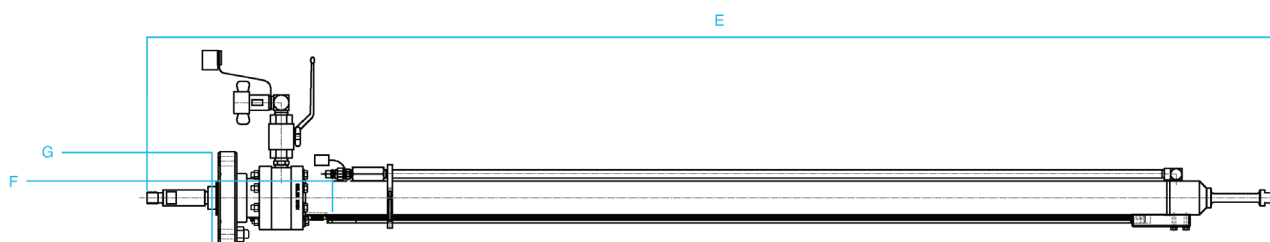
A variety of power sources (electric or natural gas/propane) and hydraulic cylinders are available. The entire system is delivered and installed without the need for heavy equipment, pilings, or cement pads.

Cylinder

N Series - With Rod Rotation



N Series - Without Rod Rotation



		Technical Specifications			Performance		Dimensions			
Cylinder		Maximum effective stroke length	Maximum rod load	Installation time	Maximum production*	Maximum operating depth*	E	F	G	H
							Retracted length	Cylinder outer diameter	Flange outer diameter	Rod rotator brace width
N Series - With Rod Rotation	3.1" X 80"	76" [1930 mm]	13,500 lbs [6124 kg]	2-4 hrs.	200 bbl/day [32 m ³ /day]	6561' [2000 m]	211.3" [5367 mm]	3.5" [89 mm]	9.5" [241 mm]	17.6" [448 mm]
	3.4" X 120"	116" [2946 mm]	13,500 lbs [6124 kg]	2-4 hrs.	300 bbl/day [48 m ³ /day]	6561' [2000 m]	290.8" [7386 mm]	3.5" [89 mm]	9.5" [241 mm]	17.6" [448 mm]
	3.4" X 120"	116" [2946 mm]	22,500 lbs [10,206 kg]	2-4 hrs.	300 bbl/day [48 m ³ /day]	8202' [2500 m]	290.9" [7388 mm]	4.0" [102 mm]	9.5" [241 mm]	17.6" [448 mm]
N Series - Without Rod Rotation	3.1" X 80"	76" [1930 mm]	13,500 lbs [6124 kg]	2-4 hrs.	200 bbl/day [32 m ³ /day]	6561' [2000 m]	116.8" [2967 mm]	3.5" [89 mm]	9.5" [241 mm]	N/A
	3.1" X 120"	116" [2946 mm]	13,500 lbs [6124 kg]	2-4 hrs.	300 bbl/day [48 m ³ /day]	6561' [2000 m]	156.8" [3983 mm]	3.5" [89 mm]	9.5" [241 mm]	N/A
	3.4" X 80"	76" [1930 mm]	22,500 lbs [10,206 kg]	2-4 hrs.	200 bbl/day [32 m ³ /day]	8202' [2500 m]	116.9" [2969 mm]	4.0" [102 mm]	9.5" [241 mm]	N/A
	3.4" X 120"	116" [2946 mm]	22,500 lbs [10,206 kg]	2-4 hrs.	300 bbl/day [48 m ³ /day]	8202' [2500 m]	156.9" [3986 mm]	4.0" [102 mm]	9.5" [241 mm]	N/A

*Values shown are average and are impacted by specific well parameters; Sizing is required to confirm.

Cylinder

E Series



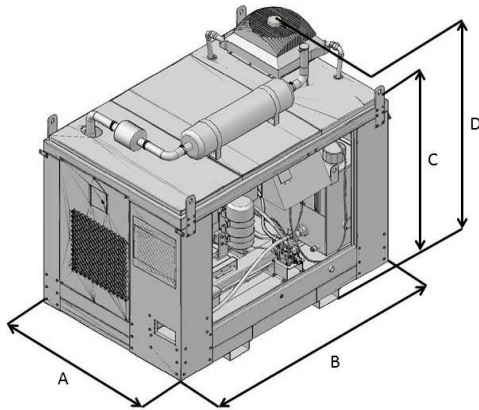
Cylinder	Technical Specifications			Performance		Dimensions				
	Maximum effective stroke length	Maximum rod load	Installation time	Maximum production*	Maximum operating depth*	E Cylinder length	F Cylinder outer diameter	G Pedestal width X depth	H Pedestal length	
E Series**	3.25" X 120"	116" [2946 mm]	15,000 lbs [6804 kg]	2-4 hours	300 bbl/day [48 m ³ /day]	5906' [1800 m]	138.7" [3522 mm]	3.75" [95 mm]	18" X 18" [457 mm X 457 mm]	215.25" [5467 mm]
	3.5" X 120"	116" [2946 mm]	20,000 lbs [9072 kg]	2-4 hours	300 bbl/day [48 m ³ /day]	7218' [2200 m]	138.7" [3522 mm]	4.25" [108 mm]	21" X 21" [533 mm X 533 mm]	216.5" [5499 mm]
	4.0" X 120"	116" [2946 mm]	27,000 [12,247 kg]	2-4 hours	300 bbl/day [48 m ³ /day]	9843' [3000 m]	138.7" [3522 mm]	4.75" [121 mm]	21" X 21" [533 mm X 533 mm]	216.5" [5499 mm]

*Values shown are average and are impacted by specific well parameters; Sizing is required to confirm.

**E Series available with or without rod rotation

Powerpacks

Powerpack — Gas Singles/Tandem and Electric Singles/Tandem/Quad



Powerpack	Technical Specifications					Performance		Dimensions				
	Power source	Power output	Engine speed	Recommended fuel gas inlet pressure before entering enclosure/skid	Recommended fuel gas inlet pressure before entering engine	Maximum hydraulic flow	Max stroke rate ^{††}	A Width	B Length	C Height	D Hydraulic cooler height	
Gas Powerpacks	4.3 L, V6 gas engine	Natural gas or propane	60 HP [44.7 kW]	1800 RPM	60 psi [415 kPa] for natural gas 20 psi [140 kPa] for propane	20 psi [140 kPa] for natural gas 10 psi [70 kPa] for propane	33.1 GPM [125.3 LPM]	5.5SPM	4' 10 1/4" [1480 mm]	7' 4" [2235 mm]	5' 4 1/8" [1628 mm]	6' 9 9/16" [2071 mm]
	5.7 L, V8 gas engine	Natural gas or propane	100 HP [74.6 kW]	1800 RPM	60 psi [415 kPa] for natural gas 20 psi [140 kPa] for propane	25 psi [175 kPa] for natural gas 12 psi [85 kPa] for propane	64.9 GPM [245.7 LPM]	8.0SPM	4' 10 1/4" [1480 mm]	7' 4" [2235 mm]	5' 4 1/8" [1628 mm]	6' 9 9/16" [2071 mm]
	Gas tandem skid [†]	Natural gas or propane	100 HP [74.6 kW]	1800 RPM	60 psi [415 kPa] for natural gas 20 psi [140 kPa] for propane	25 psi [175 kPa] for natural gas 12 psi [85 kPa] for propane	64.9 GPM [245.7 LPM]	7.5SPM	10' [3048 mm]	10' [3048 mm]	8' 11 1/4" [2724 mm]	10' 2" [3098 mm]
AC Powerpacks	Regular capacity AC motor	460 VAC, 3 phase, 70A	50 HP [37.3 kW]	1800 RPM	N/A	N/A	33.1 GPM [125.3 LPM]	5.5 SPM	4' 10 1/4" [1480 mm]	7' 4" [2235 mm]	5' 4 1/8" [1628 mm]	N/A
	High capacity AC motor	460 VAC, 3 phase, 70A	50 HP [37.3 kW]	1800 RPM	N/A	N/A	64.9 GPM [245.7 LPM]	7.0SPM	4' 10 1/4" [1480 mm]	7' 4" [2235 mm]	5' 4 1/8" [1628 mm]	6' 9 9/16" [2071 mm]**
	AC tandem skid [†]	460 VAC, 3 phase, 70A	50 HP [37.3 kW]	1800 RPM	N/A	N/A	64.9 GPM [245.7 LPM]	7.0SPM	10' [3048 mm]	10' [3048 mm]	8' 11 1/4" [2724 mm]	10' 2" [3098 mm]
	AC quad skid [†]	460 VAC, 3 phase, 70A	50 HP [37.3 kW]	1800 RPM	N/A	N/A	64.9 GPM [245.7 LPM]	7.0SPM	10' [3048 mm]	10' [3048 mm]	8' 11 1/4" [2724 mm]	10' 2" [3098 mm]

** For warm climate (US) Powerpacks only

[†] Tandems (2-well skids) and Quad (4-well skid) are enclosed in walk-in buildings

^{††} Maximum stroke rate (SPM) can vary depending on peak polished rod load

Cylinder Installation Parts

Category	Part Description	Part #	Comments
Flange Parts	Companion Flange, 3 1/8" x 3" Line Pipe	30587	Threads onto cylinder.
	Companion Flange, 3 1/8" x 3M x 2 7/8" EUE	30589	Threads onto nipple.
	Studs and Nuts, 7/8" x 6", Set of 8	30588	Bolt up kit for cylinder flange containing a set of 8 studs and nuts.
	R-31 Metal Seal Ring Joint	30586	Gasket for flange at bottom of SilverJack cylinder, between cylinder flange and companion flange.
	Nipple, 2 7/8" x 18" Long	30585	Full bore nipple used between rod lock and SilverJack cylinder.
	SilverJack Custom Swage, 2 3/8" x 2 7/8" EUE x 18"	30323	
	Coupling Tubing 2 3/8" EUE J55 (Collar)	30319	
	Nipple Tubing, 2 7/8" EUE x 2 3/8" EUE STD J55 (Swage)	30320	
Rod Lock Parts	Rod Lock 2 3/8" EUEF x 2 3/8" EUEF, 2" x 1" Side Ports, BOP Assembly, 1 1/4" Polished Rod	30307	Takes the place of a regular flow tee and BOP.
	Rod Lock 2 3/8" EUEF x 2 7/8" EUEF, 2" x 2" NPT Side Ports, BOP Assembly, 1 1/4" Polished Rod	30308	Takes the place of a regular flow tee and BOP.
	Rod Lock 2 7/8" EUEF x 2 7/8" EUEF, 3" x 2" Side Ports	30157	Takes the place of a regular flow tee and BOP.
	Bushing FS 3" x 1" THRD A105N	30314	For flow line side of the rod lock.
Polished Rod Parts	SilverJack Polished Rod 10 ft x 1 1/4", 7/8" Pin	30156	
	Coupling Polished Rod 7/8" REG GRT	30312	Between polished rod and pony/sucker rod.
	Coupling Polished Rod 7/8" x 7/8" Slimhole	30509	Between polished rod and pony/sucker rod.
Pony Rod Parts	Pony Rod 3/4" x 2 ft MMS, Grade D	30321	
	Pony Rod 7/8" x 2 ft MMS, Grade D	30322	
	Pony Rod 3/4" x 1 ft GR 78	30311	
	Pony Rod 7/8" x 1 ft GR 75	30310	
	Pony Rod 1 1/4" x 6", 7/8" Thread	30284	
	Pony Rod 1 1/4" x 4", 7/8" Thread	30283	
	Pick-up Sub 7/8" x 1 ft, 3/4" Thread	30331	
	Coupling Crossover 7/8" x 3/4" REG GR	30313	Between pony rod and sucker rod.
	Coupling Crossover 7/8" x 7/8" Slimhole	30524	Between pony rod and sucker rod.
External Stuffing Box	SilverJack External Stuffing Box, 2 7/8" EUE	30285	
	SilverJack External Stuffing Box, 2 3/8" EUE	30318	