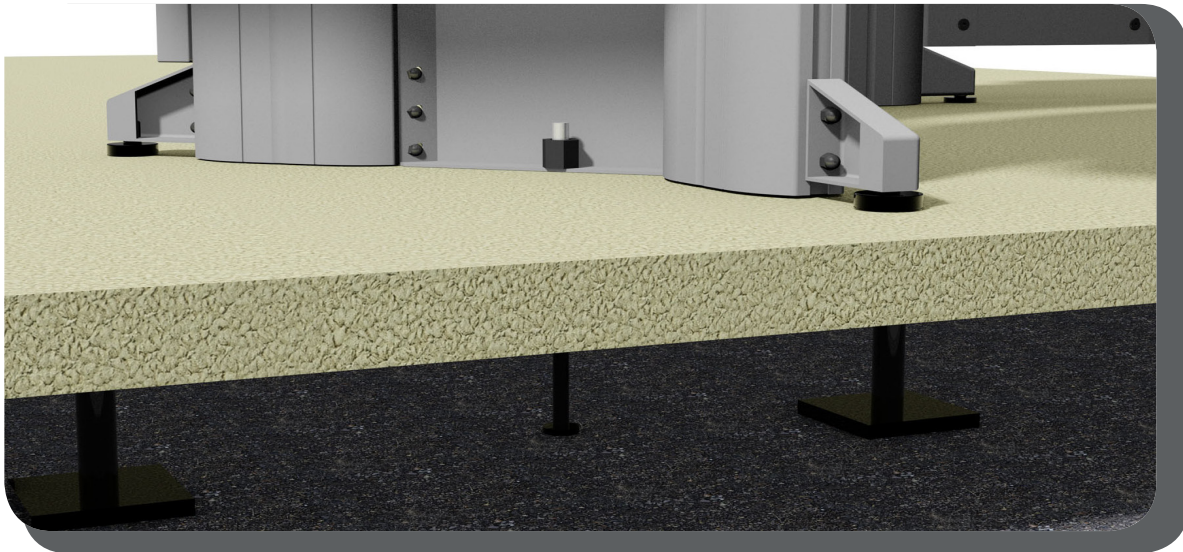
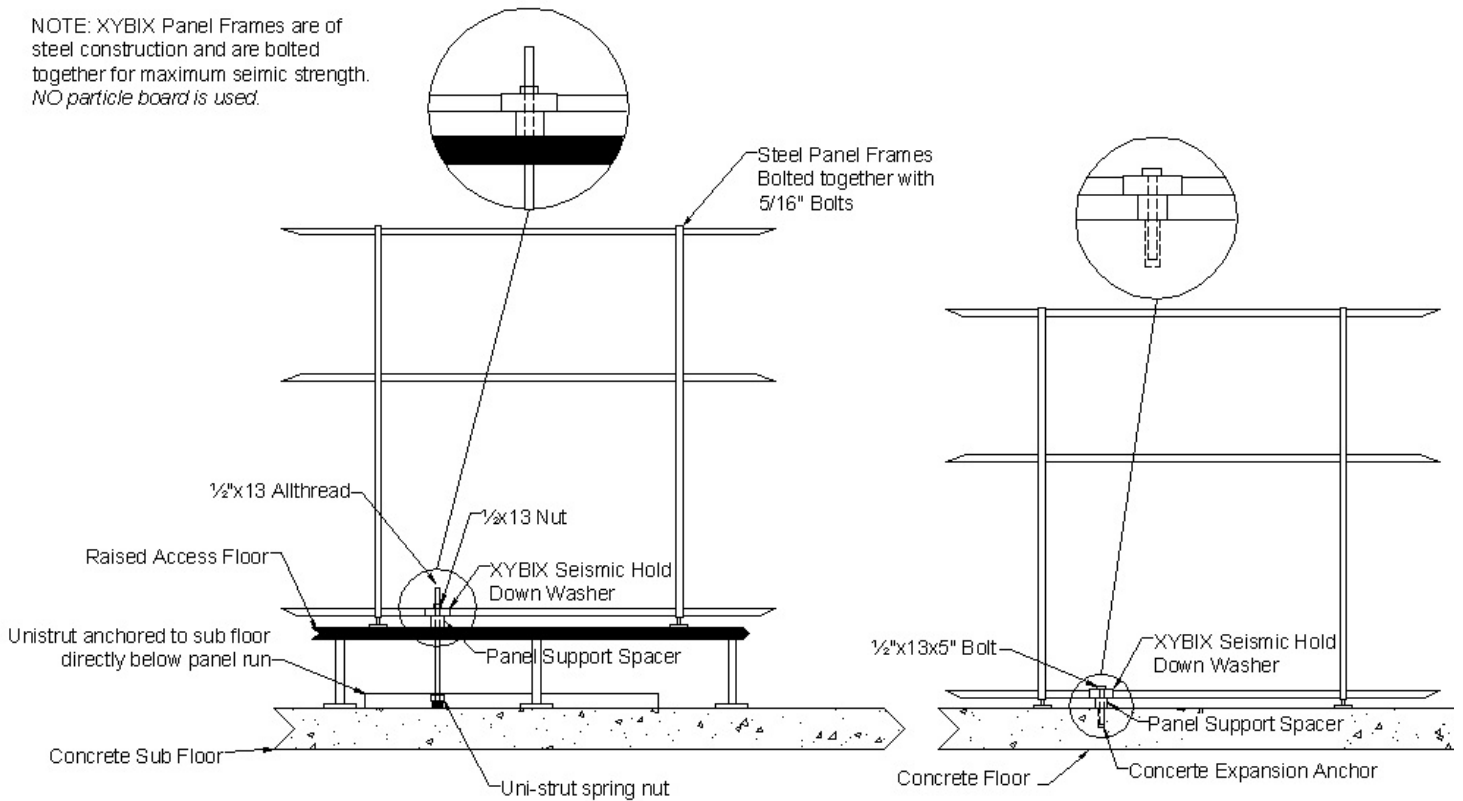


**For added safety and security -
Xybix offers Seismic Anchoring for maximum strength.**

Securing or anchoring equipment is necessary to keeping a communications center up and running in the event of a natural disaster. Xybix offers seismic anchoring to keep consoles secure and functioning in an important emergency.



NOTE: XYBIX Panel Frames are of steel construction and are bolted together for maximum seismic strength. NO particle board is used.



Raised Access Floor Solution

Concrete Floor Solution