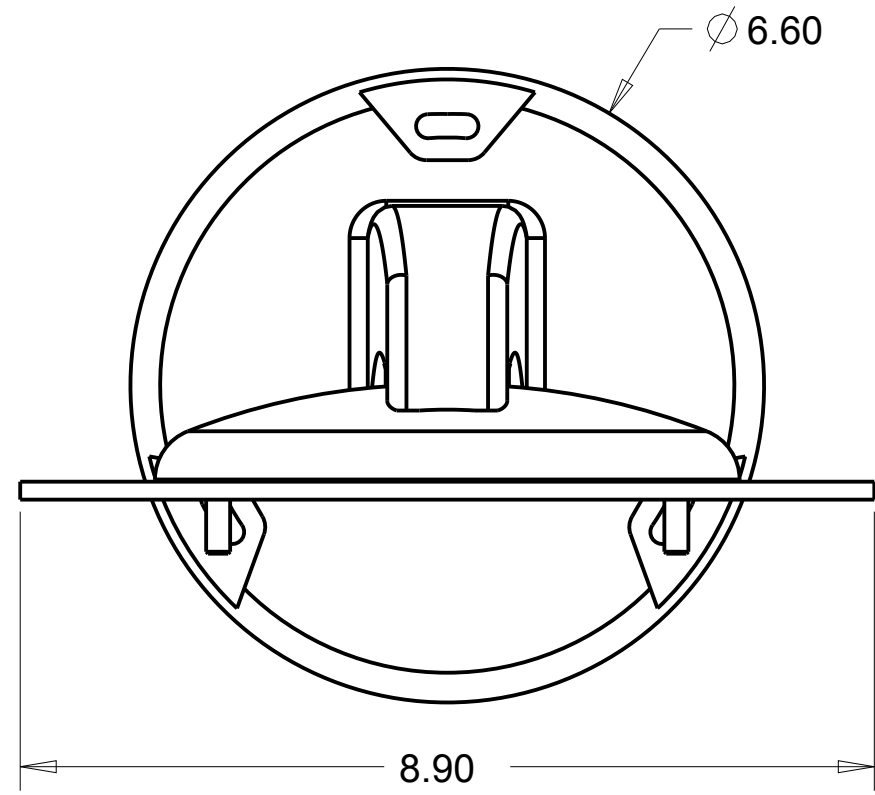
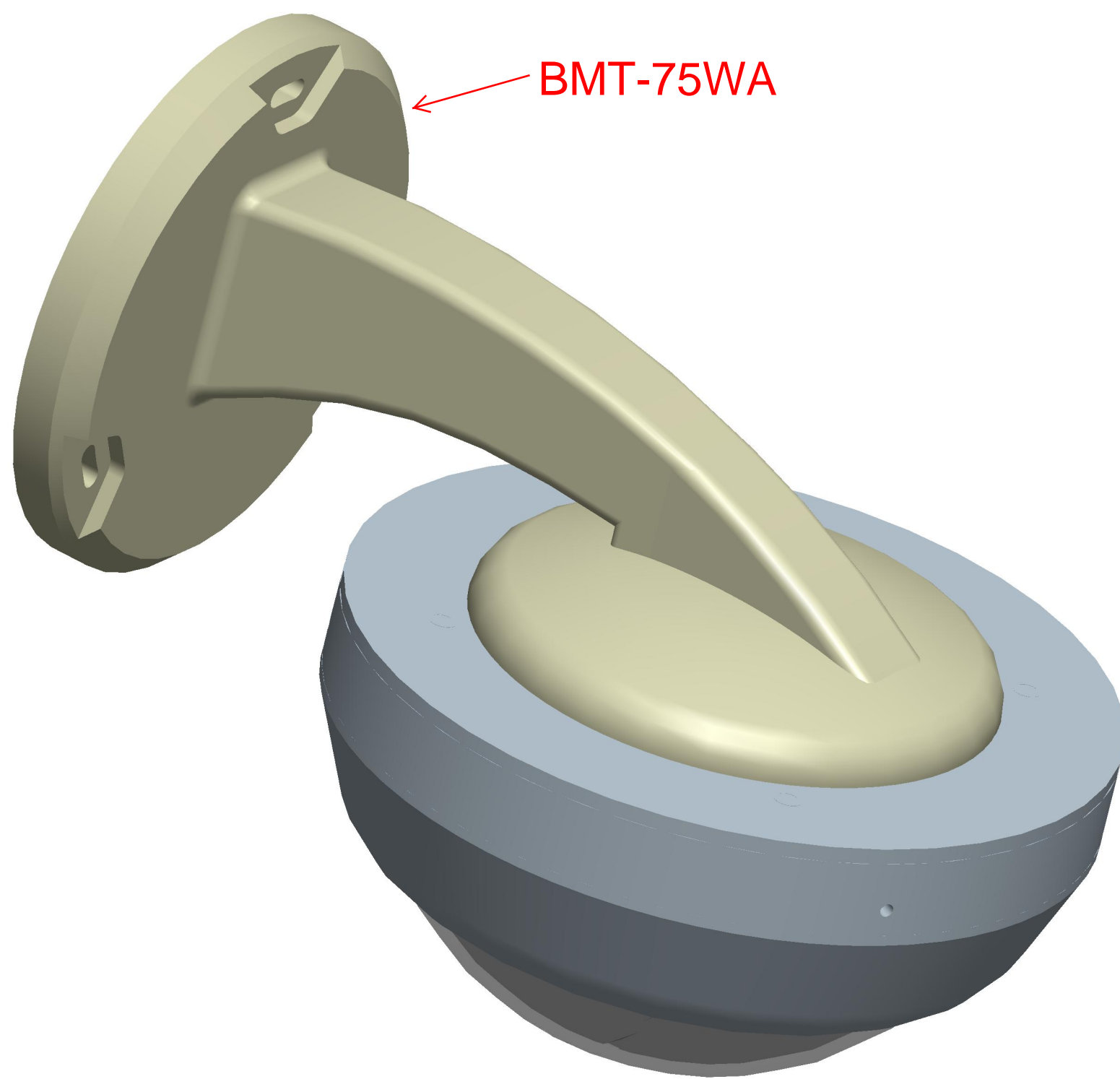


LEFT VIEW



FRONT VIEW



ISO VIEW

REVISIONS:

PART NUMBER: WALL_ARM-MNT	REV: 0 A
------------------------------	-------------

THESE DRAWINGS AND SPECIFICATIONS ARE THE PROPERTY OF AND PROPRIETARY TO BROADSIGHT SYSTEMS INC. AND ARE NOT TO BE DISCLOSED, REPRODUCED, COPIED OR USED AS THE BASIS OF MANUFACTURE OR SALE OF APPARATUS AND /OR DEVICES OR OTHERWISE WITHOUT BSI PRIOR WRITTEN CONSENT.

PG. 1 OF 1

Broadsight Systems INC WINSTON-SALEM, N.C.		DESIGNED BY/DATE: ASP 08/25/16	COMM. CODE:	SCALE: NONE	MODEL:
BSI COMPONENT PARTS ARE ROHS COMPLIANT <input type="checkbox"/>		DRAWN BY/DATE: ASP 08/01/16	DRAWING TITLE: WALL ARM MOUNT BOSCH 360 DOME HOUSING PROJECT		
TOLERANCES: UNLESS SPECIFIED.		CHECKED BY/DATE:	CAGE: 7DJB4		
ALL DIMENSIONS ARE IN INCHES UNLESS OTHERWISE SPECIFIED	0.0 ± .030	SIZE: C	DRAWING NUMBER: WALL_ARM-MNT	REV: 0 A	
	0.00 ± .015				
THIRD ANGLE PROJECTION	0.000 ± .005				
	ANGULAR ± 1/2°				