

INSTALLATION MANUAL – BRMT-G5ENV Series Soffit Mounts

WARNING: Before beginning installation of this product, carefully review the safeguards and precautions found on page 2 of this manual.

Unpacking

Unpack carefully. This is electromechanical equipment and should be handled with care. If an item appears to have been damaged in shipment, replace it properly in its carton and notify the shipper. If any items are missing, notify the shipper. The shipping carton is the safest container in which the unit may be transported. Save it for possible future use.

Service

If the unit ever needs repair service, the customer should contact Chesapeake & Midlantic Marketing for a return materials authorization (RMA) and shipping instructions.

Care and Maintenance

Perform routine maintenance to keep the unit dust free. Clean the dome bubble with mild detergent and a non-abrasive cloth.

Model Designation

BRMT-G5ENV	Soffit Mount for Bosch Autodome™ G5 7000 Series IP 20X DN, 24VAC 3A, No Spacer, White Trim Ring (Camera Not Included)
BRMT-G5ENV-1S	Soffit Mount for Bosch Autodome™ G5 7000 Series IP 20X DN, 24VAC 3A, White Spacer, White Trim Ring (Camera Not Included)

Description

These soffit mounts allow recessed mounting of a Bosch Autodome™ in a ceiling or soffit. The mount is intended for indoor or outdoor applications. The camera (not included) is powered with 24VAC, and a female RJ45 connector provides a video and data IP connection. An optional spacer is pre-installed to offset the camera from the mounting surface.

Hardware Kit

¾" NPT Conduit Plug

Tools Required

Cross Recessed screwdriver
Flat blade screwdriver or drill bit
Appropriate tools to cut out mounting hole

Certification

Installation should be performed by a licensed professional and conform to the National Electrical Code (NEC) and any applicable local codes.

Installation

1. Use template provided to mark installation surface. Cut out the installation surface as needed using appropriate customer-supplied tools.
2. Run a 5-conductor wire and CAT-5e/6 cable to the installation site (minimum) using conduit if required, leaving 8-10" of cable exposed at the installation site.
 1. Power and Data cables are routed through the top of the backbox. Additional camera connections are available. Refer to the included camera manual for available connections, and the Optional Bracket Removal section of this manual to access the wires.
 2. Two (2) ¾" NPT conduit holes are provided in the top of the backbox. One hole is plugged; remove if needed.
3. If not using Spacer, remove toggle bolts (4), remove gasket, remove spacer, replace gasket with adhesive side down, replace toggle bolts (4).

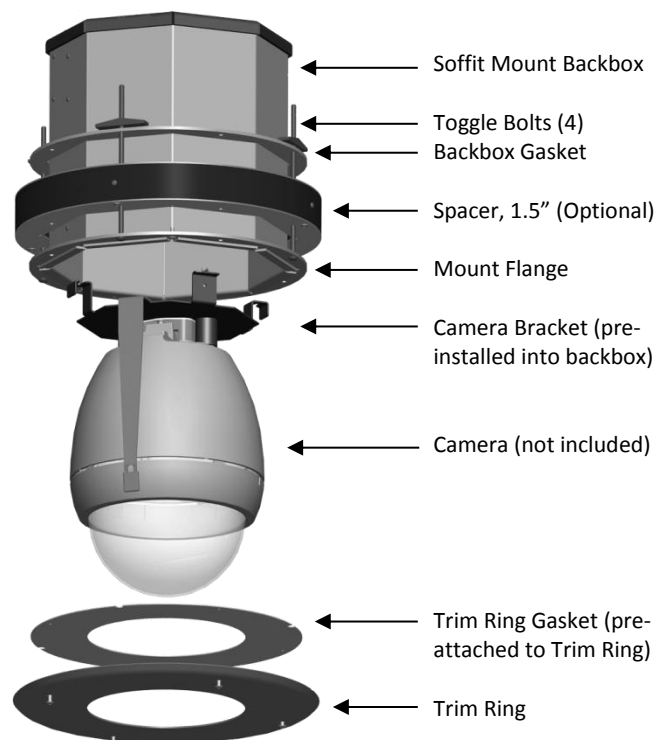



Figure 1 - Soffit Mount Camera - Exploded View

----- Instructions Continue on Page 3 -----

IMPORTANT SAFEGUARDS

1. Read Instructions - All the safety and operating instructions should be read before the unit is operated.
2. Retain Instructions - The safety and operating instructions should be retained for future reference.
3. Heed Warnings - All warnings on the unit and in the operating instructions should be adhered to.
4. Follow Instructions - All operating and use instructions should be followed.
5. Cleaning - Unplug the unit from the outlet before cleaning. Do not use liquid cleaners or aerosol cleaners. Use a damp cloth for cleaning.
6. Attachments - Do not use attachments not recommended by the product manufacturer as they may cause hazards.
7. Accessories - Do not place this unit on an unstable stand, tripod, bracket, or mount. The unit may fall, causing serious injury to a person and serious damage to the unit. Use only with a stand, tripod, bracket, or mount recommended by the manufacturer or sold with the product. Any mounting of the unit should follow the manufacturer's instructions and should use a mounting accessory recommended by the manufacturer.
 An appliance and cart combination should be moved with care. Quick stops, excessive force, and uneven surfaces may cause the appliance and cart combination to overturn.
8. Ventilation - Openings in the enclosure, if any, are provided for ventilation, to ensure reliable operation of the unit, and to protect it from overheating. These openings must not be blocked or covered. This unit should not be placed in a built-in installation unless proper ventilation is provided or the manufacturer's instructions have been adhered to.
9. Power Sources - This unit should be operated only from the type of power source indicated on the marking label. If you are not sure of the type of power supply you plan to use, consult your appliance dealer or local power company. For units intended to operate from battery power or other sources, refer to the operating instructions.
10. Grounding or Polarization - This unit may be equipped with a polarized alternating-current line plug (a plug having one blade wider than the other). This plug will fit into the power outlet only one way. This is a safety feature. If you are unable to insert the plug fully into the outlet, try reversing the plug. If the plug should still fail to fit, contact your electrician to replace your obsolete outlet. Do not defeat the safety purpose of the polarized plug. Alternatively, this unit may be equipped with a 3-wire grounding-type plug, a plug having a third (grounding) pin. This plug will only fit into a grounding-type power outlet. This is a safety feature. If you are unable to insert the plug into the outlet, contact your electrician to replace your obsolete outlet. Do not defeat the safety purpose of the grounding-type plug.
11. Power Cord Protection - Power supply cords should be routed so that they are not likely to be walked on or pinched by items placed upon or against them, paying particular attention to cords and plugs, convenience receptacles, and the point where they exit from the appliance.
12. Power Lines - An outdoor system should not be located in the vicinity of overhead power lines or other electric light or power circuits or where it can fall into such power lines or circuits. When installing an outdoor system, extreme care should be taken to keep from touching such power lines or circuits as contact with them might be fatal. U.S.A. models only - refer to the National Electrical Code Article 820 regarding installation of CATV systems.
13. Overloading - Do not overload outlets and extension cords as this can result in a fire or electric shock.
14. Object and Liquid Entry - Never push objects of any kind into this unit through openings, as they may touch dangerous voltage points or short out parts that could result in a fire or electric shock. Never spill liquid of any kind on the unit.
15. Servicing - Do not attempt to service this unit yourself as opening or removing covers may expose you to dangerous voltage or other hazards. Refer all servicing to qualified service personnel.
16. Damage Requiring Service - Unplug the unit from the outlet and refer servicing to qualified service personnel under the following conditions:
 - a. When the power supply cord or plug is damaged.
 - b. If liquid has been spilled or objects have fallen into the unit.
 - c. If the unit has been exposed to rain or water.
 - d. If the unit does not operate normally by following the operating instructions. Adjust only those controls that are covered by the operating instructions, as an improper adjustment of other controls may result in damage and will often require extensive work by a qualified technician to restore the unit to its normal operation.
 - e. If the unit has been dropped or the cabinet has been damaged.
 - f. When the unit exhibits a distinct change in performance--this indicates a need for service.
17. Replacement Parts - When replacement parts are required, be sure the service technician has used replacement parts specified by the manufacturer or have the same characteristics as the original part. Unauthorized substitutions may result in fire, electric shock, or other hazards.
18. Safety Check - Upon completion of any service or repairs to this unit, ask the service technician to perform safety checks to determine that the unit is in proper operating condition.
19. Coax Grounding - If an outside cable system is connected to the unit, be sure the cable system is grounded. U.S.A. models only--Section 810 of the National Electrical Code, ANSI/NFPA No.70-1981, provides information with respect to proper grounding of the mount and supporting structure, grounding of the coax to a discharge unit, size of grounding conductors, location of discharge unit, connection to grounding electrodes, and requirements for the grounding electrode.
20. Lightning - For added protection of this unit during a lightning storm, or when it is left unattended and unused for long periods of time, unplug it from the wall outlet and disconnect the cable system. This will prevent damage to the unit due to lightning and power line surges.

FCC NOTICE

This equipment generates and uses radio frequency energy and if not installed and used properly, that is, in strict accordance with the manufacturer's instructions, may cause interference to radio and television reception. It has been type tested and found to comply with the limits for a Class B computing device in accordance with Part 15 of FCC Rules, which are designed to provide reasonable protection against such interference in a residential installation. However, there is no guarantee that interference will not occur in a particular installation. If this equipment does cause interference to radio or television reception, which can be determined by turning the equipment off and on, the user is encouraged to try to correct the interference by one or more of the following measures:

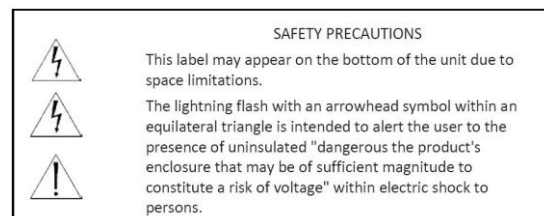
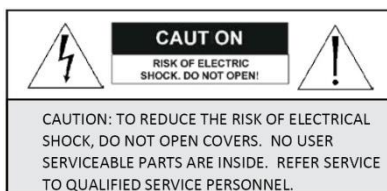
Relocate the monitor away from the TV/radio receiver.

Plug the monitor into a different wall outlet so that the console is on a different branch circuit.

Re-orient the TV/radio antenna.

If necessary, the user should consult the dealer or an experienced radio/television technician for additional suggestions.

NOTE: Changes or modifications to the unit may void FCC compliance.



- The 24VAC power cable is terminated into a 5-pin screw terminal connector. The mating connector is included as a board-mount connector in Bosch 24VAC power supply junction boxes. Alternatively, the 5-pin connector can be removed and the wires can be spliced as needed. The wire designations are provided in Table 1 below.

Connector Description	Wire Color	Function
HTR (1)	White	24VAC Line
HTR (2)	Brown	24VAC Neutral
GND	Orange	Ground
DOME (1)	Green	24VAC Line
DOME (2)	Yellow	24VAC Neutral

Table 1 - Power Cable Wire Designations

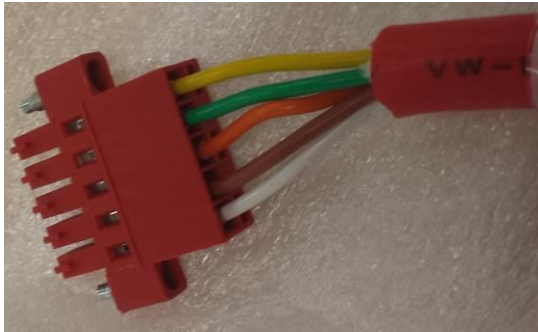


Figure 2 – Wire colors from top to bottom: yellow, green, orange, brown, white

- Remove Trim Ring using cross recessed (Phillips head) screwdriver.
- Adhere the backbox gasket to the Spacer or Mount Flange if used (see Step 3).
- Remove camera bracket by pressing inward on mount legs and turning slightly counterclockwise (see page 4 for clarification).
- Align camera connector with mating connector in camera bracket. Attach camera to bracket using spacer sleeves and Phillips head screws.
- Reinstall camera bracket into backbox (see page 4 for clarification).
- Make power (see Table 1) and video (RJ45) connections.
- The top of the backbox accepts 3/4" NPT conduit connections. Feed excess wire into the conduit or back into the backbox.
- Loosen toggle bolts as needed to raise the toggle bolts to the desired level.
- Raise Backbox up into installation location. Compress toggle bolts and push through until they release and catch.
- Backbox should hang by the toggle bolts. Tighten toggle bolt screws to raise mount until flush with mounting surface. Ensure the Backbox Gasket compresses slightly to provide a good seal.
- Reinstall Trim Ring using cross recessed screws from Step 5.

Spacer Installation (Optional)

- The Spacer is used to offset the camera from the installation surface. It can be removed if desired. The Backbox Gasket is not pre-adhered to the Spacer. If removing the Spacer, refer to Step 3 in the main Installation section.
- If the Spacer has been removed and needs to be reinstalled, refer to Figure 2 to determine the proper orientation before reinstalling. If installed backwards, the screw holes will not line up properly.
- The four (4) holes indicated are threaded for a #6-32 screw. These holes must line up with the corresponding holes in the Backbox Flange.
- The four (4) outer-most holes (next to the painted screws) are for the toggle bolts. If the holes in the previous step line up but the toggle bolt holes do not, the Spacer is upside down. Turn the Spacer over and align holes.
- Remove toggle bolts, fit Spacer around mount, then reinstall toggle bolts. Tighten #6-32 screws to attach Spacer to Mount Flange.



Figure 2 - Spacer Orientation for Re-Installation

Optional Bracket Removal

1. The Autodome can be removed from the backbox if needed to facilitate installation, or for access to additional camera cables.
2. Figure 3 shows a cross-section view of the mount with camera installed.

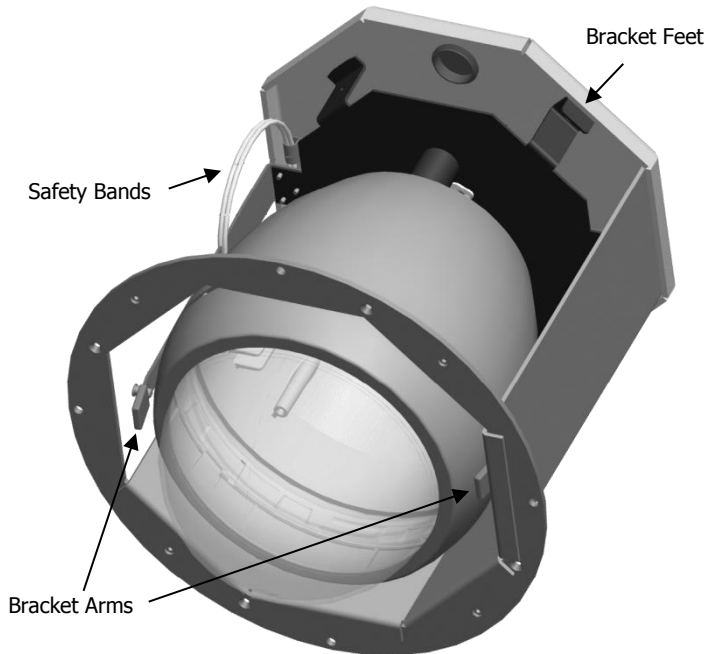


Figure 3 - Cross Section View of Soffit Mount

3. To remove camera, press Bracket Arms Inwards.
4. Rotate camera and bracket counter-clockwise.
5. Mount feet should align with Rails (see Figure 4) and the camera/bracket assembly should slide down out of the backbox.
6. Two Safety Bands are looped around the Bracket Arms. Unhook the Bands from around the Arms to remove camera/bracket assembly from backbox. Loop the Safety Bands around a Stud in the backbox wall (not shown) for easy access when re-installing camera/bracket assembly.
7. Refer to the installation manual that accompanied the camera for information on cables looped at the top of the bracket.

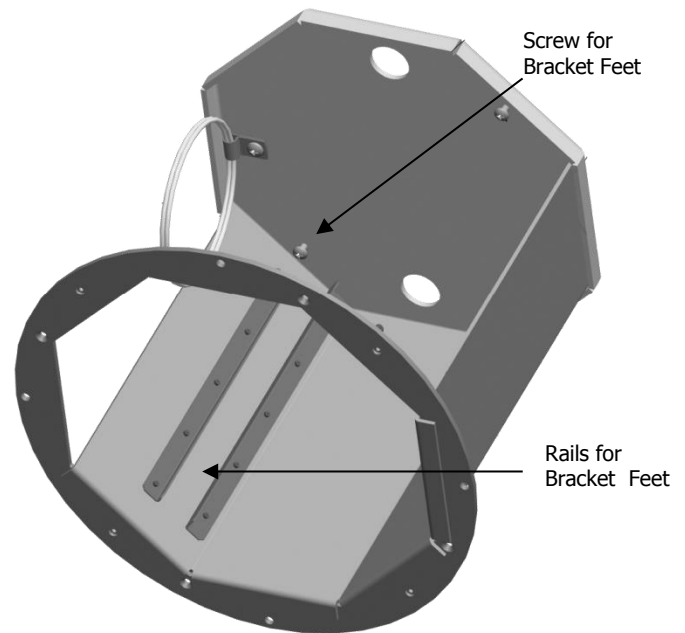


Figure 4 - Cross Section View of Soffit Mount - Camera Removed

8. To reinstall the camera/bracket assembly, locate the Safety Bands. Stretch them out and put one of the Bracket Arms through both bands. This will hold the camera/bracket until properly secured.
9. Identify the Bracket Feet shown in Figure 3. Two of the Feet contain a slot that will attach to the Screw shown in Figure 4. These same Feet will travel down the Rails.
10. Align the Feet with the Rails. Push camera/bracket assembly up into mount.
11. Pull Bracket Arms inward toward camera while rotating clockwise. Bracket Feet will attach to Screw. Release Bracket Arms and ensure the holes near the end of the Bracket Arms are aligned with the Studs (not shown) in the Backbox wall. When properly installed, the Bracket Arms will snap out flush with the Backbox Wall and the Pin will be visible through the Bracket Arms.