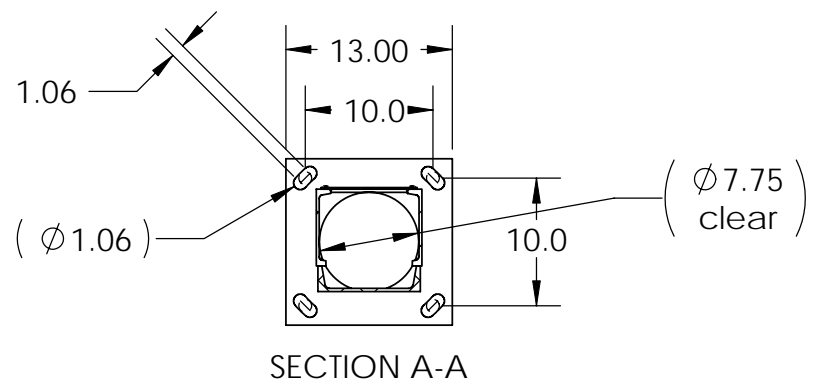
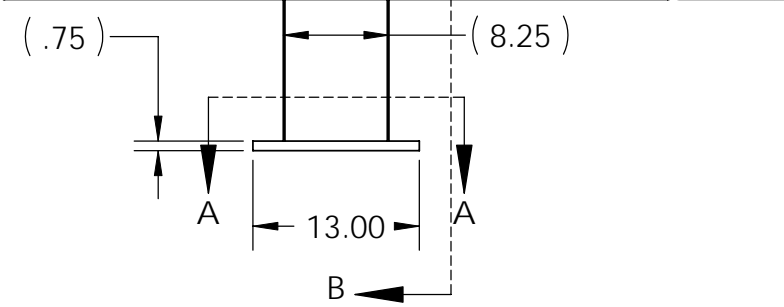
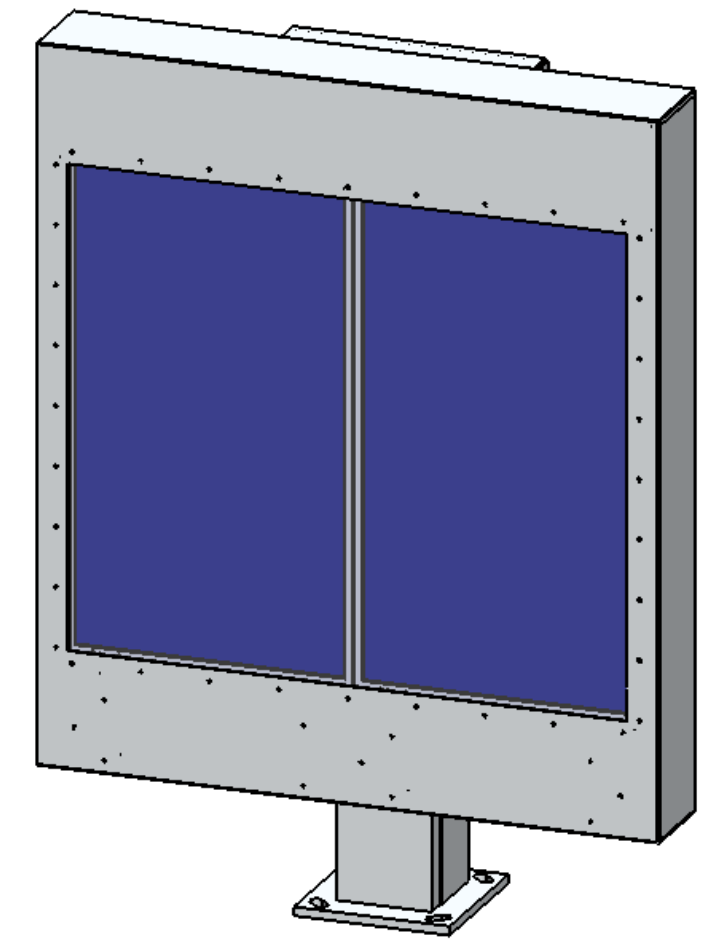
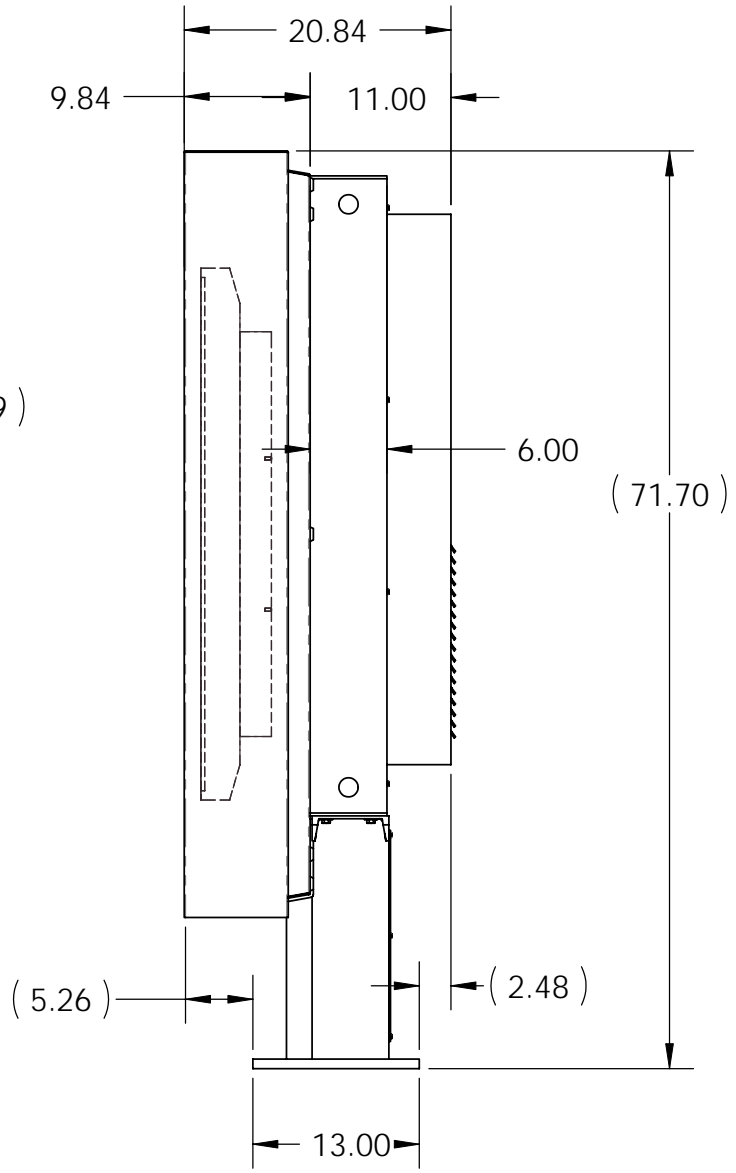
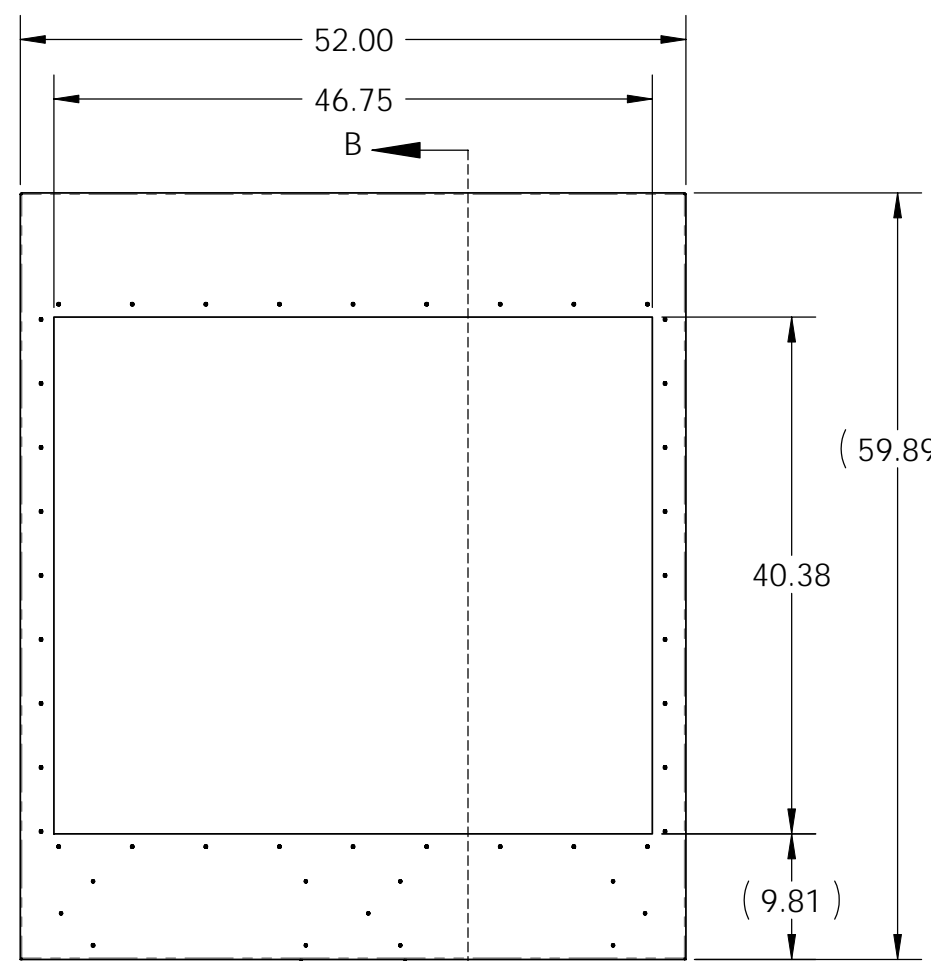


REV	DESCRIPTION	DATE
A	Revised assembly	12/10/2009
B	added sheet 3 footing notes	1/13/2010
C	updated, added installation specs.	5/7/2010



- NOTES:**
- 1) Enclosure body is marine grade aluminum sheet, formed and welded water tight, with a polyester powder paint finish, black in color.
 - 2) Support frame is welded structural aluminum with black polyester powder finish.
 - 3) Pedestal base is welded structural aluminum with black polyester powder finish.
 - 4) The viewing window is laminated glass with antireflective coating on both sides and provides UV protection.
 - 5) Cooling is provided by a rear mounted air conditioner.

PROPRIETARY AND CONFIDENTIAL
 THE INFORMATION CONTAINED IN THIS DRAWING IS THE SOLE PROPERTY OF ITSENCLUSURES. ANY REPRODUCTION IN PART OR AS A WHOLE WITHOUT THE WRITTEN PERMISSION OF ITSENCLUSURES IS PROHIBITED.

UNLESS OTHERWISE SPECIFIED: DIMENSIONS ARE IN INCHES [mm] TOLERANCES: (include finish) ANGULAR: MACH ± .20° BEND ± 1.0° TWO PLACE DECIMAL ± .030 THREE PLACE DECIMAL ± .010 HOLE SIZES .xxx +.010 -.000		DRAWN	NAME	DATE	ITSENCLUSURES TITLE: Enclosure, AC cooled Two portrait, NEC X461HB	
NEXT ASSY	USED ON	CHECKED	eec	9/28/2009		
MODEL #	VSA-2X1-46-P	ENG APPR.				
APPLICATION	DO NOT SCALE DRAWING	MFG APPR.				
		Q.A.				
MATERIAL See BM		COMMENTS:		SIZE	DWG. NO.	REV
FINISH Polyester powder, UV stable				B	DATA-X7210-00	C
				SCALE: 1:15	WEIGHT:	SHEET 1 OF 3

REV.	DESCRIPTION	DATE
-	See Sheet1	-

Application parameters for VSA-2X1-46-P enclosure

VSA-2X1-46-P, display enclosure, UL-listed, Type 3R rating with 8000 BTU cooling

Viewing opening	46" diagonal, 2 Portrait displays
Enclosure assembly outside dimensions.....	52.0" W x 72.0" H x 21.0" D
Video input.....	VGA, DVI, HDMI, (see display specs)
Electrical requirement.....	2 circuits, 120 VAC, 20 Amps
Cooling circuit (load)	12.5 Amps
Electronic circuit (load).....	9.8 Amps
Complete assembly weight, with displays.....	540 Lbs.

Required LCD DISPLAY.....	NEC X461HB (2)
Display dimensions	41.55" W x 23.96" H x 5.51" D
Display brightness, MAX	1500 nit

INSTALLATION ENVIRONMENT

Outdoor locations, with direct solar exposure

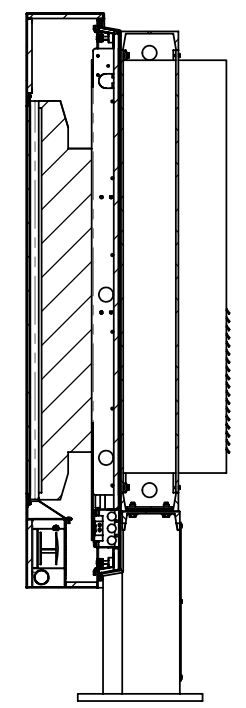
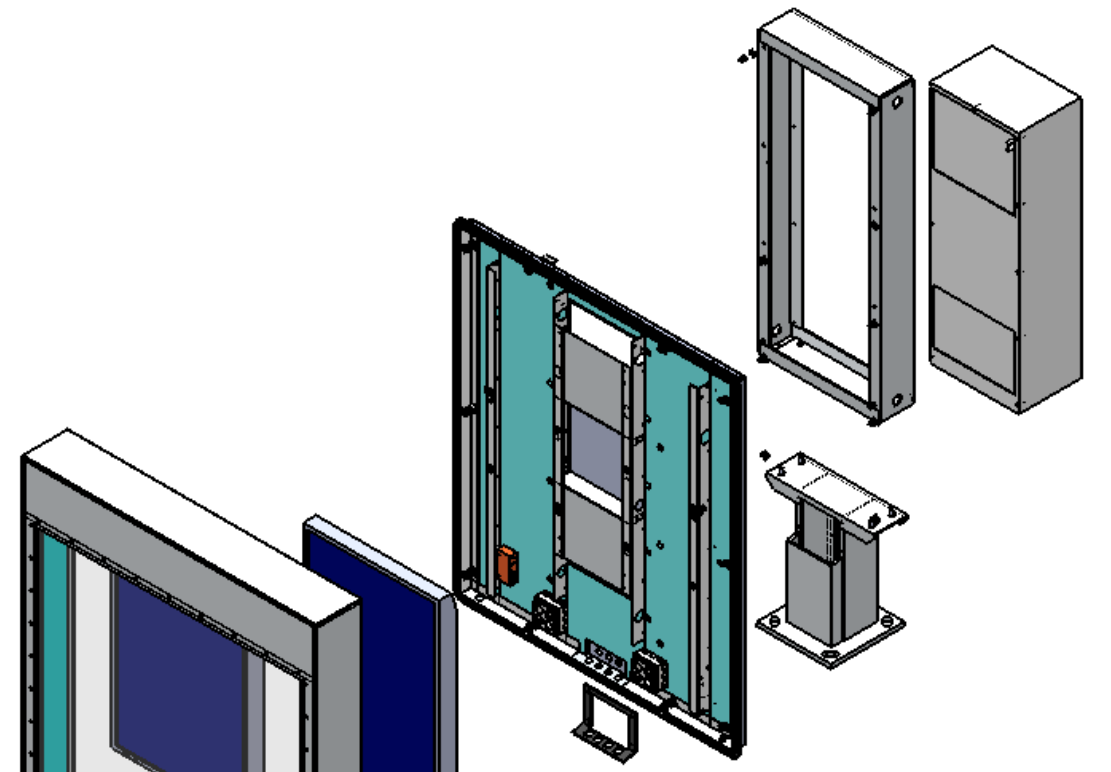
Allowed Ambient Temperature range

VSA-2X1-46-P.....-40° to 41°C (-40° to 105°F)

VSA-2X1-46-Pxx.....(10000 BTU).....-40° to 48°C (-40° to 120°F)

Warranty.....3 years standard on all components
(5 year warranty available)

This enclosure is designed to support the use of "RapidRun" cables and or Cat-5 based extenders for video input with the PC or media player installed **remote** from the enclosure.



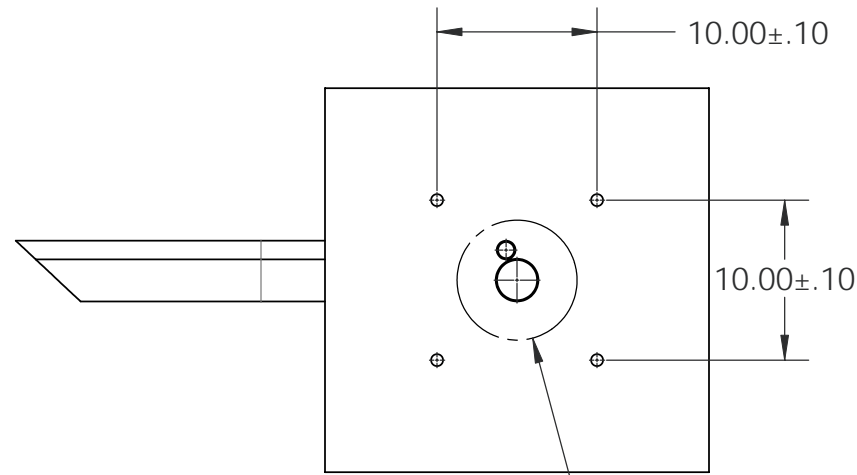
SECTION B-B

PROPRIETARY AND CONFIDENTIAL
THE INFORMATION CONTAINED IN THIS DRAWING IS THE SOLE PROPERTY OF ITSENCLUSURES. ANY REPRODUCTION IN PART OR AS A WHOLE WITHOUT THE WRITTEN PERMISSION OF ITSENCLUSURES IS PROHIBITED.

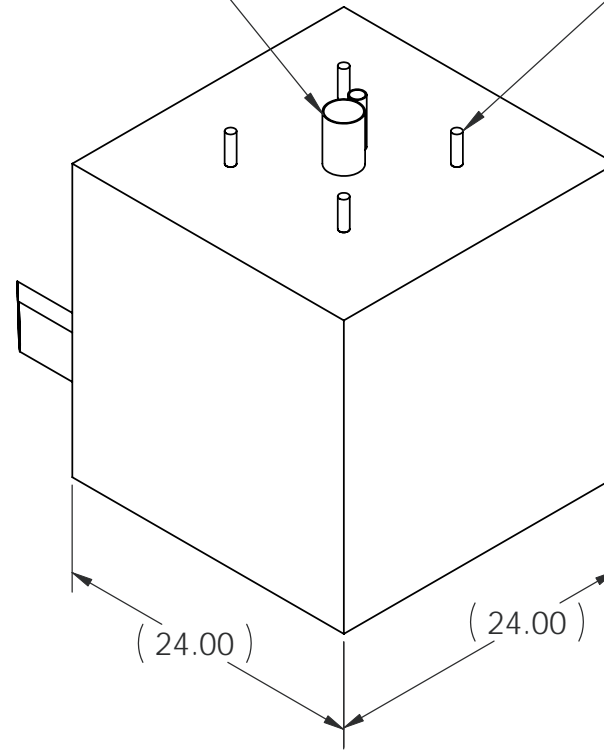
		UNLESS OTHERWISE SPECIFIED: DIMENSIONS ARE IN INCHES [mm] TOLERANCES: (include finish) ANGULAR: MACH ± .20° BEND ± 1.0° TWO PLACE DECIMAL ± .030 THREE PLACE DECIMAL ± .010 HOLE SIZES .xxx +.010 -.000		NAME	DATE	ITSENCLUSURES TITLE: Enclosure, AC cooled Two portrait, NEC X461HB
		DRAWN	eec	9/28/2009		
		CHECKED				
		ENG APPR.				
		MFG APPR.				
		INTERPRET GEOMETRIC TOLERANCING PER:		Q.A.		
NEXT ASSY	USED ON	MATERIAL See BM		COMMENTS:		
MODEL #	VSA-2X1-46-P	FINISH Polyester powder, UV stable		SIZE	DWG. NO.	REV
APPLICATION		DO NOT SCALE DRAWING		B	DATA-X7210-00	C
		SCALE: 1:20	WEIGHT:		SHEET 2 OF 3	

Conduit:
 one power conduit to support (2) 20 amp circuits
 and
 one data conduit (size to support planned video and Cat-5 cables)

3/4" or 7/8" diameter
 steel threaded bolts
 12" deep (4)
 see pattern

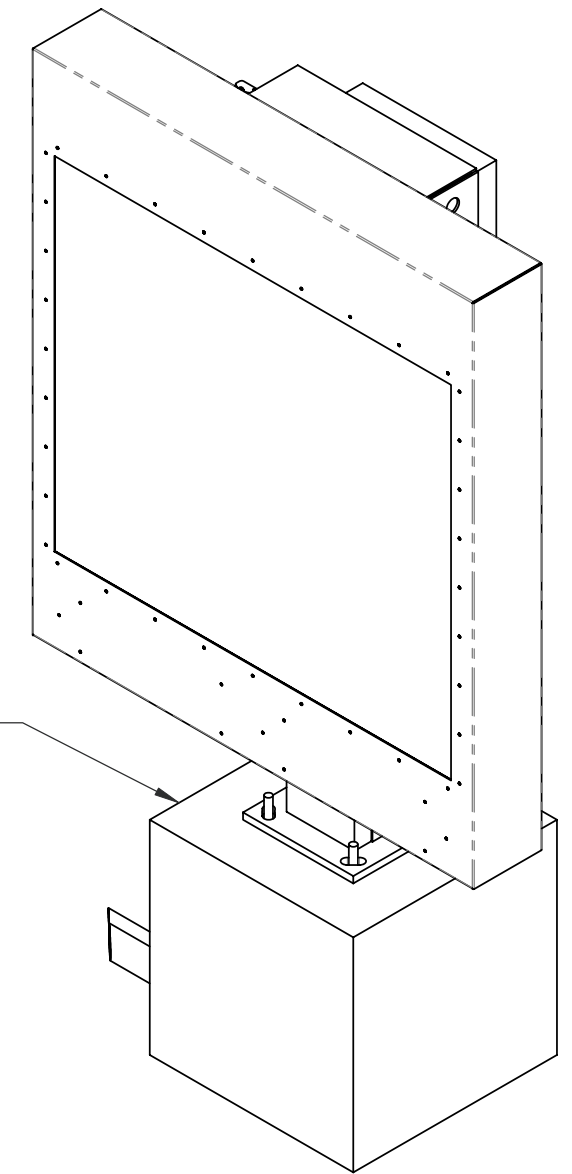


Ø 7.50
 Conduit must protrude within
 a 7-1/2" circle centered in the bolt pattern
 to clear the mounting pedestal

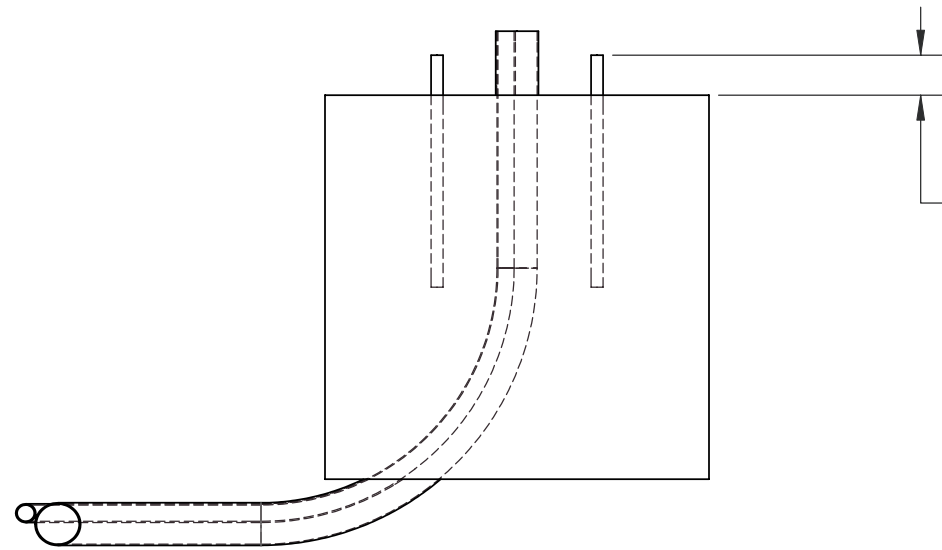


Concrete footing:
 Mass and depth as required
 by local building codes.

Finish pad top at or
 above grade.



2.50 length minimum for attachment direct to concrete surface
 4.00 inch length to allow use of leveling nuts



PROPRIETARY AND CONFIDENTIAL
 THE INFORMATION CONTAINED IN THIS
 DRAWING IS THE SOLE PROPERTY OF
 ITSENCLUSURES. ANY REPRODUCTION IN
 PART OR AS A WHOLE WITHOUT THE
 WRITTEN PERMISSION OF ITSENCLUSURES
 IS PROHIBITED.

		UNLESS OTHERWISE SPECIFIED: DIMENSIONS ARE IN INCHES [mm] TOLERANCES: (include finish) ANGULAR: MACH ± .20° BEND ± 1.0° TWO PLACE DECIMAL ± .030 THREE PLACE DECIMAL ± .010 HOLE SIZES .xxx +.010 -.000		
		INTERPRET GEOMETRIC TOLERANCING PER:		
		MATERIAL See BM		
		FINISH Polyester powder, UV stable		
NEXT ASSY	USED ON			
APPLICATION		DO NOT SCALE DRAWING		

	NAME	DATE
DRAWN	eec	9/28/2009
CHECKED		
ENG APPR.		
MFG APPR.		
Q.A.		
COMMENTS:		

ITSENCLUSURES		
TITLE: Footing notes VSA-2X1-46-P		
SIZE B	DWG. NO. DATA-X7210-00	REV C
SCALE: 1:24	WEIGHT:	SHEET 3 OF 3